



P

# RODUCT SPECIFICATION GUIDE



Member

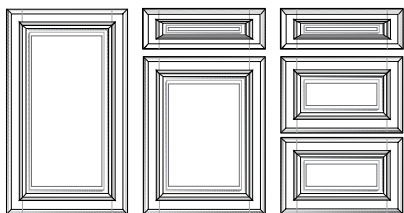
**NKBA**

CARB2  
compliant



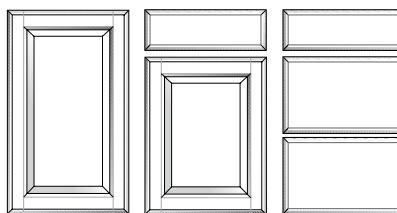
MAY 2011

## Heritage (HCG)



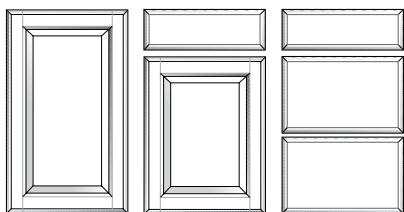
- 3/4" thick, standard overlay solid hardwood frame wall and base doors with solid hardwood square raised center panels and 3/4" wide applied picture frame molding
- 3/4" thick, standard overlay solid hardwood frame drawer fronts with solid hardwood square raised center panels and 3/4" wide applied picture frame molding
- Fully concealed hinges
- Available in Chocolate Glaze finish
- Door and drawer fronts have reverse bevel eliminating the need for decorative hardware if not desired

## Walkington (WLO)



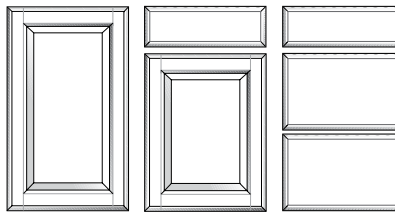
- 3/4" thick, standard overlay solid hardwood frame wall and base doors with solid oak square raised center panels
- 3/4" thick, standard overlay solid hardwood profiled slab drawer fronts
- Fully concealed hinges
- Available in Light Oak finish
- Door and drawer fronts have a finger pull rout eliminating the need for decorative hardware if not desired

## Vermont (VHS)



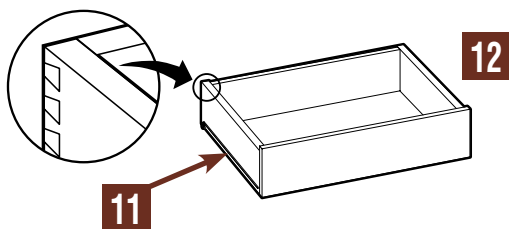
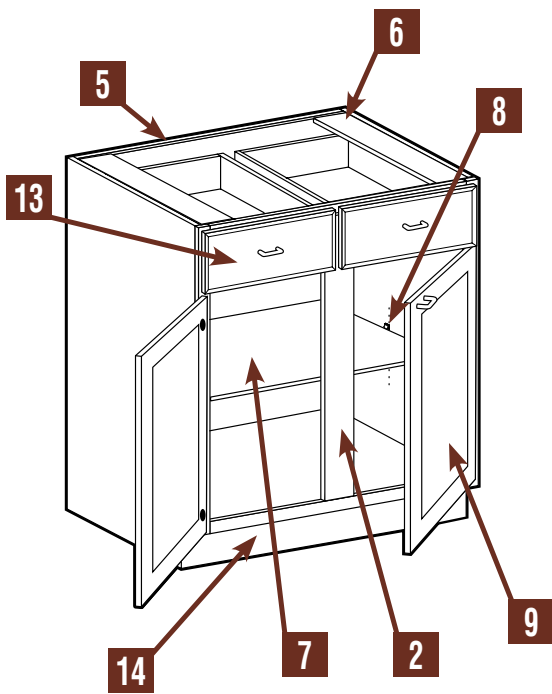
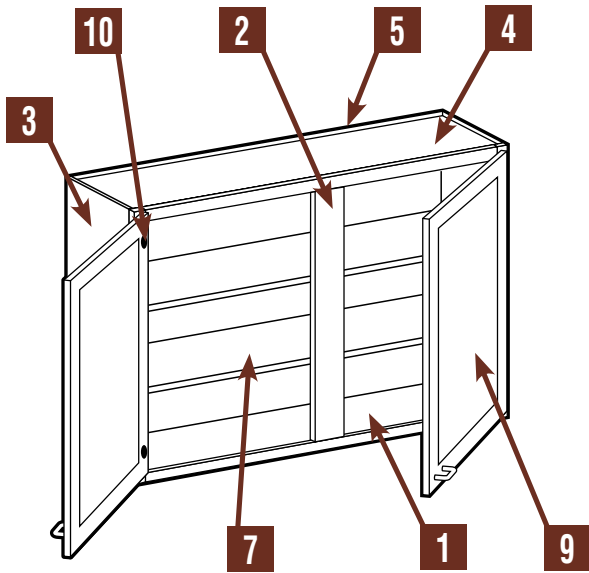
- 3/4" thick, standard overlay solid hardwood frame wall and base doors with solid hardwood square raised center panels
- 3/4" thick, standard overlay solid hardwood profiled slab drawer fronts
- Fully concealed hinges
- Available in Honey Spice finish
- Door and drawer fronts have finger pull rout eliminating the need for decorative hardware if not desired

## Westport (WCN)



- 3/4" thick, standard overlay solid hardwood frame wall and base doors with solid hardwood square raised center panels
- 3/4" thick, standard overlay solid hardwood profiled slab drawer fronts
- Fully concealed hinges
- Available in Cinnamon finish
- Door and drawer fronts have finger pull rout eliminating the need for decorative hardware if not desired

*STANDARD Overlay cabinetry is constructed from various pieces of solid wood/ wood veneers and differences in grain pattern and color should be expected. Color differences in wood are the result of variations in minerals found in the soil native to the tree's origin. Absorption of these minerals will vary by tree or parts of said tree. In addition, color changes can be experienced due to different exposure to light. All species of wood will display characteristics such as knots, pinholes, sap runs, mineral streaks and darkening with age. It is the natural beauty of wood to exhibit these characteristics and they will be present throughout your cabinetry. Our Chocolate Glaze finish features hand applied glaze applied over the base stain which accentuates the door and drawer front profiles. This glazing, combined with occasional fly specks, dents, drips and runs is random and intentional in design to mimic the look of distressed furniture."*

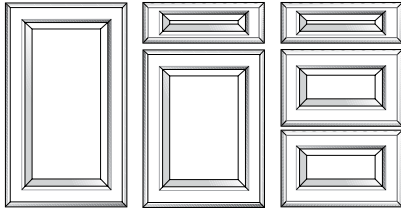


1	<b>INTERIOR</b>	Light maple print laminated to 1/2" thick plywood provides sanitary, wipe clean finish
2	<b>FACE FRAME</b>	3/4" thick solid hardwood doweled and joint glued
3	<b>END PANELS</b>	1/2" thick plywood with light maple print laminated exterior and interior. <b>EXPOSED SIDES REQUIRE FINISHED END PANELS.</b>
4	<b>FLOOR &amp; CEILING</b>	1/2" thick plywood with light maple print laminated both sides captured by end panels
5	<b>BACK</b>	1/2" thick plywood with light maple print laminated one side captured by end panels
6	<b>"I-BEAM" SUPPORTS</b>	1/2" thick plywood, full depth braces provide stability and support for countertop attachment
7	<b>SHELVES</b>	3/4" thick adjustable plywood with light maple print laminated both sides with matching edgebanding. Base shelves are full depth.
8	<b>SHELF SUPPORTS</b>	Clear, high strength plastic with locking top tab to prevent shelf tip. Provides for easy shelf adjustment.
9	<b>DOORS</b>	Stylish doors available in solid hardwood featuring finger pull routing or reverse bevel, eliminating the need for decorative hardware, unless desired. <b>SOFT CLOSE DOOR OPTION AVAILABLE. CONSULT WALL CABINET SECTION OF SPECIFICATION GUIDE FOR DETAILS.</b>
10	<b>HINGES</b>	Fully concealed, 110° opening featuring multiple adjustments for ease of alignment
11	<b>RUNNERS/ GLIDES</b>	Drawers and roll-out trays have epoxy coated, undermount suspension system with 75 lb. load capacity and smooth closing operation. <b>FULL EXTENSION (FX) OPTION IS AVAILABLE. CONSULT BASE CABINET SECTION OF SPECIFICATION GUIDE FOR DETAILS.</b>
12	<b>DRAWERS &amp; ROLL-OUT TRAYS</b>	5/8" thick solid hardwood, four-sided dovetail with 1/4" thick captured plywood floor, all finished with clear top coat to coordinate with cabinet interior
13	<b>DRAWER FRONTS</b>	Stylish drawer fronts available in solid hardwood featuring finger pull routing or reverse bevel, eliminating the need for decorative hardware, unless desired
14	<b>TOE KICK</b>	1/2" thick plywood secured between end panels. Provides solid backing for installation of matching toe kick or other materials such as ceramic, vinyl, etc.



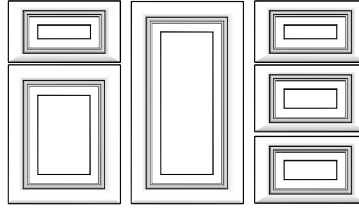
Specifications subject to change without notice.

## Hamilton (HAW)



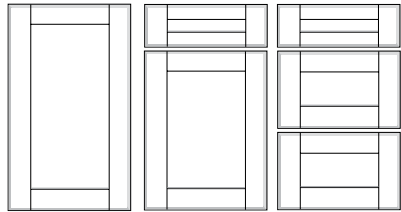
- 3/4" thick, full overlay solid MDF raised panel vinyl clad wall and base doors
- 3/4" thick, full overlay solid MDF raised panel vinyl clad drawer fronts
- Fully concealed hinges
- Available in Arctic White Vinyl
- Decorative hardware required

## Lexington (LCB)



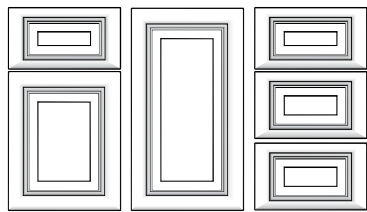
- 3/4" thick, "pillow top" full overlay solid hardwood miter 2 3/4" frame wall and base doors with solid hardwood square raised center panels
- 3/4" thick, "pillow top" full overlay solid hardwood miter 2 3/4" frame drawer fronts with solid hardwood square raised center panels. Top drawer fronts are constructed with 2" stiles and rails.
- Fully concealed hinges
- Available in Cabernet finish
- Decorative hardware required

## Hawthorne (HCN)



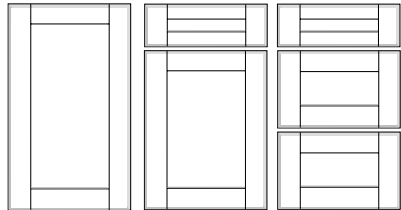
- 3/4" thick, full overlay solid hardwood 3" frame wall and base doors with 5/8" thick solid hardwood square recessed panels
- 3/4" thick full overlay solid hardwood 3" frame drawer fronts with 5/8" thick solid hardwood square recessed center panels
- Fully concealed hinges
- Available in Cinnamon finish
- Decorative hardware required

## Langston (LCN)



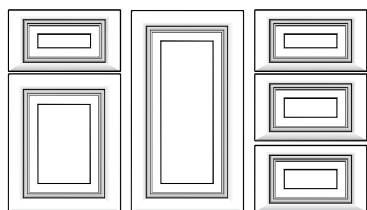
- 3/4" thick, "pillow top" full overlay solid hardwood miter 2 3/4" frame wall and base doors with solid hardwood square raised center panels
- 3/4" thick, "pillow top" full overlay solid hardwood miter 2 3/4" frame drawer fronts with solid hardwood square raised center panels. Top drawer fronts are constructed with 2" stiles and rails.
- Fully concealed hinges
- Available in Cinnamon finish
- Decorative hardware required

## Kenyon (KCB)



- 3/4" thick, full overlay solid hardwood 3" frame wall and base doors with 5/8" thick solid hardwood square recessed panels
- 3/4" thick full overlay solid hardwood 3" frame drawer fronts with 5/8" thick solid hardwood square recessed center panels
- Fully concealed hinges
- Available in Cabernet finish
- Decorative hardware required

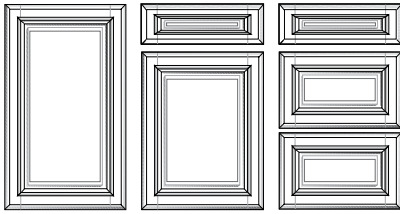
## Lancaster (LTG)



- 3/4" thick, "pillow top" full overlay solid hardwood miter 2 3/4" frame wall and base doors with solid hardwood square raised center panels
- 3/4" thick, "pillow top" full overlay solid hardwood miter 2 3/4" frame drawer fronts with solid hardwood square raised center panels. Top drawer fronts are constructed with 2" stiles and rails.
- Fully concealed hinges
- Available in Toffee Glaze finish
- Decorative hardware required

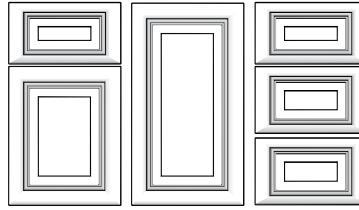
**NEW**

**Haven (HBG)**



- 3/4" thick, full overlay solid hardwood frame wall and base doors with solid hardwood square raised center panels and 3/4" wide applied picture frame molding
- 3/4" thick, full overlay solid hardwood frame drawer fronts with solid hardwood square raised center panels and 3/4" wide applied picture frame molding
- Fully concealed hinges
- Available in Biscuit Glaze finish
- Decorative hardware required

**Ridgeway (RMG)**



- 3/4" thick, "pillow top" full overlay solid hardwood miter 2 3/4" frame wall and base doors with solid hardwood square raised center panels
- 3/4" thick, "pillow top" full overlay solid hardwood miter 2 3/4" frame drawer fronts with solid hardwood square raised center panels. Top drawer fronts are constructed with 2" stiles and rails.
- Fully concealed hinges
- Available in Mocha Glaze finish
- Decorative hardware required

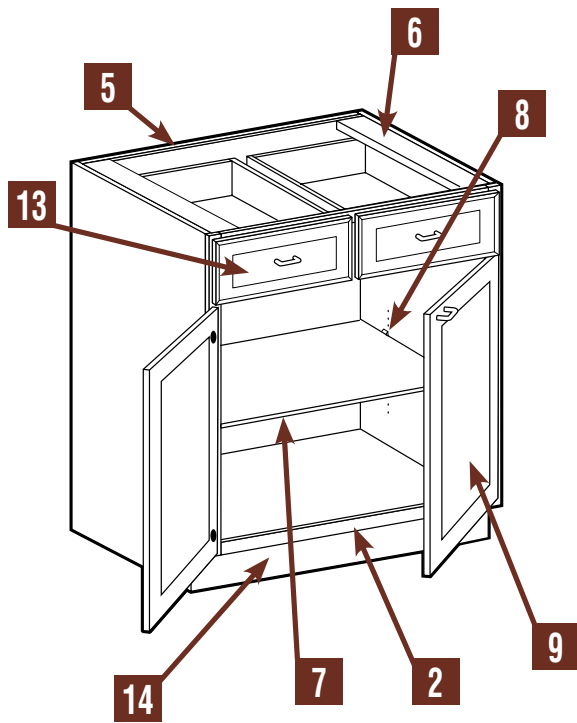
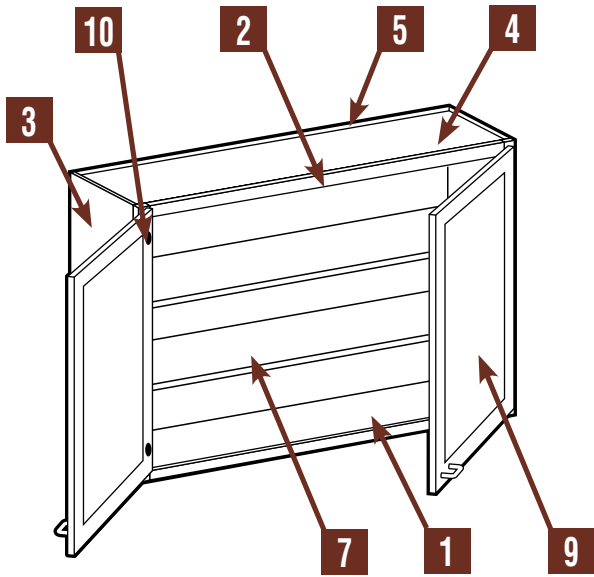
**NEW**

**Fulton (FMG)**

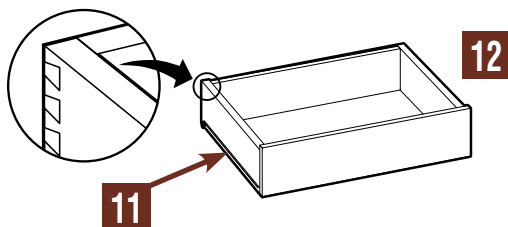


- 3/4" thick, full overlay solid hardwood 3" frame wall and base doors with 5/8" thick solid hardwood square recessed panels
- 3/4" thick full overlay solid hardwood 3" frame drawer fronts with 5/8" thick solid hardwood square recessed center panels
- Fully concealed hinges
- Available in Mocha Glaze finish
- Decorative hardware required

*FULL Overlay cabinetry is constructed from various pieces of solid wood and wood veneers or white PVC on plywood. Differences in grain pattern and color should be expected. Color differences in wood are the result of variations in minerals found in the soil native to the tree's origin. Absorption of these minerals will vary by tree or parts of said tree. In addition, color changes can be experienced due to different exposure to light. All species of wood will display characteristics such as knots, pinholes, sap runs, mineral streaks and darkening with age. It is the natural beauty of wood to exhibit these characteristics and they will be present throughout your cabinetry. Our Toffee Glaze finish features hand applied glaze applied over the base stain which accentuates the door and drawer front profiles. This glazing, combined with occasional fly specks, dents, drips and runs is random and intentional in design to mimic the look of distressed furniture. The Arctic White finished product features solid wood painted face frames. As with any painted wood surface, expansion and contraction with changes in climate may cause fractures in the paint surface at joints. This is an acceptable characteristic and will vary based on climate conditions. In addition, there may be a slight color shift over time due to continued exposure to both natural and artificial light."*



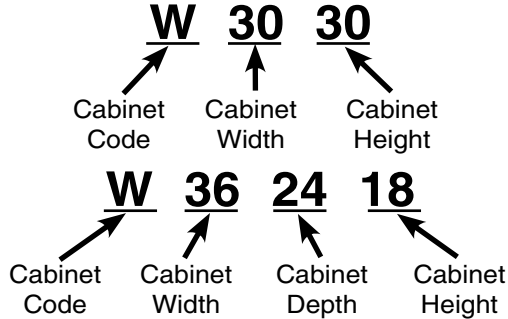
1	<b>INTERIOR</b>	Light maple print laminated to 1/2" thick plywood provides sanitary, wipe clean finish
2	<b>FACE FRAME</b>	3/4" thick solid hardwood doweled and joint glued
3	<b>END PANELS</b>	1/2" thick plywood with light maple print laminated exterior and interior. <b>EXPOSED SIDES REQUIRE FINISHED END PANELS.</b>
4	<b>FLOOR &amp; CEILING</b>	1/2" thick plywood with light maple print laminated both sides captured by end panels
5	<b>BACK</b>	1/2" thick plywood with light maple print laminated one side captured by end panels
6	<b>"I-BEAM" SUPPORTS</b>	1/2" thick plywood, full depth braces provide stability and support for countertop attachment
7	<b>SHELVES</b>	3/4" thick adjustable plywood with light maple print laminated both sides with matching edgebanding. Base shelves are full depth.
8	<b>SHELF SUPPOTS</b>	Clear, high strength plastic with locking top tab to prevent shelf tip. Provides for easy shelf adjustment.
9	<b>DOORS</b>	Stylish full overlay doors available in solid hardwood and white. <b>SOFT CLOSE DOOR OPTION AVAILABLE. CONSULT WALL CABINET SECTION OF SPECIFICATION GUIDE FOR DETAILS.</b>
10	<b>HINGES</b>	Fully concealed, 110° opening featuring multiple adjustments for ease of alignment.
11	<b>RUNNERS/ GLIDES</b>	Drawers and roll-out trays have epoxy coated, undermount suspension system with 75 lb. load capacity and smooth closing operation. <b>FULL EXTENSION (FX) OPTION IS AVAILABLE. CONSULT BASE CABINET SECTION OF SPECIFICATION GUIDE FOR DETAILS.</b>
12	<b>DRAWERS &amp; ROLL-OUT TRAYS</b>	5/8" thick solid hardwood, four-sided dovetail with 1/4" thick captured plywood floor, all finished with clear top coat to coordinate with cabinet interior.
13	<b>DRAWER FRONTS</b>	Stylish full overlay drawer fronts available in solid hardwood and white.
14	<b>TOE KICK</b>	1/2" thick plywood secured between end panels. Provides solid backing for installation of matching toe kick or other materials such as ceramic, vinyl, etc.



Specifications subject to change without notice.

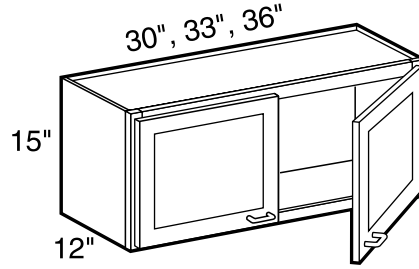
**WALL CABINET CODING**

Note: Standard wall cabinets are 12" deep. Refrigerator wall cabinets are 24" deep. Add door thickness for total depth. All end panels are light maple print finish. **Any exposed end panels require finished ends or matching end panels to be ordered.**



**SPECIFICATION DRAWINGS DEPICT FULL OVERLAY PRODUCTS. STANDARD OVERLAY FEATURE CENTER STILES IN CABINETS 30" AND WIDER.**

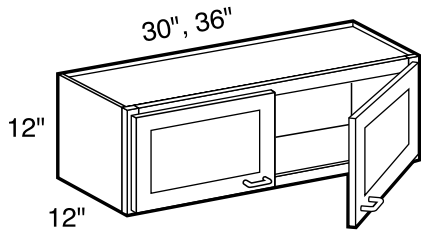
**15" High Double Door**



**W3015  
W3315  
W3615**

- No shelf
- Available in Standard & Full Overlay door styles

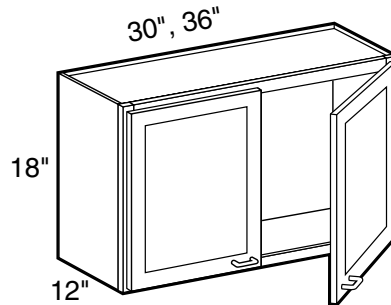
**12" High Double Door**



**W3012  
W3612**

- No shelf
- Available in Standard & Full Overlay door styles

**18" High Double Door**

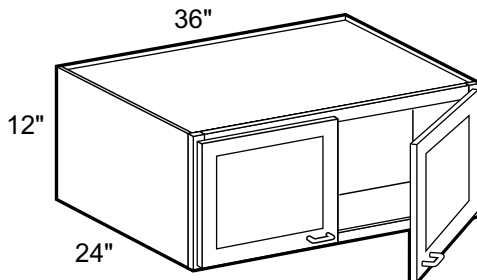


**W3018  
W3618**

- No shelf
- Available in Standard & Full Overlay door styles

**12" High Double Door**

**NEW**

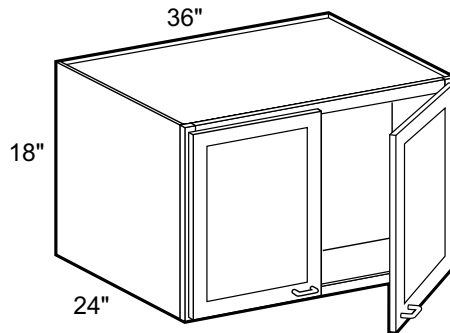


**W302412  
W362412**

- No shelf
- Must be installed between two cabinets, wall and cabinet or supported by refrigerator panels (RP)
- Available in Standard (except WLO & VHS) & Full Overlay door styles

**18" High Double Door**

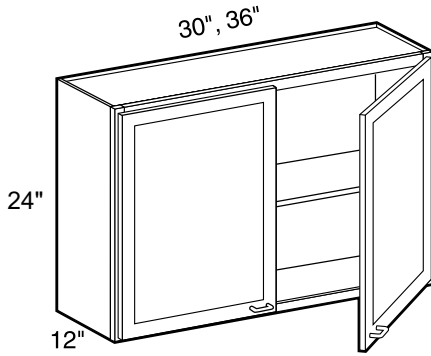
**NEW**



**W302418  
W362418**

- No shelf
- Must be installed between two cabinets, wall and cabinet or supported by refrigerator panels (RP)
- Available in Full Overlay door styles only

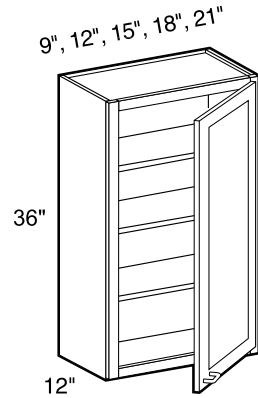
**24" High Double Door**



**W3024  
W3624**

- One adjustable shelf
- Available in Standard & Full Overlay door styles

**36" High Single Door**

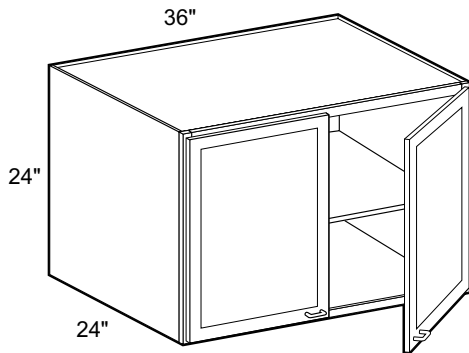


**SPECIFY R or L**

**W0936  
\*W1236  
\*W1536  
\*W1836  
W2136**

- Three adjustable shelves
- \*Mullion doors available in select styles. Consult availability guide on page 6.
- Available in Full Overlay door styles only

**24" High Double Door**

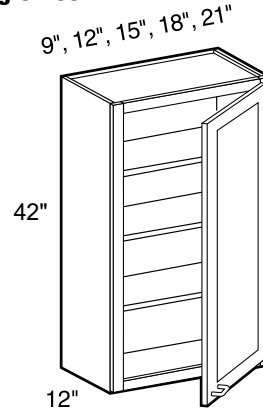


**W302424  
W362424**

- One adjustable shelf
- Must be installed between two cabinets, wall and cabinet or supported by refrigerator panels (RP)
- Available in Standard (except WLO & VHS) & Full Overlay door styles

**NEW**

**42" High Single Door**

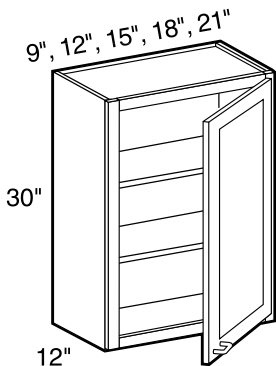


**SPECIFY R or L**

**W0942  
\*W1242  
\*W1542  
\*W1842  
W2142**

- Three adjustable shelves
- \*Mullion doors available in select styles. Consult availability guide on page 6.
- Available in Standard & Full Overlay door styles

**30" High Single Door**

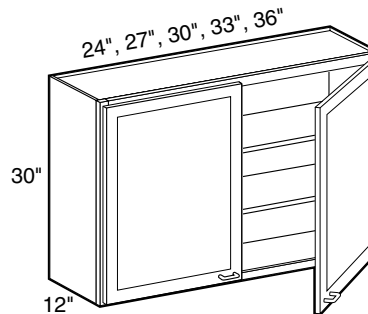


**SPECIFY R or L**

**W0930  
\*W1230  
\*W1530  
\*W1830  
W2130**

- Two adjustable shelves
- \*Mullion doors available in select styles. Consult availability guide on page 6.
- Available in Standard & Full Overlay door styles

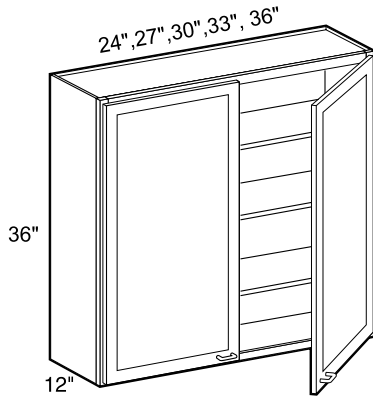
**30" High Double Door**



**\*W2430  
W2730  
\*W3030  
W3330  
\*W3630**

- Two adjustable shelves
- \*Mullion doors available in select styles. Consult availability guide on page 6.
- Available in Standard & Full Overlay door styles

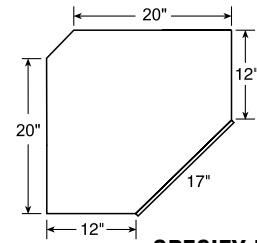
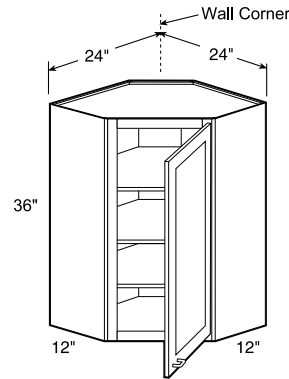
**36" High Double Door**



- \*W2436**
- W2736**
- \*W3036**
- W3336**
- \*W3636**

- Two adjustable shelves
- \*Mullion doors available in select styles. Consult availability guide on page 6.
- Available in Full Overlay door styles only

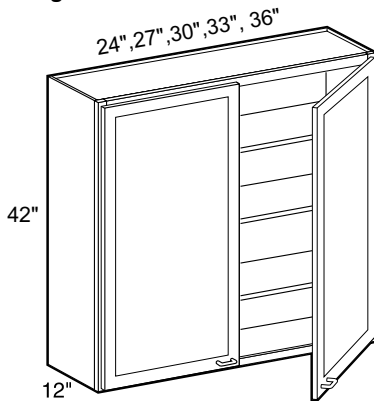
**36" High Wall Angle**



**SPECIFY R or L  
\*WA2436**

- Three adjustable shelves
- \*Mullion doors available in select styles. Consult availability guide on page 6.
- Clip corner back provides clearance for installation
- Available in Full Overlay door styles only

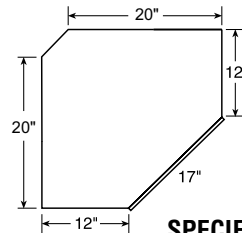
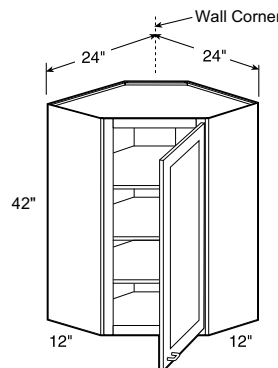
**42" High Double Door**



- \*W2442**
- W2742**
- \*W3042**
- W3342**
- \*W3642**

- Three adjustable shelves
- \*Mullion doors available in select styles. Consult availability guide on page 6.
- Available in Standard & Full Overlay door styles

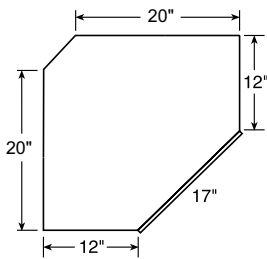
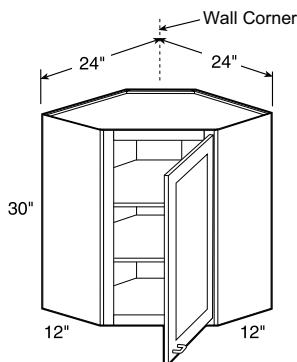
**42" High Wall Angle**



**SPECIFY R or L  
\*WA2442**

- Three adjustable shelves
- \*Mullion doors available in select styles. Consult availability guide on page 6.
- Clip corner back provides clearance for installation
- Available in Standard & Full Overlay door styles

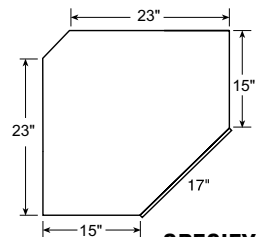
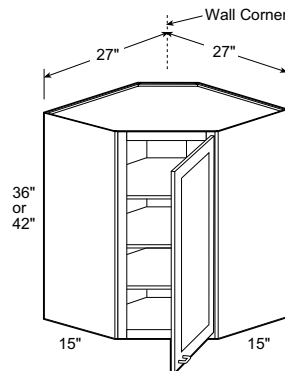
**30" High Wall Angle**



**SPECIFY R or L  
\*WA2430**

- Two adjustable shelves
- \*Mullion doors available in select styles. Consult availability guide on page 6.
- Clip corner back provides clearance for installation
- Available in Standard & Full Overlay door styles

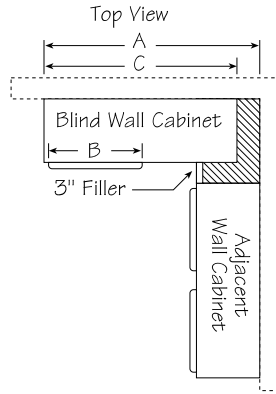
**36" & 42" High 15" Deep Wall Angle**



**SPECIFY R or L  
\*WA271536  
\*WA271542**

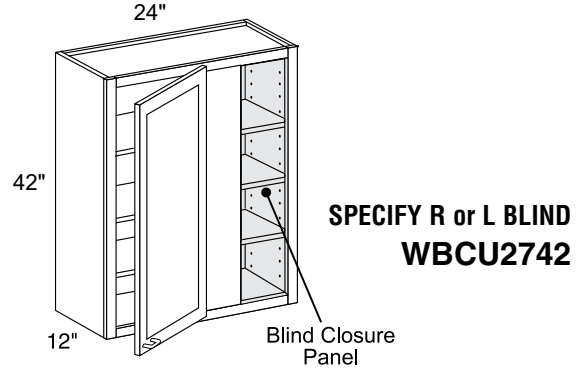
- Three adjustable shelves
- \*Mullion doors available in select styles. Consult availability guide on page 6.
- Clip corner back provides clearance for installation
- Available in Full Overlay door styles only

**Blind Installation Guide**



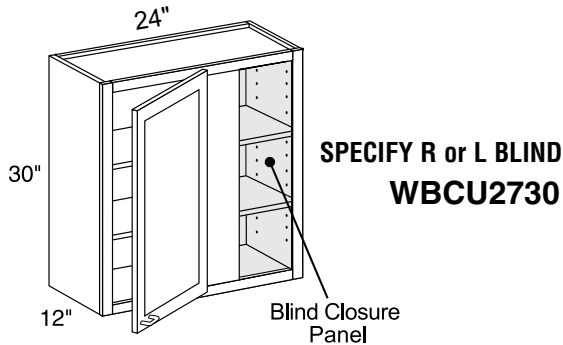
BLIND WALL INSTALLATION GUIDE								
Cabinet	STANDARD OVERLAY			FULL OVERLAY				
	Wall Space "A"	Door Opening	Cabinet	Wall Space "A"	Door Opening	Cabinet		
	Min	Max	Width "B"	Min	Max	Width "B"	Width "C"	
WBCU2730	24"	30"	8 7/8"	24"	25"	30"	8 7/8"	24"
WBCU2742	24"	30"	8 7/8"	24"	25"	30"	8 7/8"	24"

**42" High Wall Blind Corner**



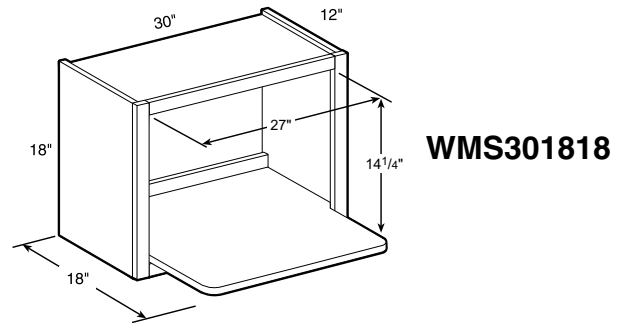
- Three adjustable shelves
- Indicate R or L for blind side (right shown)
- Cabinet can be pulled for exact fit (see installation chart)
- 3" filler & 1/8" blind closure panel included
- Available in Standard & Full Overlay door styles

**30" High Wall Blind Corner**



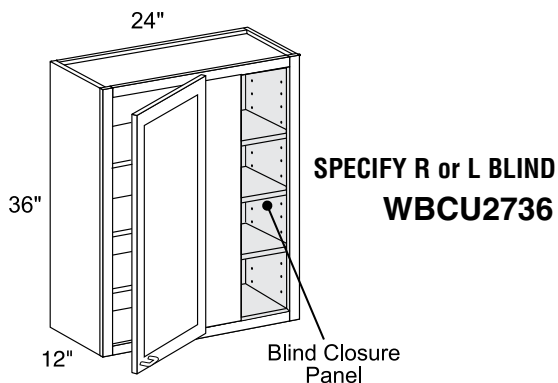
- Two adjustable shelves
- Indicate R or L for blind side (right shown)
- Cabinet can be pulled for exact fit (see installation chart)
- 3" filler & 1/8" blind closure panel included
- Available in Standard & Full Overlay door styles

**Wall Microwave Shelf**



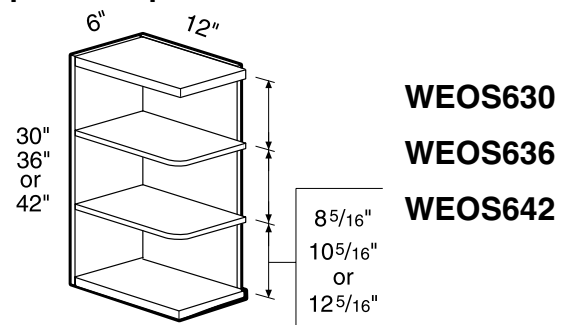
- Matching interior and exterior standard
- Must be installed between two cabinets or cabinet and wall
- Available in Standard & Full Overlay door styles

**36" High Wall Blind Corner**



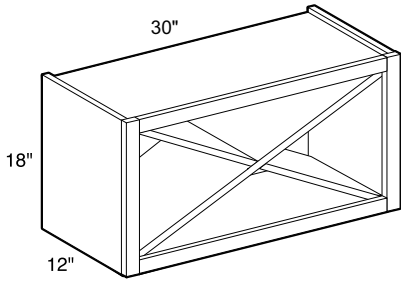
- Three adjustable shelves
- Indicate R or L for blind side (right shown)
- Cabinet can be pulled for exact fit (see installation chart)
- 3" filler & 1/8" blind closure panel included
- Available in Full Overlay door styles only

**12" Deep Wall End Open Shelf**



- Reversible, may be installed left or right
- 1/4" thick wood veneer side and 1/2" thick wood veneer back panel
- 1 1/4" thick solid wood square corner top and bottom shelves
- 3/4" thick solid wood intermediate shelves
- WEOS630 & WEOS642 available in Standard & Full Overlay door styles
- WEOS636 available in Full Overlay door styles only

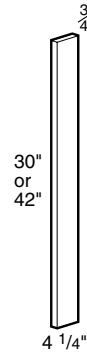
**12" Deep Wine Rack**



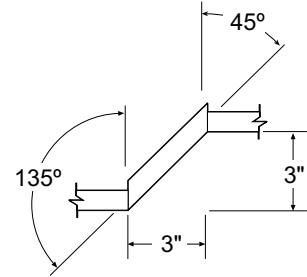
**WRX3018**

- Matching interior and exterior standard
- 3/4" thick solid wood "X" shelf
- Must be installed between two cabinets or cabinet and wall
- Available in Standard & Full Overlay door styles

**Angle Fillers**

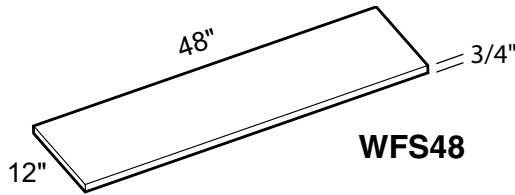


**AF330  
AF342**



- 3/4" thick solid wood
- Face and all edges finished
- Available in Standard & Full Overlay door styles

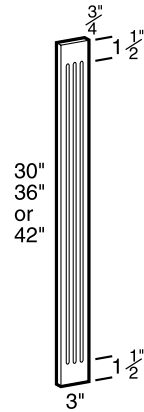
**Wood Furniture Shelf**



**WFS48**

- 3/4" plywood with veneer or white vinyl finish
- Two long sides edgebanded
- Available in Standard & Full Overlay door styles

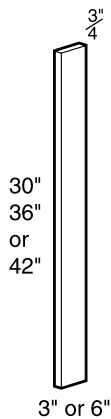
**Fluted Fillers**



**FF330  
FF336  
FF342**

- 3/4" thick solid wood
- Face and all edges finished
- May be trimmed 1/2" each side
- 30" Available in Standard & Full Overlay (except HAW) door styles
- 36" available in Full Overlay (except HAW) door styles only
- 42" Available in Standard & Full Overlay (except HAW) door styles

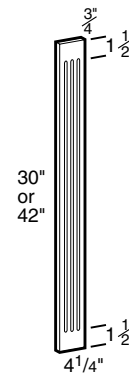
**Filler Strips**



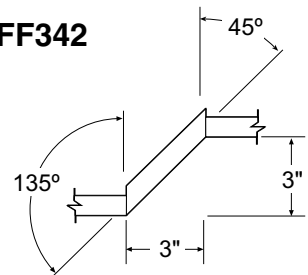
**FS30  
FS36  
FS42  
  
FS630  
FS636  
FS642**

- 3/4" thick solid wood
- Face and all edges finished
- 30" & 42" Available in Standard & Full Overlay door styles
- 36" available in Full Overlay door styles only

**Angle Fluted Fillers**

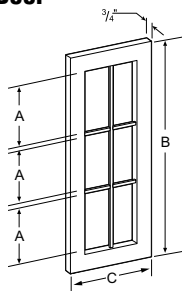


**AFF330  
AFF342**

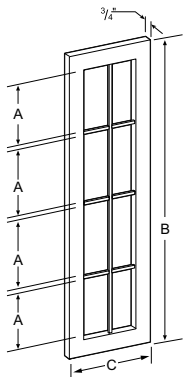


- 3/4" thick solid wood
- Face and all edges finished
- Available in Standard (except WLO & VHS) & Full Overlay (except HAW) door styles

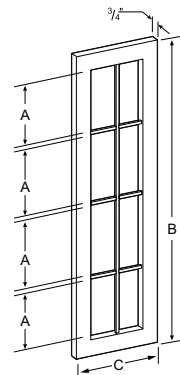
## Mullion Door



MD1230  
MD1530  
MD1830  
MD2430WD



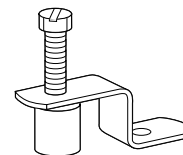
MD1236  
MD1536  
MD1836



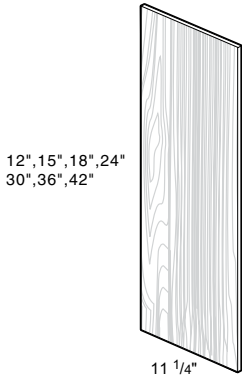
MD1242  
MD1542  
MD1842  
MD2442WD

MULLION DOOR SPECIFICATION, AVAILABILITY & USAGE GUIDE											
SKU	STANDARD OVERLAY				FULL OVERLAY				DESIGNED FOR	QTY.	AVAILABILITY NOTE: MULLION DOORS MAY NOT BE USED ON ANY OTHER CABINET BRANDS
	# OF LITES	DIMENSIONS (inches) A B C			# OF LITES	DIMENSIONS (inches) A B C					
MD1230	6	7-1/2	27-3/4	9-3/4	6	8	29-11/16	11-11/16	W1230	1	Standard & Full Overlay (except HAW)
MD1230	N/A	N/A	N/A	N/A	6	8	29-11/16	11-11/16	W2430	2	Full Overlay Only (except HAW)
MD1530	6	7-1/2	27-3/4	12-3/4	6	8	29-11/16	14-11/16	W1530	1	Standard & Full Overlay (except HAW)
MD1530	6	7-1/2	27-3/4	12-3/4	6	8	29-11/16	14-11/16	W3030	2	Standard & Full Overlay (except HAW)
MD1530	N/A	N/A	N/A	N/A	6	8	29-11/16	14-11/16	WA2430	1	Full Overlay Only (except HAW)
MD1830	6	7-1/2	27-3/4	15-3/4	6	8	29-11/16	17-11/16	W1830	1	Standard & Full Overlay (except HAW)
MD1830	6	7-1/2	27-3/4	15-3/4	6	8	29-11/16	17-11/16	W3630	2	Standard & Full Overlay (except HAW)
MD2430WD	6	7-1/2	27-3/4	14-3/4	N/A	N/A	N/A	N/A	WA2430	1	Standard Overlay Only
MD1236	N/A	N/A	N/A	N/A	8	7-1/2	35-11/16	11-11/16	W1236	1	Full Overlay (except HAW) Only
MD1236	N/A	N/A	N/A	N/A	8	7-1/2	35-11/16	11-11/16	W2436	2	Full Overlay (except HAW) Only
MD1536	N/A	N/A	N/A	N/A	8	7-1/2	35-11/16	14-11/16	W1536	1	Full Overlay (except HAW) Only
MD1536	N/A	N/A	N/A	N/A	8	7-1/2	35-11/16	14-11/16	W3036	2	Full Overlay (except HAW) Only
MD1536	N/A	N/A	N/A	N/A	8	7-1/2	35-11/16	14-11/16	WA2436, WA271536	1	Full Overlay (except HAW) Only
MD1836	N/A	N/A	N/A	N/A	8	7-1/2	35-11/16	17-11/16	W1836	1	Full Overlay (except HAW) Only
MD1836	N/A	N/A	N/A	N/A	8	7-1/2	35-11/16	17-11/16	W3636	2	Full Overlay (except HAW) Only
MD1242	8	8-1/4	39-3/4	9-3/4	8	8-3/4	41-11/16	11-11/16	W1242	1	Standard & Full Overlay (except HAW)
MD1242	N/A	N/A	N/A	N/A	8	8-3/4	41-11/16	11-11/16	W2442	2	Full Overlay Only (except HAW)
MD1542	8	8-1/4	39-3/4	9-3/4	8	8-3/4	41-11/16	14-11/16	W1542	1	Standard & Full Overlay (except HAW)
MD1542	8	8-1/4	39-3/4	12-3/4	8	8-3/4	41-11/16	14-11/16	W3042	2	Standard & Full Overlay (except HAW)
MD1542	N/A	N/A	N/A	N/A	8	8-3/4	41-11/16	14-11/16	WA2442, WA271542	1	Full Overlay Only (except HAW)
MD1842	8	8-1/4	39-3/4	15-3/4	8	8-3/4	41-11/16	17-11/16	W1842	1	Standard & Full Overlay (except HAW)
MD1842	8	8-1/4	39-3/4	15-3/4	8	8-3/4	41-11/16	17-11/16	W3642	2	Standard & Full Overlay (except HAW)
MD2442WD	8	8-1/4	39-3/4	14-3/4	N/A	N/A	N/A	N/A	WA2442	1	Standard Overlay Only

- 3/4" door frame with outside profile matching selected door style
- Frame rout accepts various thickness decorative glass
- Full overlay mullion doors are slightly smaller in width than standard full overlay doors. When used in double door applications (24", 30" & 36" wide cabinets), hinge spacers are included to insure proper door alignment.
- Glass is NOT included and must be supplied by customer. Tempered glass is recommended.
- Local glass shops have extensive glass offerings in clear, frosted, seedy and custom leaded
- Door insert clips included for field installation



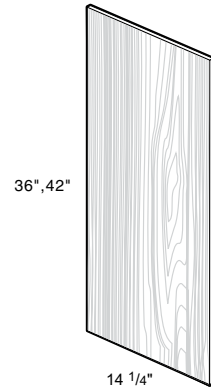
**12" Wide Wall Skin**



- WSK1212**
- WSK1215**
- WSK1218**
- WSK1224**
- WSK1230**
- WSK1236**
- WSK1242**

- 3/16" thick laminated matching exterior
- Field modified and installed
- Available in all finishes

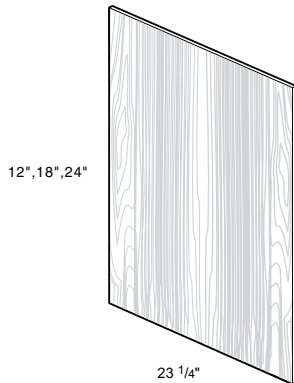
**15" Wide Wall Skin**



- WSK1536**
- WSK1542**

- 3/16" thick laminated matching exterior
- Field modified and installed
- Available in all finishes

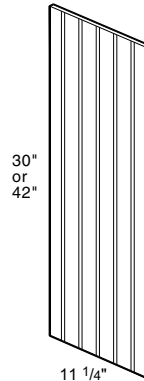
**24" Wide Wall Skin**



- WSK2412**
- WSK2418**
- WSK2424**

- 3/16" thick laminated matching exterior
- Field modified and installed
- Available in all finishes

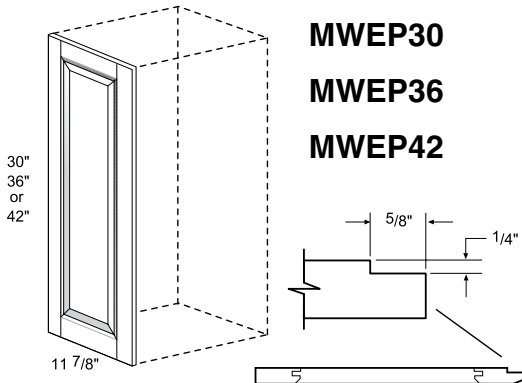
**Wall V-Groove Skin**



- WVGSK30**
- WVGSK42**

- 3/16" thick wood veneer v-groove exterior
- Grooves spaced 1 1/4" on center
- Field modified and installed
- Available in all finished except WLO, VHS and HAW

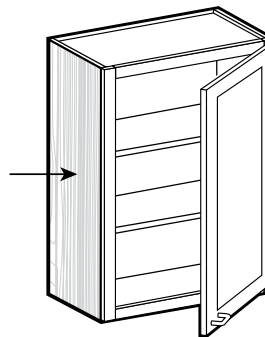
**Matching Wall End Panels**



- MWEP30**
- MWEP36**
- MWEP42**

- 3/4" thick
- Field installation
- Panel is reversible & fits flush against end panel
- Available in Full Overlay door styles only

**Factory Finished End Panels**

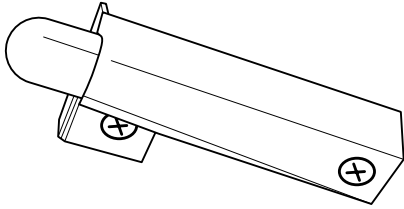


- WSK1212 L or R**
- WSK1215 L or R**
- WSK1218 L or R**
- WSK1224 L or R**
- WSK1230 L or R**
- WSK1236 L or R**
- WSK1242 L or R**

- Matching exterior print finish
- Factory installed
- Specify Applied Left or Applied Right
- Available in all finishes

- WSK1536 L or R**
- WSK1542 L or R**

**Soft Close Door (SCD)**

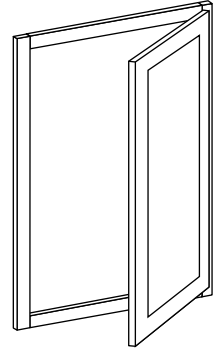


- Available in Standard & Full Overlay door styles
- Adjustable for various size doors
- Nickel plated zinc die cast construction
- Installed on hinge side of frame

**Cabinet Fronts Only (Walls)**

Most Wall cabinets can be ordered as "Cabinet Fronts Only". Face frame, doors, hinges and bumpers will be supplied and shipped loose.

Please consult CFO availability guide on page 33.

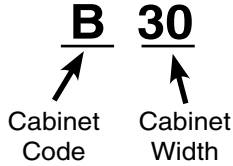


**Design Tips:**

- Do not design Microwave Shelf cabinets next to Wall Angle Corner cabinets, as cabinet door will not fully open
- Do design wall skins on exposed cabinet ends for finished look and ease of top molding installation
- Do design light rails to conceal any under cabinet lighting and to provide a furniture finished look
- Do design different height cabinets for more architectural appeal and the feel of high end custom cabinetry
- Do design fluted fillers for visual appeal and remember, they work great as filler overlays
- Do design the Wall "X" Wine Rack in horizontal and vertical applications and remember, it also works great for island designs
- Do design mullion doors and suggest frost or opaque glass for cabinetry finished in darker stains to reduce contrast with light maple finished interior
- Do design wall skins, V-Groove skins or Matching End Panels for all exposed cabinet ends to finish off maple end panel

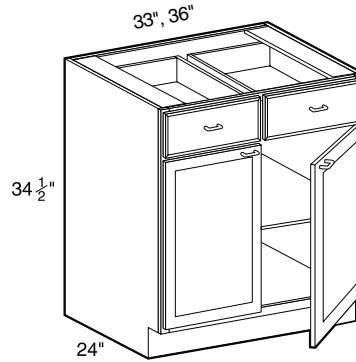
**BASE CABINET CODING**

Note: Standard base cabinets are 24" deep and 34½" high.  
Standard desk base cabinets are 21" deep and 28½" high.  
Add door thickness for total depth. All end panels are light maple print finish. **Any exposed end panels require finished ends or matching end panels to be ordered.**



**SPECIFICATION DRAWINGS DEPICT FULL OVERLAY PRODUCTS.  
STANDARD OVERLAY FEATURE CENTER STILES IN CABINETS 30" AND WIDER.**

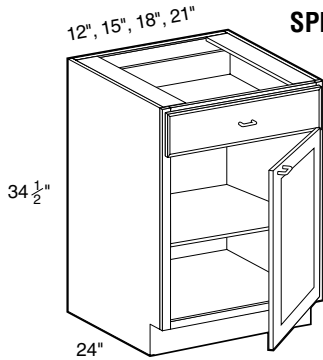
**24" Deep Double Door**



**B33  
B36**

- One adjustable shelf
- Available in Standard & Full Overlay door styles

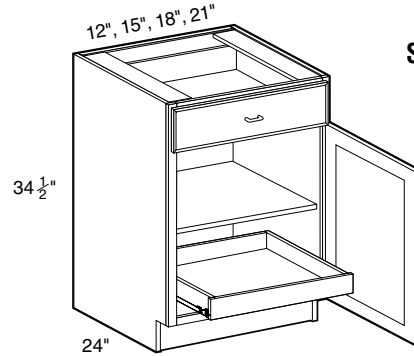
**24" Deep Single Door**



**SPECIFY R or L  
B12  
B15  
B18  
B21**

- One adjustable shelf
- Available in Standard & Full Overlay door styles

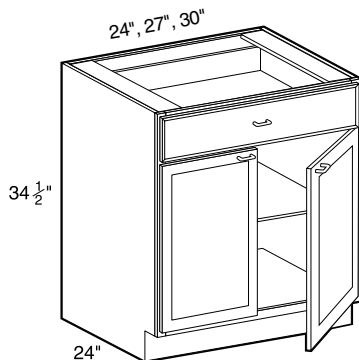
**24" Deep Single Door with 1 Roll-Out Tray**



**SPECIFY R or L  
B12-1T  
B15-1T  
B18-1T  
B21-1T**

- One adjustable shelf
- One adjustable, full width roll-out tray
- Available in Standard & Full Overlay door styles

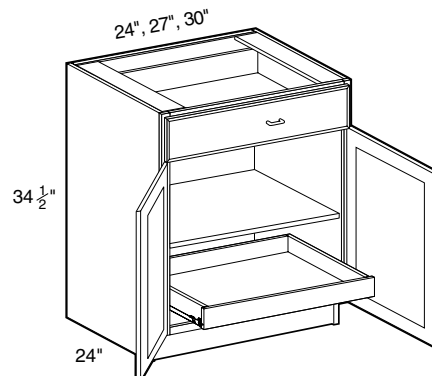
**24" Deep Double Door**



**B24  
B27  
B30**

- One adjustable shelf
- Available in Standard & Full Overlay door styles

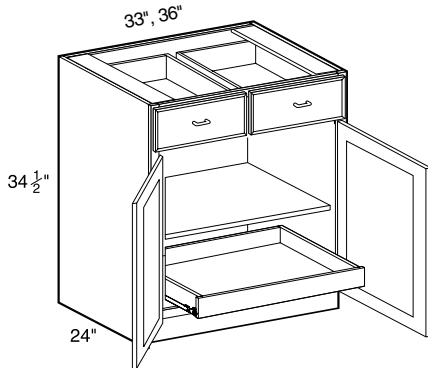
**24" Deep Double Door with 1 Roll-Out Tray**



**B24-1T  
B27-1T  
B30-1T**

- One adjustable shelf
- One adjustable, full width roll-out tray
- Available in Standard (except B30-1T) & Full Overlay door styles

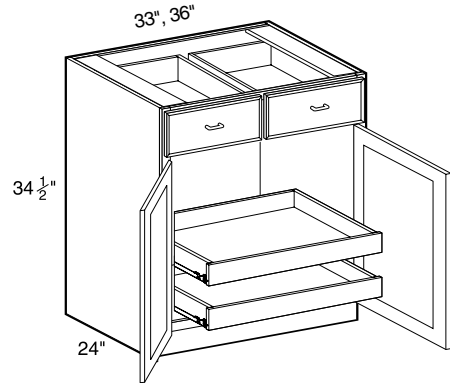
**24" Deep Double Door  
with 1 Roll-Out Tray**



**B33-1T  
B36-1T**

- One adjustable shelf
- One adjustable, full width roll-out tray
- Available in Full Overlay door styles only

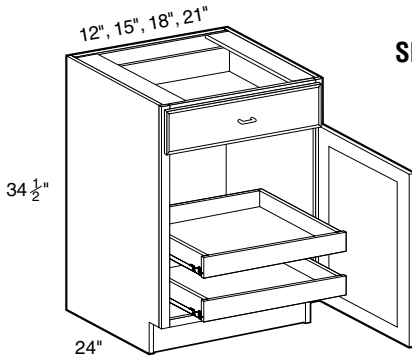
**24" Deep Double Door with 2 Roll-Out Trays**



**B33-2T  
B36-2T**

- Two adjustable, full width roll-out trays
- Available in Full Overlay door styles only

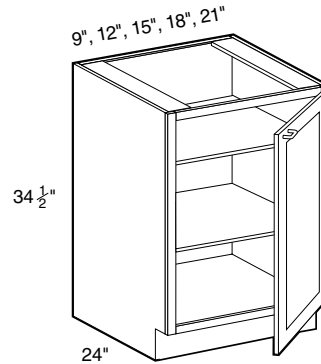
**24" Deep Single Door  
with 2 Roll-Out Trays**



**SPECIFY R or L  
B12-2T  
B15-2T  
B18-2T  
B21-2T**

- Two adjustable, full width roll-out trays
- Available in Standard & Full Overlay door styles

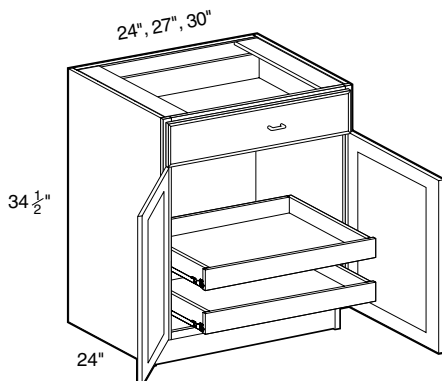
**24" Deep Single Full Height Door**



**SPECIFY R or L  
B09FH  
B12FH  
B15FH  
B18FH  
B21FH**

- Two adjustable shelves
- Available in Standard Overlay & Full Overlay door styles

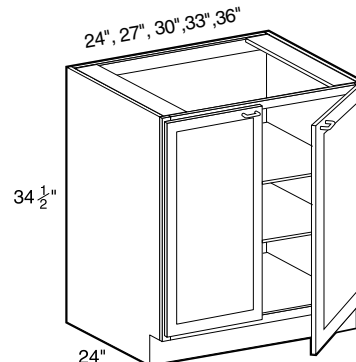
**24" Deep Double Door  
with 2 Roll-Out Trays**



**B24-2T  
B27-2T  
B30-2T**

- Two adjustable, full width roll-out trays
- Available in Standard (except B30-2T) & Full Overlay door styles

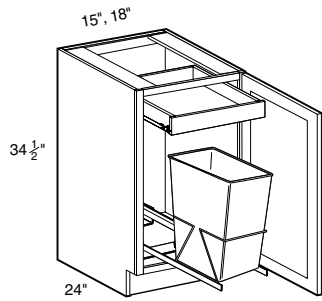
**24" Deep Double Full Height Door**



**B24FH  
B27FH  
B30FH  
B33FH  
B36FH**

- Two adjustable shelves
- Available in Standard & Full Overlay door styles

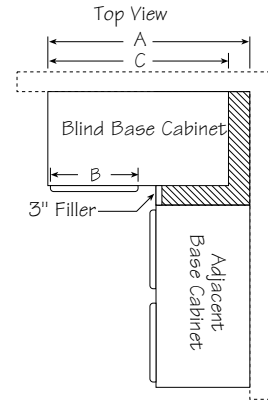
**24" Deep Base Single Wastebasket**



**SPECIFY R or L**  
**B1WB15**  
**B1WB18**

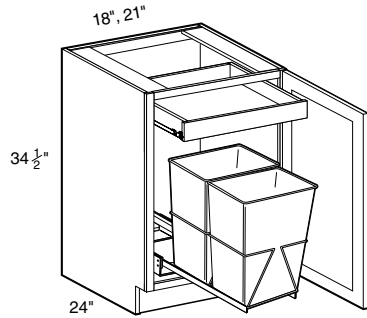
- Basket slides on heavy duty, full extension runners
- 35 quart capacity basket is secured by epoxy coated white wire "cage"
- White basket is removable
- Unit dimensions: 12"W x 19<sup>3</sup>/<sub>4</sub>"D x 22"H
- Top mount roll-out tray for trash bag storage
- Available in Standard & Full Overlay door styles

**Blind Base Installation**



Cabinet	BLIND BASE INSTALLATION GUIDE							
	STANDARD OVERLAY				FULL OVERLAY			
	Wall Space "A"		Door Opening	Cabinet	Wall Space "A"		Door Opening	Cabinet
Min	Max	Width "B"	Width "C"	Min	Max	Width "B"	Width "C"	
BBCU39	36"	42"	8 <sup>7</sup> / <sub>16</sub> "	30"	39"	42"	8 <sup>7</sup> / <sub>16</sub> "	30"
BBCU42	39"	45"	12"	36"	42"	45"	12"	36"

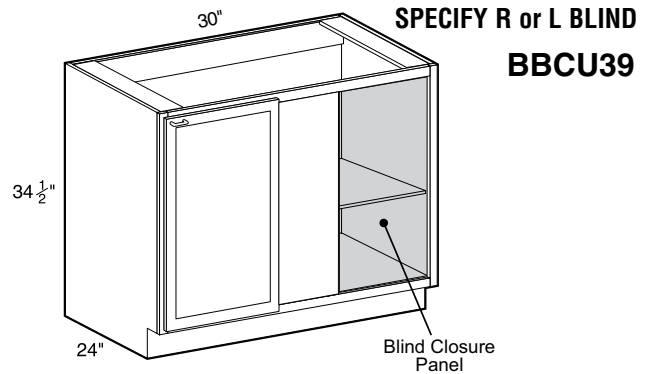
**24" Deep Base Double Wastebasket**



**SPECIFY R or L**  
**B2WB18**  
**B2WB21**

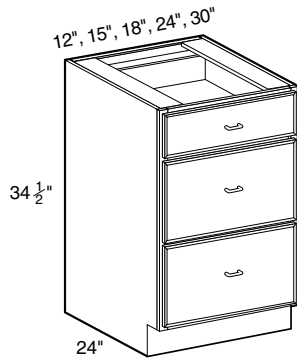
- Baskets slide on heavy duty, full extension runners
- 27 quart capacity baskets (2) are secured by epoxy coated white wire "cage"
- White baskets are removable
- Unit dimensions: 15"W x 19<sup>3</sup>/<sub>4</sub>"D x 22"H
- Top mount roll-out tray for trash bag storage
- Available in Standard & Full Overlay door styles

**24" Deep Blind Corner**



- Indicate R or L for blind side (right shown)
- Cabinet can be pulled for exact fit (see installation chart)
- 3" filler & 1/8" blind closure panel included
- Available in Standard & Full Overlay door styles

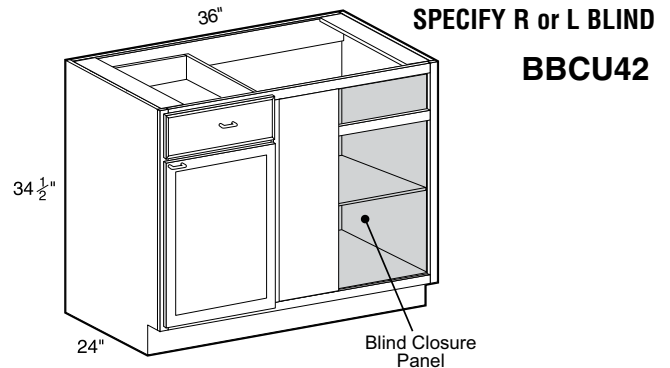
**24" Deep Base Drawer**



**BD12**  
**BD15**  
**BD18**  
**BD24**  
**BD30**

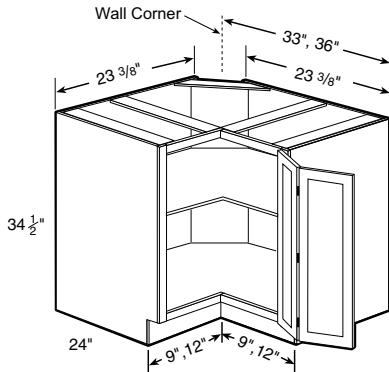
- One standard drawer
- Two deep drawers
- Available in Standard & Full Overlay door styles

**24" Deep Blind Corner**



- Indicate R or L for blind side (right shown)
- Cabinet can be pulled for exact fit (see installation chart)
- 3" filler & 1/8" blind closure panel included
- Available in Standard & Full Overlay door styles

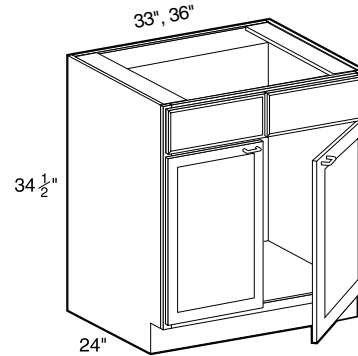
**33" and 36" Easy Reach**



**SPECIFY R or L  
EZR33  
EZR36**

- One full depth "L" shaped shelf
- Doors open 170 degrees for easy access
- SOFT CLOSE DOOR (SCD) OPTION NOT AVAILABLE
- Available in Standard & Full Overlay door styles

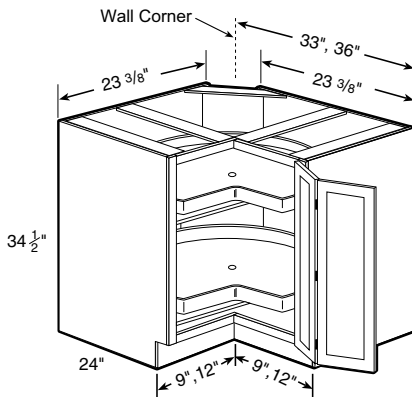
**24" Deep Sink Base**



**SB33  
SB36**

- No shelf
- May also be used as drop-in cooktop base
- Available in Standard & Full Overlay door styles

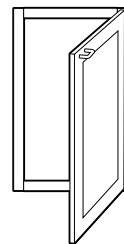
**33" and 36" Easy Reach Super Suzan**



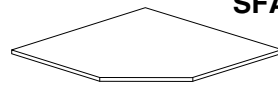
**SPECIFY R or L  
EZR33SS  
EZR36SS**

- Two 26" or 28" diameter, pie-cut independently revolving all wood shelves
- Doors open 170 degrees for easy access
- SOFT CLOSE DOOR (SCD) OPTION NOT AVAILABLE
- Available in Standard & Full Overlay door styles

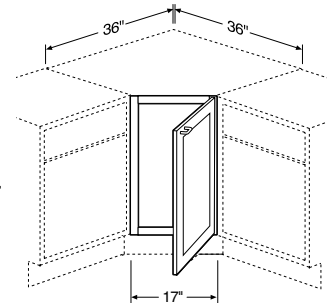
**Sink Front Angle**



**FACE FRAME & DOOR  
SFA36**

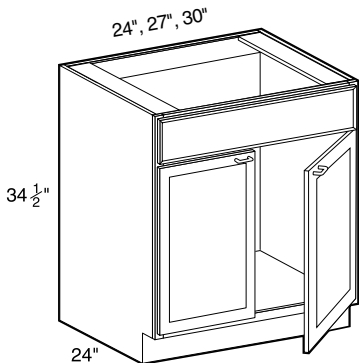


**CORNER FLOOR  
SFAF36**



- Floor support and toe kick field constructed
- Face frame and door may be installed right or left
- Maximum sink width for this application 25 3/4"
- Available in Standard & Full Overlay door styles

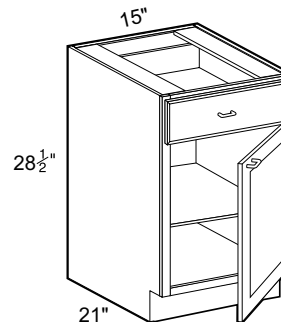
**24" Deep Sink Base**



**SB24  
SB27  
SB30**

- No shelf
- May also be used as drop-in cooktop base
- Available in Standard & Full Overlay door styles

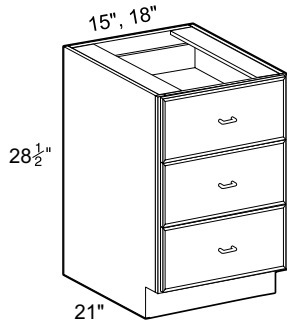
**21" Deep Desk Door**



**SPECIFY R or L  
DDO15**

- One adjustable shelf
- Comfortable height for dressing table or writing surface
- Matching exterior standard
- Available in Standard & Full Overlay door styles

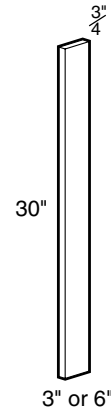
**21" Deep Desk Drawer**



**DDR15  
DDR18**

- Three standard drawers
- Comfortable height for dressing table or writing surface
- Matching exterior standard
- Available in Standard & Full Overlay door styles

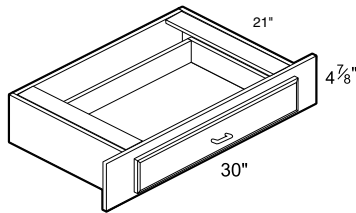
**Filler Strips**



**FS30  
FS630**

- 3/4" thick solid wood
- Face and all edges finished
- Available in Standard & Full Overlay door styles

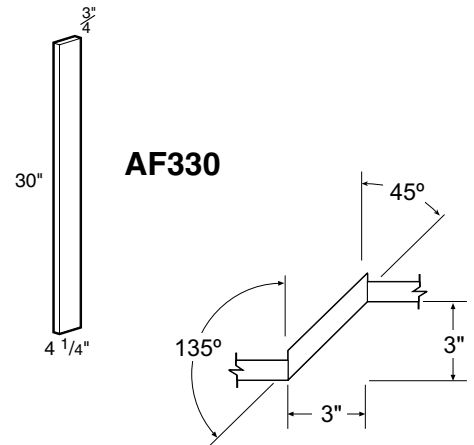
**21" Deep Desk Knee Drawer**



**DKD30**

- One full width pencil/cosmetic drawer
- Knee drawer is designed for use between two desk base cabinets
- Comfortable height for dressing table or writing surface when installed at 28 1/2" height with 1 1/2" thick countertop
- Slab drawer front all door styles
- Standard Overlay may be trimmed up to 2" on each side
- Full Overlay may be trimmed up to 1" on each side
- FULL EXTENSION RUNNER NOT AVAILABLE
- Available in Standard & Full Overlay door styles

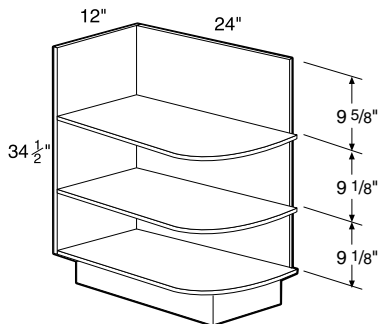
**Angle Fillers**



**AF330**

- 3/4" thick solid wood
- Face and all edges finished
- Available in Standard & Full Overlay door styles

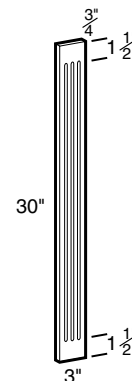
**24" Deep Base End Shelf**



**SPECIFY R or L  
BEOS12**

- 1/4" thick wood veneer side and 1/2" thick wood veneer back panel
- 3/4" thick solid wood shelves
- Available in Standard & Full Overlay door styles

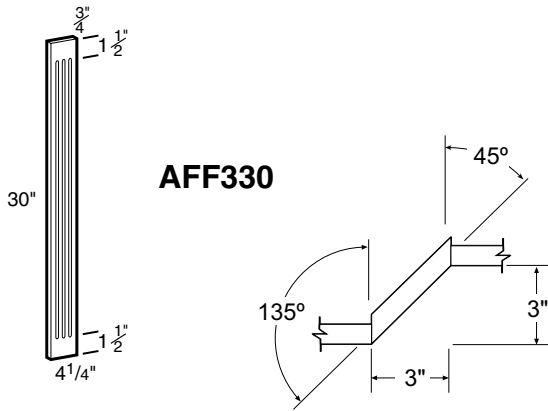
**Fluted Fillers**



**FF330**

- 3/4" thick solid wood
- Face and all edges finished
- May be trimmed 1/2" each side
- Available in Standard & Full Overlay (except HAW) door styles

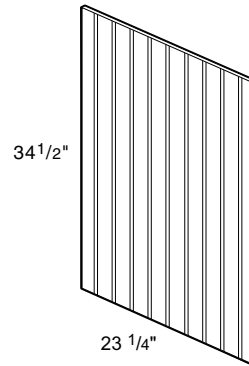
**Angle Fluted Fillers**



**AFF330**

- 3/4" thick solid wood
- Face and all edges finished
- Available in Standard (except WLO & VHS) & Full Overlay (except HAW) door styles

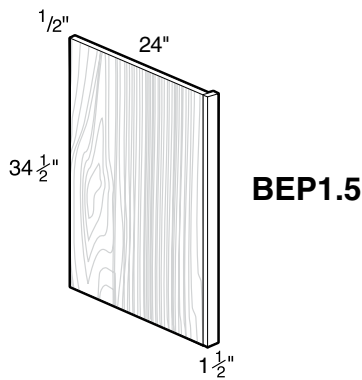
**Base V-Groove Skin**



**BVGSK345**

- 3/16" thick wood veneer v-groove exterior
- Grooves spaced 1 1/4" on center
- Field modified and installed
- Available in Standard (except WLO & VHS) & Full Overlay (except HAW) door styles

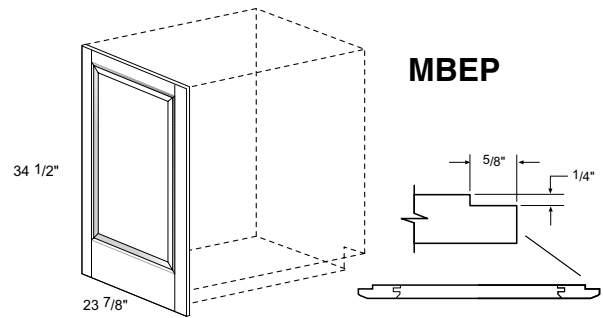
**24" Deep End Panel with Filler**



**BEP1.5**

- 1 1/2" solid wood filler attached
- Reversible
- 1/2" thick laminated matching exterior
- Available in Standard & Full Overlay door styles

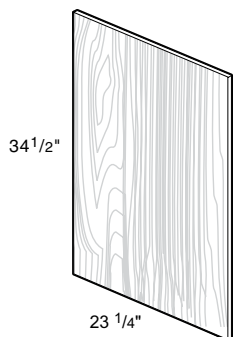
**Matching Base End Panel**



**MBEP**

- 3/4" thick
- Field installation
- Panel is reversible & fits flush against end panel
- Available in Full Overlay door styles only
- LCB, LCN, & LTG are 2-piece construction

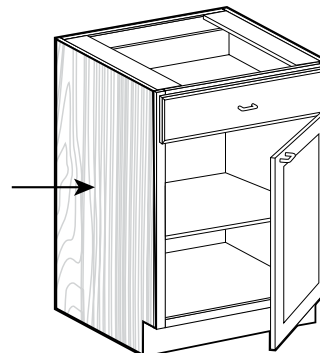
**Base Skin**



**BSK345**

- 3/16" thick laminated matching exterior
- Field modified and installed
- Available in Standard & Full Overlay door styles

**Factory Finished End Panels**

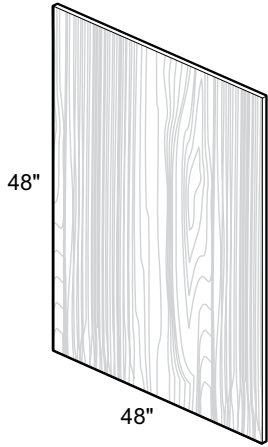


**BSK345 L or R**

- Matching exterior print finish
- Factory installed
- Specify Applied Left or Applied Right
- Available in all finishes

**NEW**

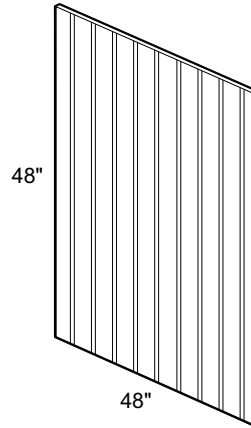
## Island Skin



### ISK4848

- 3/16" thick laminated matching exterior
- Field modified and installed
- Available in Standard & Full Overlay door styles

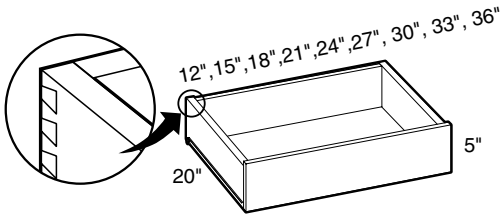
## Island V-Groove Skin



### IVGSK4848

- 3/16" thick wood veneer v-groove exterior
- Grooves spaced 1 1/4" on center
- Field modified and installed
- Available in Standard (except WLO & VHS) & Full Overlay (except HAW) door styles

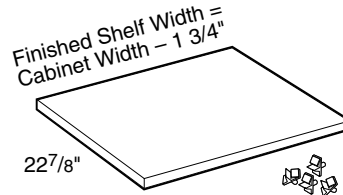
## Rollout Tray Kits



- ROT12
- ROT15
- ROT18
- ROT21
- ROT24
- ROT27
- ROT30
- ROT33
- ROT36

- 5/8" solid wood dovetail construction
- Consult availability guide

## Shelf Kits



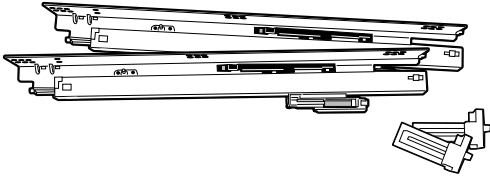
- SK1224
- SK1524
- SK1824
- SK2124
- SK2424
- SK2724
- SK3024
- SK3324
- SK3624

- 3/4" thick laminated matching cabinet interior
- Edgebanded on front edge
- One shelf and four clips per kit
- Consult availability guide

ROLL-OUT TRAY KIT AVAILABILITY GUIDE		
SKU	STANDARD OVERLAY	FULL OVERLAY
	DESIGNED TO FIT	DESIGNED TO FIT
ROT12	B12, B12FH	B12, B12FH
ROT15	B15, B15FH	B15, B15FH
ROT18	B18, B18FH, U182484/96	B18, B18FH, U182484/90/96
ROT21	B21, B21FH	B21, B21FH
ROT24	B24, B24FH, SB24, U242484/96	B24, B24FH, SB24, U242484/90/96
ROT27	B27, B27FH, SB27	B27, B27FH, SB27
ROT30	N/A	B30, B30FH, SB30
ROT33	N/A	B33, B33FH, SB33
ROT36	N/A	B36, B36FH, SB36

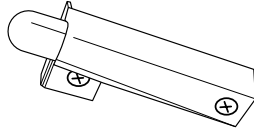
SHELF KIT AVAILABILITY GUIDE		
SKU	WIDTH	STANDARD & FULL OVERLAY
		DESIGNED TO FIT
SK1224	10-1/4"	B12, B12FH
SK1524	13-1/4"	B15, B15FH
SK1824	16-1/4"	B18, B18FH, U182484/96
SK2124	19-1/4"	B21, B21FH
SK2424	22-1/4"	B24, B24FH, SB24, U242484/90/96
SK2724	25-1/4"	B27, B27FH, SB27
SK3024	28-1/4"	B30, B30FH, SB30, BBCU39
SK3324	31-1/4"	B33, B33FH, SB33, OC332484U/90U/96U
SK3624	24-1/4"	B36, B36FH, SB36, BBCU42

**Full Extension Drawer Runner (FX)**



- Available in all Standard & Full Overlay 21" depth (except DKD30) and 24" depth cabinets with drawers
- Smooth ball bearing, 75 pound load capacity full extension concealed runner with shock that engages when drawer is 1" from closing and applies resistance for soft closing
- Not available for roll-out trays

**Soft Close Door (SCD)**

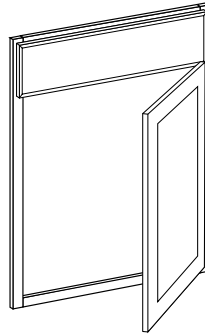


- Available in Standard & Full Overlay door styles
- Adjustable for various size doors
- Nickel plated zinc die cast construction
- Installed on hinge side of frame

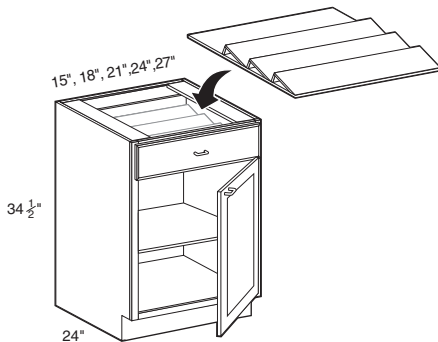
**Cabinet Fronts Only (Bases)**

Most Base cabinets can be ordered as "Cabinet Fronts Only". Face frame, doors, drawer fronts, hinges, and bumpers will be supplied and shipped loose. In addition, plastic corner blocks will be supplied for false front installation requirements.

Please consult CFO availability guide on page 33.



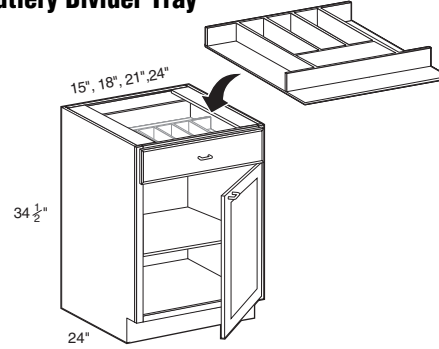
**Spice Drawer Insert**



**SDI15  
SDI18  
SDI21  
SDI24  
SDI27**

- Solid hardwood drawer insert
- Three 5" high angled tiers
- Rear 4" deep compartment
- Fits Standard & Full Overlay drawers

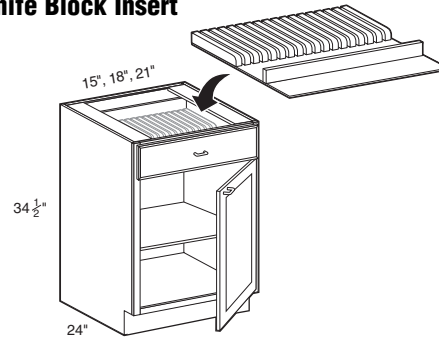
**Cutlery Divider Tray**



**CDT15  
CDT18  
CDT21  
CDT24**

- Solid hardwood drawer insert
- One full width front utensil compartment
- CDT15 - 6 compartments 10"-14" deep (fits B15, BD15)
- CDT18 - 6 compartments 10"-14" deep (fits B18, BD18, B36)
- CDT21 - 8 compartments 10"-14" deep (fits B21)
- CDT24 - 8 compartments 10"-14" deep (fits B24, BD24)
- Fits Standard & Full Overlay drawers

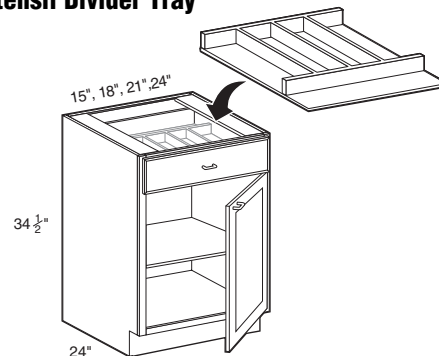
**Knife Block Insert**



**KBI15  
KBI18  
KBI21**

- Solid hardwood drawer insert
- One full width front utensil compartment
- KBI15 - 10 knife slots + utensil compartment (fits B15, BD15)
- KBI18 - 13 knife slots + utensil compartment (fits B18, BD18, B36)
- KBI21 - 16 knife slots + utensil compartment (fits B21)
- Fits Standard & Full Overlay drawers

**Utensil Divider Tray**

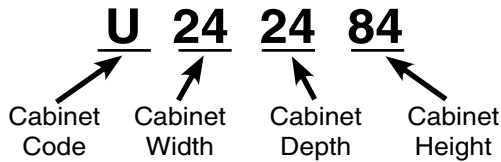


**UTD15  
UTD18  
UTD21  
UTD24**

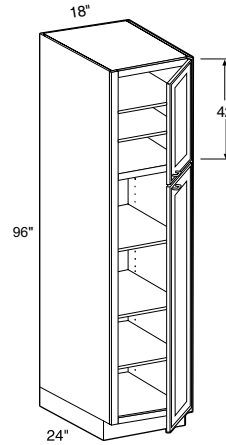
- Solid hardwood drawer insert
- One full width front utensil compartment
- UTD15 - 4 additional compartments 16" deep (fits B15, BD15)
- UTD18 - 4 additional compartments 16" deep (fits B18, BD18, B36)
- UTD21 - 5 additional compartments 16" deep (fits B21)
- UTD24 - 5 additional compartments 16" deep (fits B24, BD24)
- Fits Standard & Full Overlay drawers

**TALL CABINET CODING**

Note: Standard tall cabinets are 24" deep.  
Add door thickness for total depth. All end panels are light maple print finish. **Any exposed end panels require finished ends or matching end panels to be ordered.**



**24" Deep Two Door Utility**



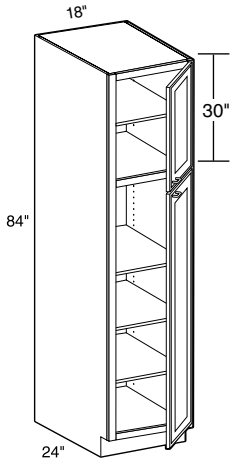
**SPECIFY R or L**

**U182496**

Exposed sides require TSK96

- One fixed and five adjustable shelves
- Optional rollout trays or additional shelves available
- Loose toe kick box for ease of installation
- Available in Standard & Full Overlay door styles

**24" Deep Two Door Utility**

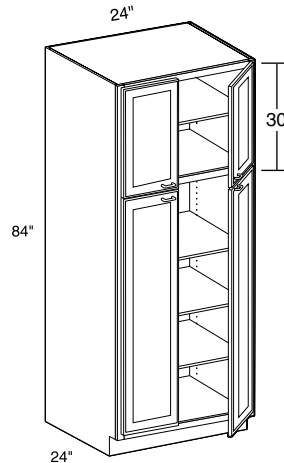


**SPECIFY R or L**

**U182484**

- One fixed and four adjustable shelves
- Optional rollout trays or additional shelves available
- Available in Standard & Full Overlay door styles

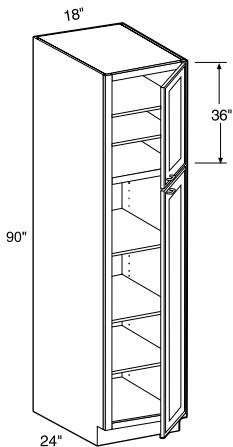
**24" Deep Four Butt Door Utility**



**U242484**

- One fixed and four adjustable shelves
- Optional rollout trays or additional shelves available
- Available in Standard & Full Overlay door styles

**24" Deep Two Door Utility**

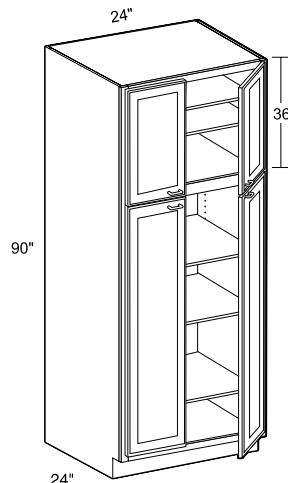


**SPECIFY R or L**

**U182490**

- One fixed and five adjustable shelves
- Optional rollout trays or additional shelves available
- Available in Full Overlay door styles only

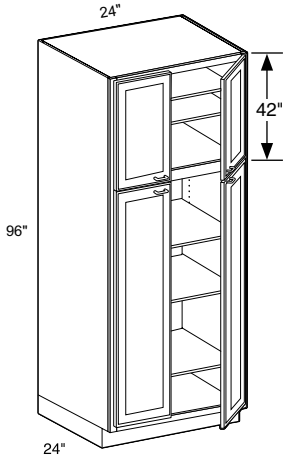
**24" Deep Four Butt Door Utility**



**U242490**

- One fixed and five adjustable shelves
- Optional rollout trays or additional shelves available
- Available in Full Overlay door styles only

**24" Deep Four Butt Door Utility**

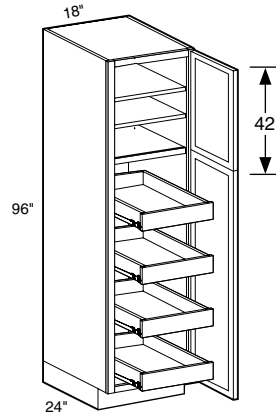


**U242496**

Exposed sides  
require TSK96

- One fixed and five adjustable shelves
- Optional rollout trays or additional shelves available
- Loose toe kick box for ease of installation
- Available in Standard & Full Overlay door styles

**24" Deep Two Door Utility  
with Four Rollout Trays**

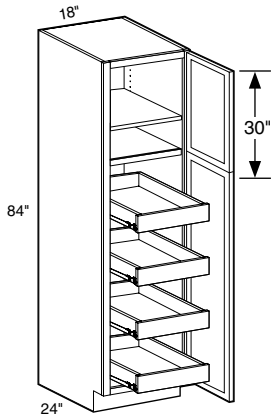


**SPECIFY R or L  
U182496-4T**

Exposed sides  
require TSK96

- Four adjustable, full width rollout trays
- Two adjustable shelves
- Loose toe kick box for ease of installation
- Available in Standard & Full Overlay door styles

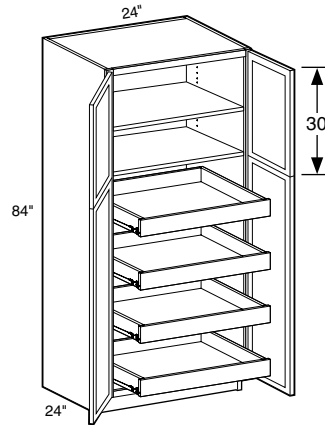
**24" Deep Two Door Utility  
with Four Rollout Trays**



**SPECIFY R or L  
U182484-4T**

- Four adjustable, full width rollout trays
- One adjustable shelf
- Available in Standard & Full Overlay door styles

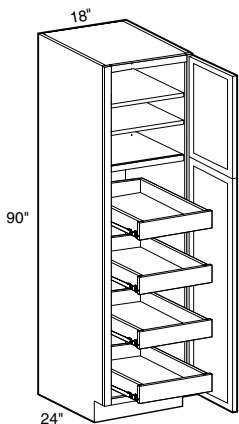
**24" Deep Four Butt Door Utility  
with Four Rollout Trays**



**U242484-4T**

- Four adjustable, full width rollout trays
- One adjustable shelf
- Available in Standard & Full Overlay door styles

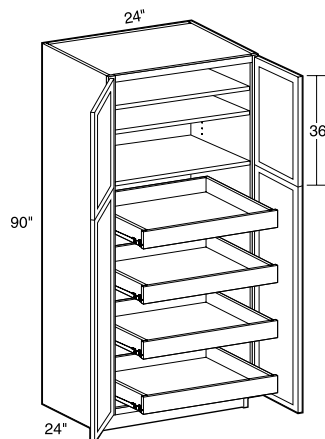
**24" Deep Two Door Utility  
with Four Rollout Trays**



**SPECIFY R or L  
U182490-4T**

- Four adjustable, full width rollout trays
- Two adjustable shelves
- Available in Full Overlay door styles only

**24" Deep Four Butt Door Utility  
with Four Rollout Trays**

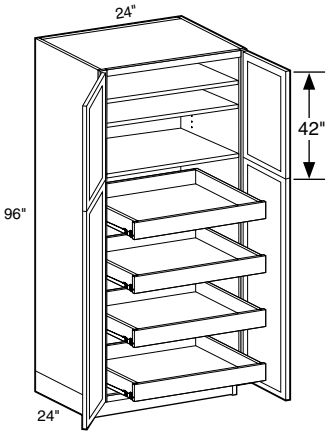


**U242490-4T**

Exposed sides  
require TSK96

- Four adjustable, full width rollout trays
- Two adjustable shelves
- Available in Full Overlay door styles only

**24" Deep Four Butt Door Utility  
with Four Rollout Trays**

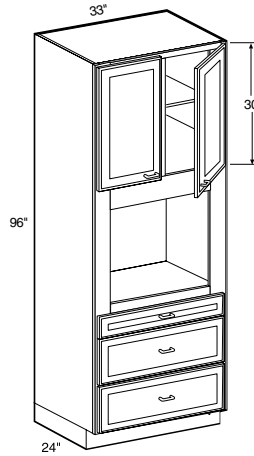


**U242496-4T**

Exposed sides  
require TSK96

- Four adjustable, full width rollout trays
- Two adjustable shelves
- Loose toe kick box for ease of installation
- Available in Standard & Full Overlay door styles

**24" Deep Universal Oven**

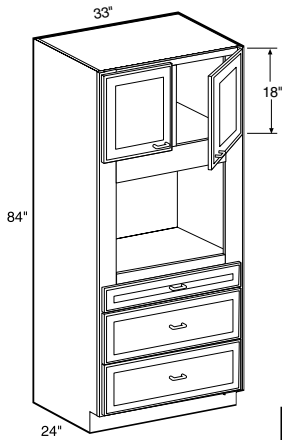


**OC332496U**

- Consult chart for oven cutout dimensions
- One adjustable shelf
- 3 field removable drawers
- 3" stiles in oven compartment
- Loose toe kick box for ease of installation
- Available in Standard & Full Overlay door styles

CABINET	MIN. WIDTH	MAX WIDTH	MIN. HEIGHT	MAX HEIGHT
OC332496U	27"	31"	22"	60"

**24" Deep Universal Oven**

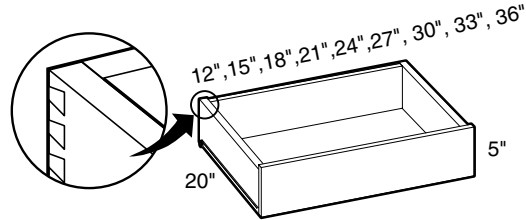


**OC332484U**

- Consult chart for oven cutout dimensions
- No shelf
- 3 field removable drawers
- 3" stiles in oven compartment
- Available in Standard & Full Overlay door styles

CABINET	MIN. WIDTH	MAX WIDTH	MIN. HEIGHT	MAX HEIGHT
OC332484U	27"	31"	22"	60"

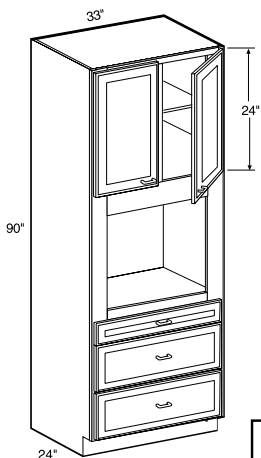
**Rollout Tray Kits**



- ROT12**
- ROT15**
- ROT18**
- ROT21**
- ROT24**
- ROT27**
- ROT30**
- ROT33**
- ROT36**

- 5/8" solid wood dovetail construction
- Consult availability guide

**24" Deep Universal Oven**



**OC332490U**

- Consult chart for oven cutout dimensions
- One adjustable shelf
- 3 field removable drawers
- 3" stiles in oven compartment
- Available in Full Overlay door styles only

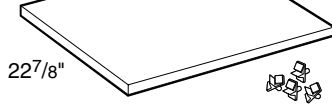
CABINET	MIN. WIDTH	MAX WIDTH	MIN. HEIGHT	MAX HEIGHT
OC332490U	27"	31"	22"	60"

**ROLL-OUT TRAY KIT AVAILABILITY GUIDE**

SKU	STANDARD OVERLAY	FULL OVERLAY
	DESIGNED TO FIT	DESIGNED TO FIT
ROT12	B12, B12FH	B12, B12FH
ROT15	B15, B15FH	B15, B15FH
ROT18	B18, B18FH, U182484/96	B18, B18FH, U182484/90/96
ROT21	B21, B21FH	B21, B21FH
ROT24	B24, B24FH, SB24, U242484/96	B24, B24FH, SB24, U242484/90/96
ROT27	B27, B27FH, SB27	B27, B27FH, SB27
ROT30	N/A	B30, B30FH, SB30
ROT33	N/A	B33, B33FH, SB33
ROT36	N/A	B36, B36FH, SB36

**Shelf Kits**

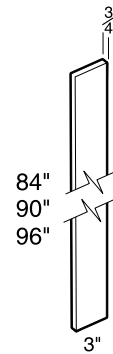
Finished Shelf Width =  
Cabinet Width - 1 3/4"



- SK1224**
- SK1524**
- SK1824**
- SK2124**
- SK2424**
- SK2724**
- SK3024**
- SK3324**
- SK3624**

- 3/4" thick laminated matching cabinet interior
- Edgebanded on front edge
- One shelf and four clips per kit
- Consult availability guide
- Field cut depth for vanity application

**Filler Strips**

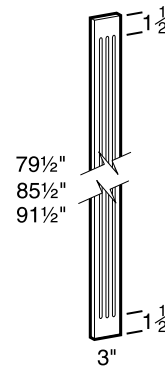


- FS84**
- FS90**
- FS96**

- 3/4" thick solid wood
- Face and all edges finished
- FS84 & FS96 available in Standard & Full overlay door styles
- FS90 available in Full overlay door styles only

SHELF KIT AVAILABILITY GUIDE		
SKU	WIDTH	STANDARD & FULL OVERLAY
		DESIGNED TO FIT
SK1224	10-1/4"	B12, B12FH
SK1524	13-1/4"	B15, B15FH
SK1824	16-1/4"	B18, B18FH, U182484/90/96
SK2124	19-1/4"	B21, B21FH
SK2424	22-1/4"	B24, B24FH, SB24, U242484/90/96
SK2724	25-1/4"	B27, B27FH, SB27
SK3024	28-1/4"	B30, B30FH, SB30, BBCU39
SK3324	31-1/4"	B33, B33FH, SB33, OC332484U/90U/96U
SK3624	24-1/4"	B36, B36FH, SB36, BBCU42

**Fluted Fillers**

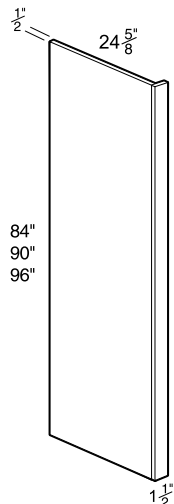


- FF79**
- FF85**
- FF91**

- 3/4" thick solid wood
- Face and all edges finished
- FF79 & FF91 available in Standard & Full overlay (except HAW) door styles
- FF85 available in Full overlay (except HAW) door styles only

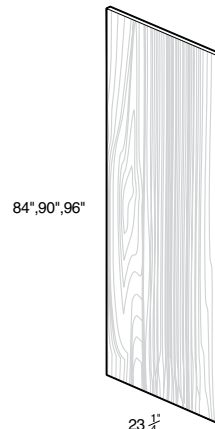
**24" Deep Refrigerator Panel with Filler**

- 1 1/2" filler attached
- Reversible, may be installed left or right
- 1/2" thick laminated matching exterior/interior
- Panel may be scribed up to 5/8"
- RP84 & RP96 available in Standard & Full overlay door styles
- RP90 available in Full overlay door styles only



- RP84**
- RP90**
- RP96**

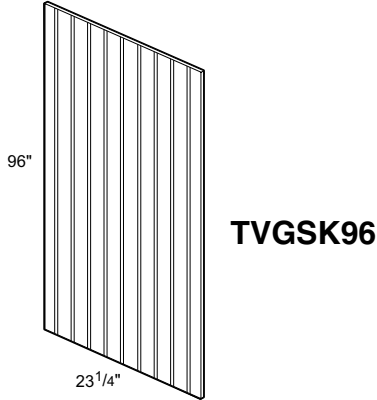
**Tall Skin**



- TSK84**
- TSK90**
- TSK96**

- 3/16" thick laminated matching exterior
- Field modified and installed
- Available in all finishes

**Tall V-Groove Skin**

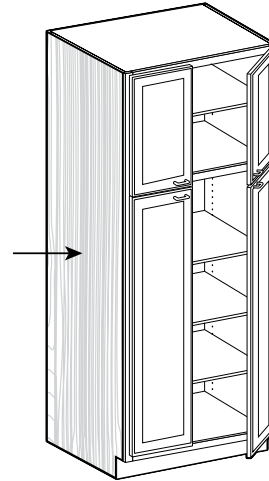


**TVGSK96**

- 3/16" thick wood veneer v-groove exterior
- Grooves spaced 1 1/4" on center
- Field modified and installed
- Available in Standard (except WLO & VHS) & Full Overlay (except HAW) door styles

**Factory Finished End Panels**

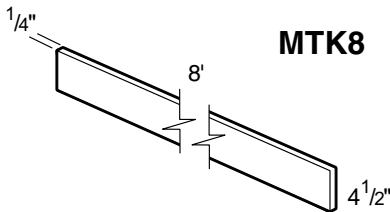
**NEW**



**TSK84 L or R  
TSK90 L or R**

- Matching exterior print finish
- Factory installed
- Specify Applied Left or Applied Right
- Available in all finishes

**Matching Toe Kick 8'**



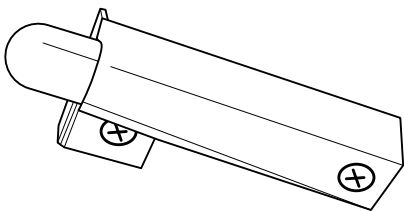
**MTK8**

- 1/4" thick wood veneer or white vinyl
- Available in Standard & Full Overlay door styles

**Design Tips:**

- Do design with 21" deep vanity linen cabinets where a reduced depth improves access and traffic flow.
- Do design with refrigerator end panels when installing 24" deep wall cabinets over refrigerator to provide necessary cabinet support and create a true built-in look.
- Do design with roll-out trays for increased accessibility and maximum storage.
- Do design and consult appliance manufacturer's cut-out requirements when specifying the universal oven cabinet and advise customer to follow the manufacturer's recommend installation procedures.
- Do design tall skins on exposed cabinet ends to create flush, surface to butt wall cabinets against, and for installation ease of top molding.

**Soft Close Door Upgrade (SCD)**

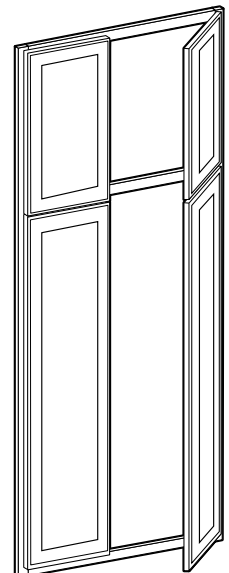


- Available in Standard & Full Overlay door styles
- Adjustable for various size doors
- Nickel plated zinc die cast construction
- Installed on hinge side of frame

**Cabinet Fronts Only (Talls)**

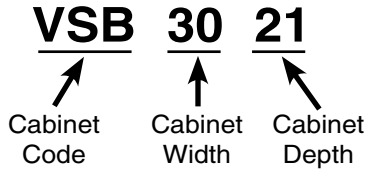
Most Tall cabinets can be ordered as "Cabinet Fronts Only". Face frame, doors, hinges and bumpers will be supplied and shipped loose.

Please consult CFO availability guide on page 33.



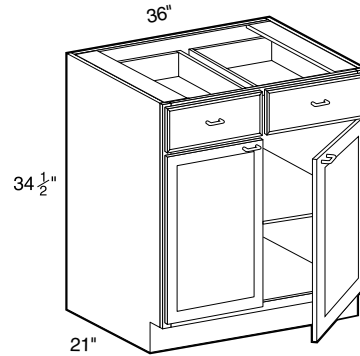
**VANITY CABINET CODING**

Note: Standard vanity cabinets are 21" deep and 34½" high.  
Add door thickness for total depth. All end panels are light maple print finish. **Any exposed end panels require finished ends or matching end panels to be ordered.**



**SPECIFICATION DRAWINGS DEPICT FULL OVERLAY PRODUCTS. STANDARD OVERLAY FEATURE CENTER STILES IN CABINETS 30" AND WIDER.**

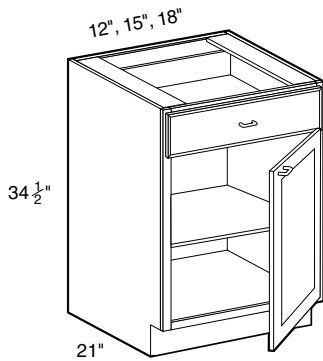
**21" Deep Double Door**



**VB3621**

- One adjustable shelf
- Available in Standard & Full Overlay door styles

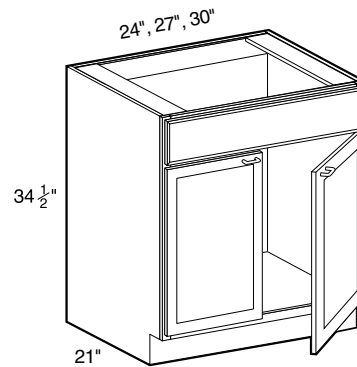
**21" Deep Single Door**



**SPECIFY R or L**  
**VB1221**  
**VB1521**  
**VB1821**

- One standard drawer
- One adjustable shelf
- Available in Standard & Full Overlay door styles

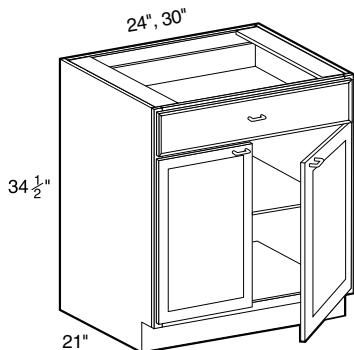
**21" Deep Double Door**



**VSB2421**  
**VSB2721**  
**VSB3021**

- No shelf
- Available in Standard & Full Overlay door styles

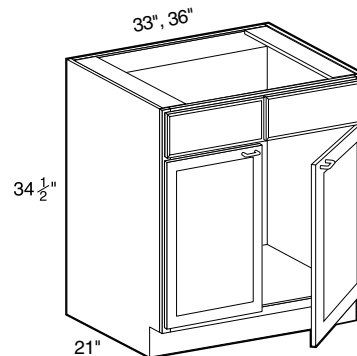
**21" Deep Double Door**



**VB2421**  
**VB3021**

- One adjustable shelf
- Available in Standard & Full Overlay door styles

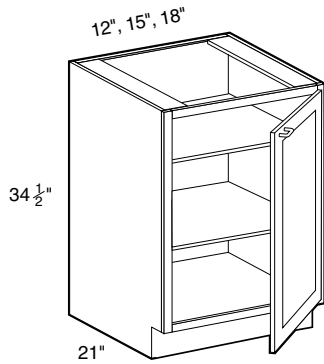
**21" Deep Double Door**



**VSB3321**  
**VSB3621**

- No shelf
- Available in Standard & Full Overlay door styles

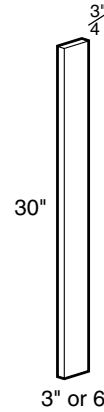
**21" Deep Single Full Height Door**



**SPECIFY R or L**  
**VB1221FH**  
**VB1521FH**  
**VB1821FH**

- Two adjustable shelves
- Available in Standard & Full Overlay door styles

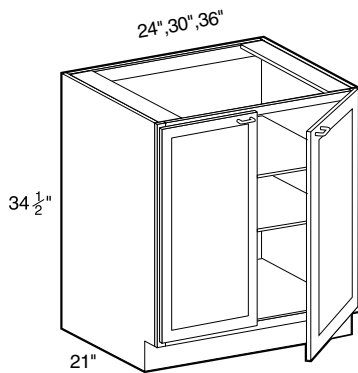
**Filler Strips**



**FS30**  
**FS630**

- 3/4" thick solid wood
- Face and all edges finished
- Available in Standard & Full Overlay door styles

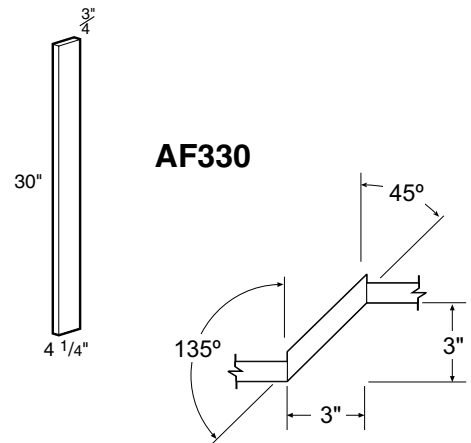
**21" Deep Double Full Height Door**



**VB2421FH**  
**VB3021FH**  
**VB3621FH**

- Two adjustable shelves
- Available in Standard & Full Overlay door styles

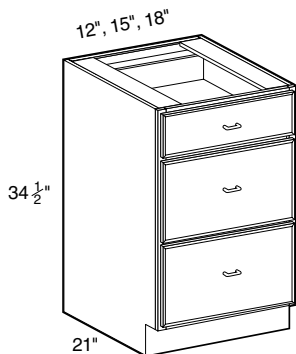
**Angle Fillers**



**AF330**

- 3/4" thick solid wood
- Face and all edges finished
- Available in Standard & Full Overlay door styles

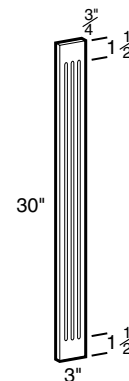
**21" Deep Base Drawer**



**VBD1221**  
**VBD1521**  
**VBD1821**

- One standard drawer
- Two deep drawers
- Available in Standard & Full Overlay door styles

**Fluted Fillers**

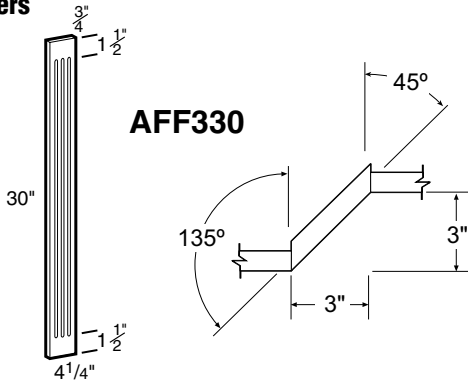


**FF330**

- 3/4" thick solid wood
- Face and all edges finished
- May be trimmed 1/2" each side
- Available in Standard & Full Overlay (except HAW) door styles

**NEW**

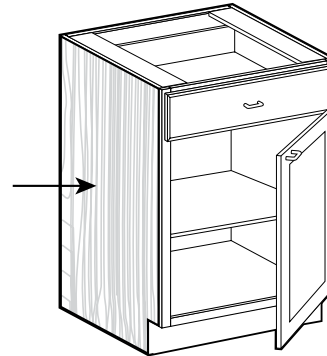
**Angle Fluted Fillers**



**AFF330**

- 3/4" thick solid wood
- Face and all edges finished
- Available in Standard (except WLO & VHS) & Full Overlay (except HAW) door styles

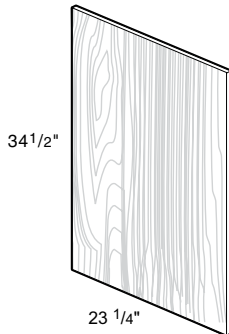
**Factory Finished End Panels**



**VBSK345 L or R**

- Matching exterior print finish
- Factory installed
- Specify Applied Left or Applied Right
- Available in all finishes

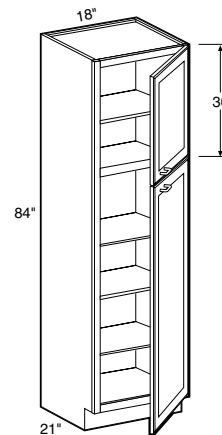
**Base Skin**



**BSK345**

- 3/16" thick laminated matching exterior
- Field cut to 20 1/4" depth
- Available in Standard & Full Overlay door styles

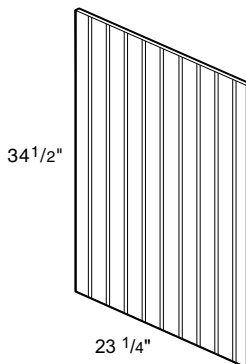
**21" Deep Two Door Linen**



**SPECIFY R or L  
VLC182184**

- One fixed and four adjustable shelves
- Available in Standard & Full Overlay door styles

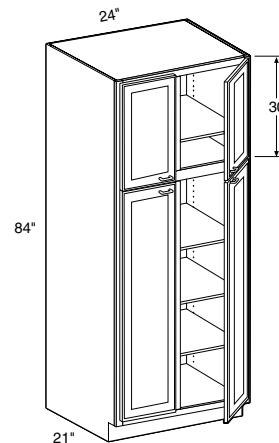
**Base V-Groove Skin**



**BVGSK345**

- 3/16" thick wood veneer v-groove exterior
- Grooves spaced 1 1/4" on center
- Field cut to 20 1/4" depth
- Available in Standard (except WLO & VHS) & Full Overlay (except HAW) door styles

**21" Deep Four Door Linen**

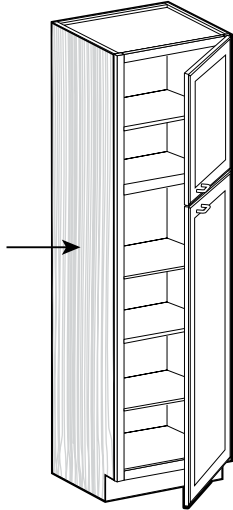


**VLC242184**

- One fixed and four adjustable shelves
- Available in Standard & Full Overlay door styles

**NEW**

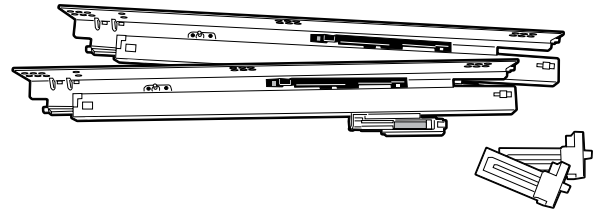
**Factory Finished End Panels**



**VTSK84 L or R**

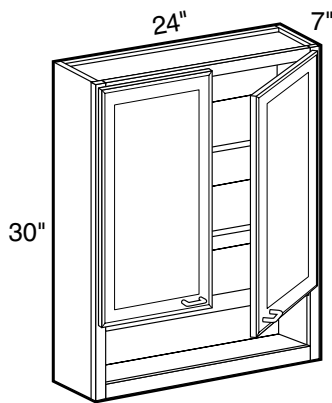
- Matching exterior print finish
- Factory installed
- Specify Applied Left or Applied Right
- Available in all finishes

**Full Extension Drawer Runner (FX)**



- Available in all Standard & Full Overlay 21" depth (except DKD30) and 24" depth cabinets with drawers
- Smooth ball bearing, 75 pound load capacity full extension concealed runner with shock that engages when drawer is 1" from closing and applies resistance for soft closing
- Not available for roll-out trays

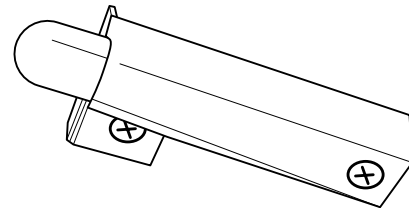
**30" High Double Door**



**VWB2430**

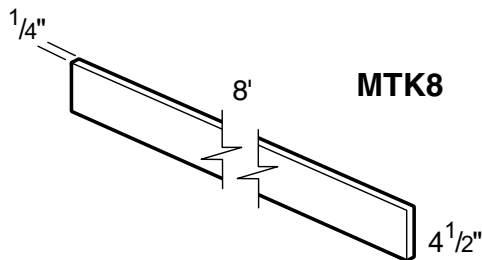
- Two adjustable shelves
- Matching interior and exterior standard
- Available in Standard & Full Overlay door styles

**Soft Close Door (SCD)**



- Available in Standard & Full Overlay door styles
- Adjustable for various size doors
- Nickel plated zinc die cast construction
- Installed on hinge side of frame

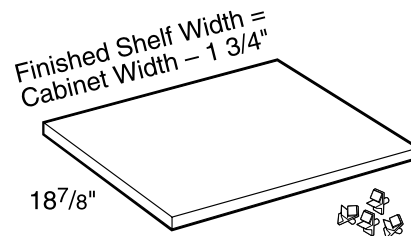
**Matching Toe Kick 8'**



**MTK8**

- 1/4" thick wood veneer or white vinyl
- Available in Standard & Full Overlay door styles

**Vanity Shelf Kit**

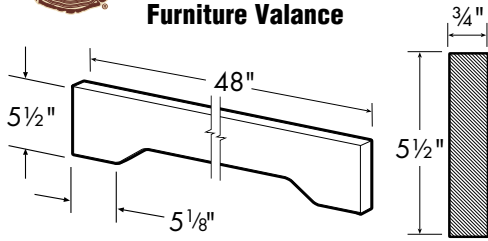


- VSK1221**
- VSK1521**
- VSK1821**
- VSK2421**

- 3/4" thick laminated matching cabinet interior
- Edgebanded on front edge
- Available in Standard & Full Overlay door styles

**Furniture Valance**

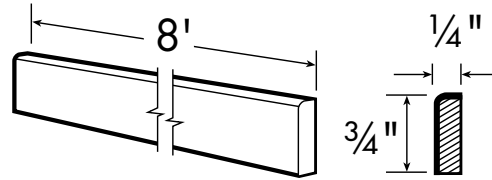
**FV48**



- 3/4" thick solid wood
- May be trimmed 3" on each end
- Available in Standard (except WLO & VHS) & Full Overlay door styles

**Scribe Molding**

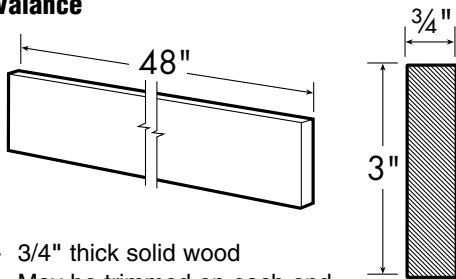
**SM8**



- 1/4" thick solid wood
- Available in Standard & Full Overlay door styles

**Valance**

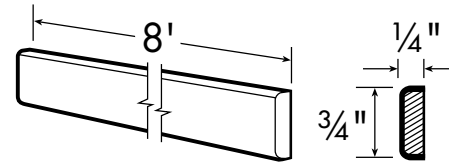
**VA48**



- 3/4" thick solid wood
- May be trimmed on each end
- Available in Standard & Full Overlay door styles

**Batten Molding**

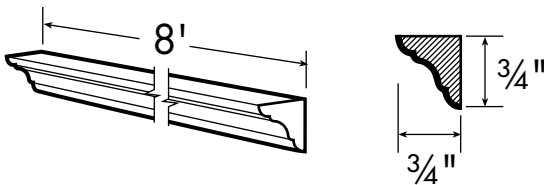
**BM8**



- 1/4" thick solid wood
- Available in Standard & Full Overlay door styles

**Inside Corner Molding**

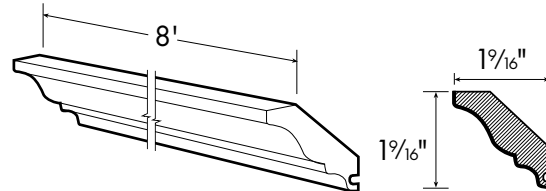
**ICM8**



- 3/4" thick solid wood
- Available in Standard & Full Overlay door styles

**Soffit Crown Molding**

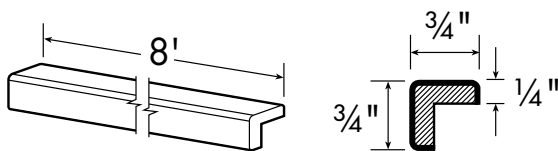
**SCM8**



- 3/4" thick solid wood
- Use with TMMS8 for top of cabinet installation
- Available in Standard & Full Overlay door styles

**Outside Corner Molding**

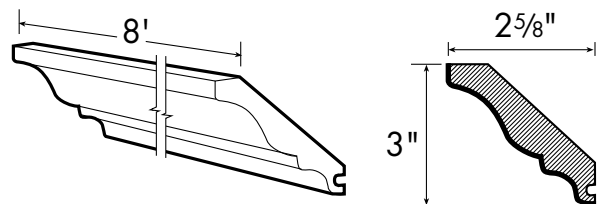
**OSC8**



- 3/4" thick solid wood
- Available in Standard & Full Overlay door styles

**Crown Molding**

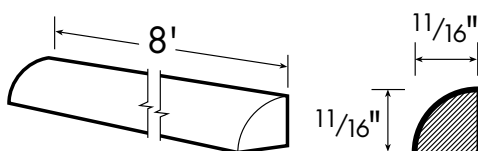
**CM8**



- 3/4" thick wood core, veneer wrapped
- Use with TMMS8 for top of cabinet installation
- Available in Standard & Full Overlay door styles

**Quarter Round**

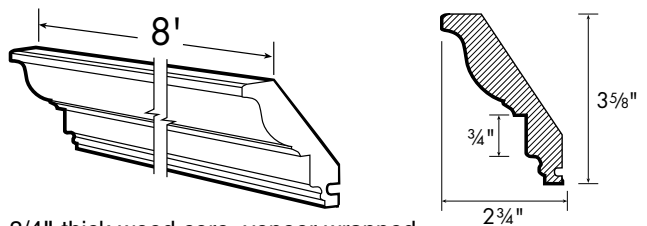
**QR8**



- 1 1/16" thick solid wood
- Available in Standard & Full Overlay door styles

**Classic Crown Molding**

**CCM8**

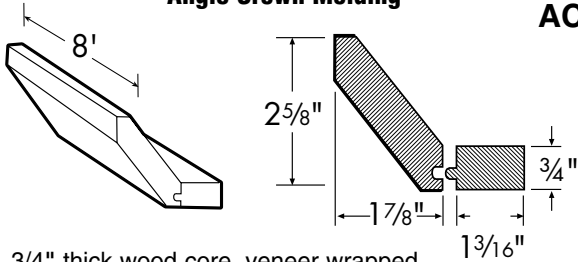


- 3/4" thick wood core, veneer wrapped
- Use with TMMS8 for top of cabinet installation
- Available in Standard (except WLO & VHS) & Full Overlay (except HAW) door styles

**NOTE: Thick dark lines indicate finished edges**

**Angle Crown Molding**

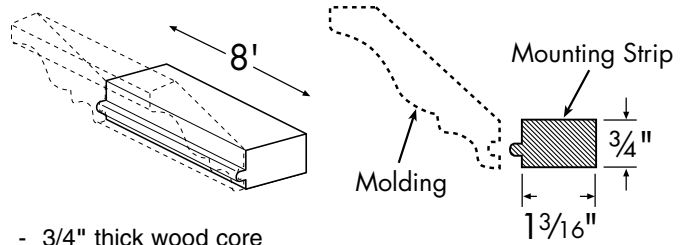
**ACM8**



- 3/4" thick wood core, veneer wrapped
- Use with TMMS8 for top of cabinet installation
- Available in WCN, HCN, KCB, LCN, & LCB door styles only

**Top Molding Mounting Strip**

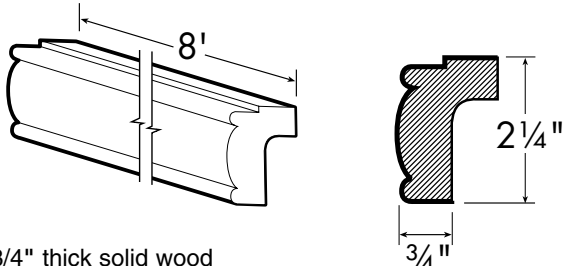
**TMMS8**



- 3/4" thick wood core
- Available in Standard & Full Overlay door styles

**Classic Light Rail**

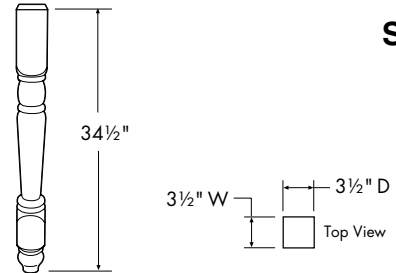
**CLR8**



- 3/4" thick solid wood
- Available in Standard (except WLO & VHS) & Full Overlay door styles

**Spindle**

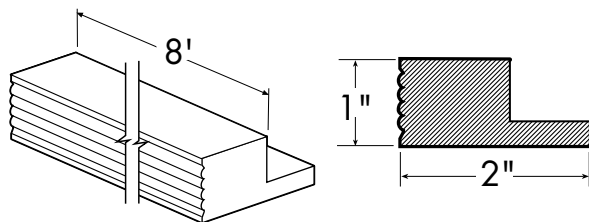
**SPL**



- Solid hardwood
- Available in Standard (except WLO & VHS) & Full Overlay (except HAW) door styles

**Beaded Light Rail**

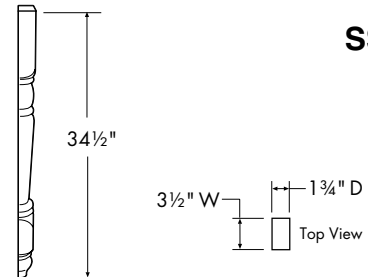
**BLR8**



- 3/4" thick solid wood
- Available in Standard (except WLO & VHS) & Full Overlay (except HAW) door styles

**Split Spindle**

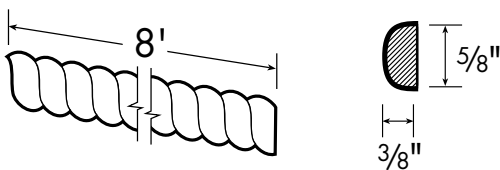
**SSPL**



- Solid hardwood
- Available in Standard (except WLO & VHS) & Full Overlay (except HAW) door styles

**Rope Molding**

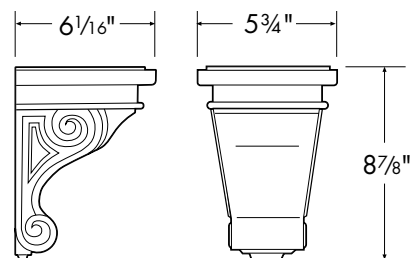
**RM8**



- 3/4" thick solid wood
- Available in Standard (except WLO & VHS) & Full Overlay (except HAW) door styles

**Corbel**

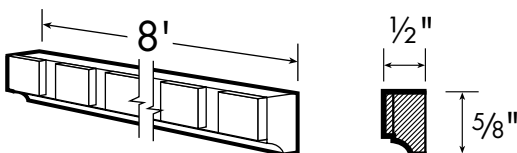
**CBL**



- Solid hardwood
- Available in Standard (except WLO & VHS) & Full Overlay (except HAW) door styles

**Dentil Molding**

**DM8**



- 3/4" thick solid wood
- Available in Standard (except WLO & VHS) & Full Overlay (except HAW) door styles

**Touch-Up Kit**

**TUK-AW  
TUK-BG  
TUK-CB  
TUK-CG  
TUK-CN  
TUK-HS  
TUK-LO  
TUK-TG**



- Includes fill stick, touch-up pen, and 4-door bumpers

**NOTE: Thick dark lines indicate finished edges**

**DH43-114**



- Traditional pull
- Antique silver
- 3-3/4" center
- 4-1/2" outside length

**DH43-628**



- Backplate for DH43-632 or DH43-614
- Oiled bronze
- 3-3/4" center
- 5-1/4" outside length

**DH43-826**



- Elongated oval knob
- Antique pewter

**DH43-124**



- Octagon knob
- Antique silver
- 1-3/8" diameter

**DH43-630**



- Elongated oval knob
- Oiled bronze

**DH43-828**



- Classic pull
- Antique pewter
- 3-3/4" center
- 4-3/4" outside length

**DH43-614**



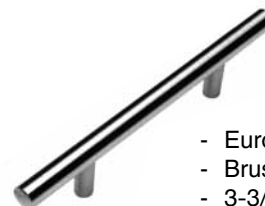
- Traditional pull
- Oiled bronze
- 3-3/4" center
- 4-1/2" outside length

**DH43-632**



- Classic pull
- Oiled bronze
- 3-3/4" center
- 4-3/4" outside length

**DH45-100**



- Euro railing pull
- Brushed nickel
- 3-3/4" center
- 7" outside length

**DH43-618**



- Octagon knob
- Oiled bronze
- 1-3/8" diameter

**DH43-820**



- Screw-head cup pull
- Antique pewter
- 2-1/2" center
- 4-1/8" outside length

**DH45-102**



- Euro railing pull
- Brushed nickel
- 6-15/16" center
- 10" outside length

**DH43-624**



- Screw-head cup pull
- Oil rubbed bronze
- 2-1/2" center
- 4-1/8" outside length

**DH43-824**



- Backplate for DH43-828
- Antique pewter
- 3-3/4" center
- 5-1/4" outside length

**DH45-104**



- Euro railing pull
- Brushed nickel
- 9-3/4" center
- 13" outside length

**DH65-120**



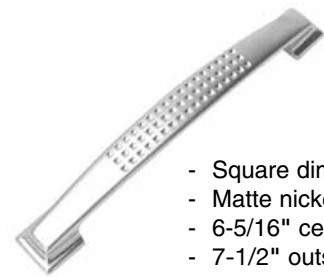
- Birdcage pull
- Antique iron
- 3-3/4" center
- 4-1/2" outside length

**DH87-112**



- Ribbed bow pull
- Brushed nickel
- 3-3/4" center
- 4-3/16" outside length

**DH95-104**



- Square dimpled pull
- Matte nickel
- 6-5/16" center
- 7-1/2" outside length

**DH65-200**



- Birdcage knob
- Antique iron
- 2-1/2" diameter

**DH88-104**



- Arrowhead knob
- Antique pewter

**DH95-144**



- Square dimpled knob
- Matte nickel

**DH65-402**



- Birdcage pull
- Stainless steel
- 3-3/4" center
- 4" outside length

**DH88-110**



- Arrowhead pull
- Antique pewter
- 5" center
- 7-1/2" outside length

**DH99-128**



- Contemporary bow pull
- Brushed nickel
- 3-3/4" center
- 5-1/2" outside length

**DH65-432**



- Birdcage knob
- Stainless steel

**DH93-112**



- Raised mitered pull
- Antique pewter
- 5" center
- 6-3/8" outside length

**DH99-188**



- Round knob
- Brushed nickel
- 1-1/4" diameter

**DH87-102**



- Square ribbed knob
- Brushed nickel

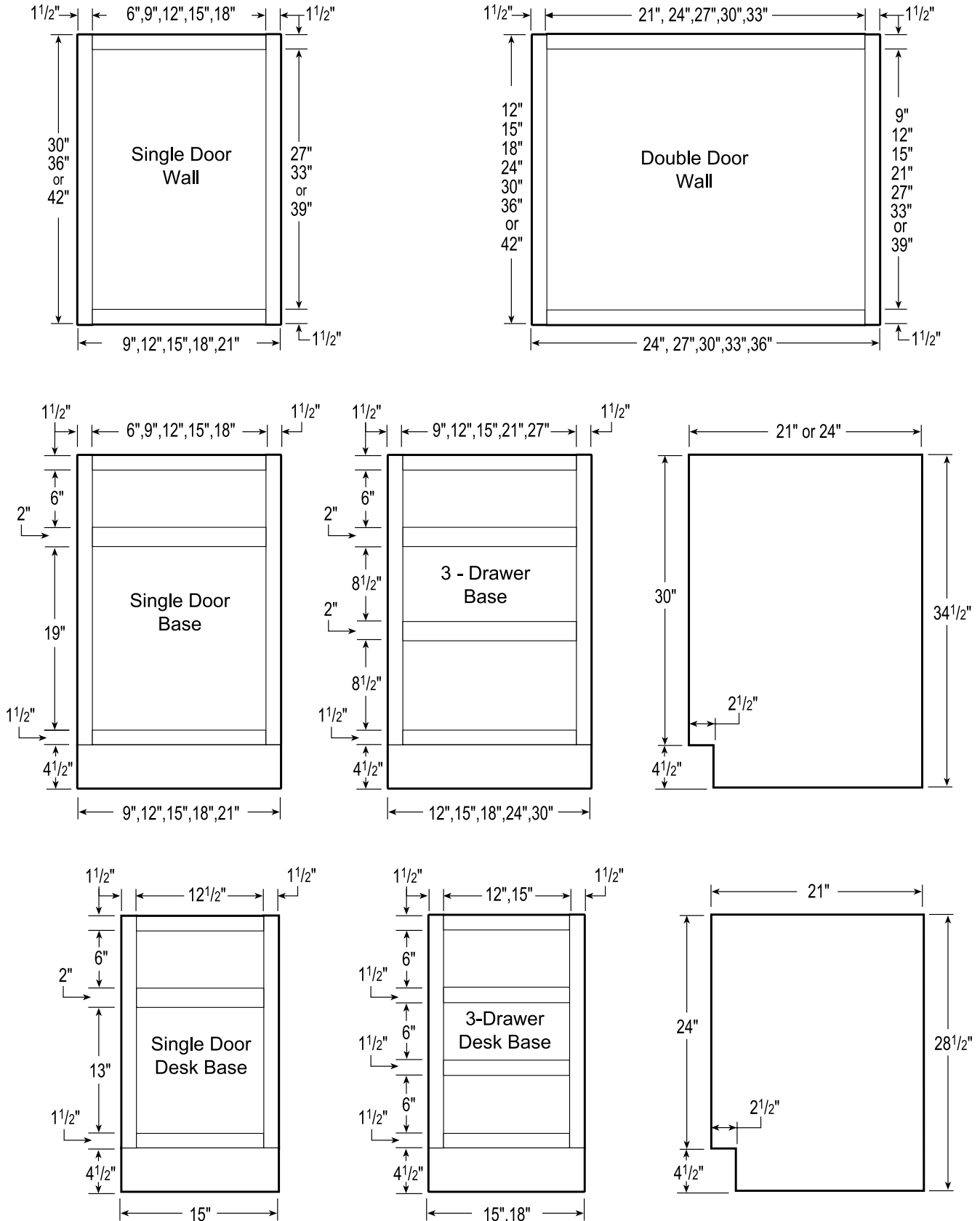
**DH93-152**



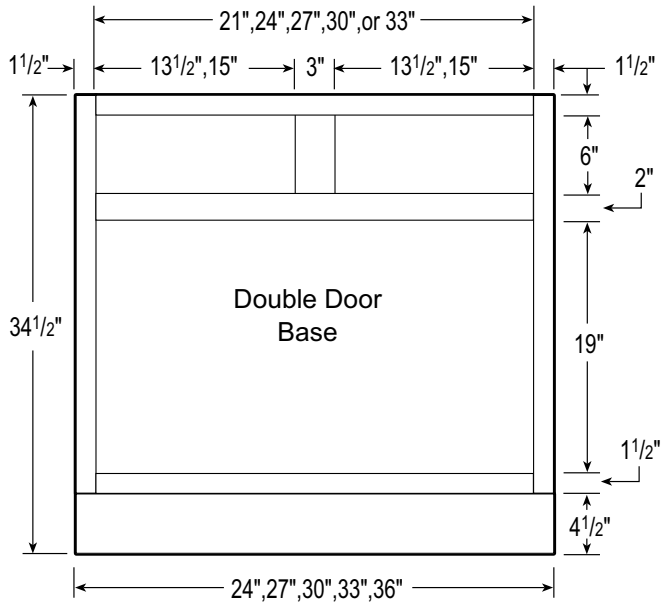
- Raised mitered knob
- Antique pewter

**REMINDER:**

**Full overlay cabinets require decorative hardware.**



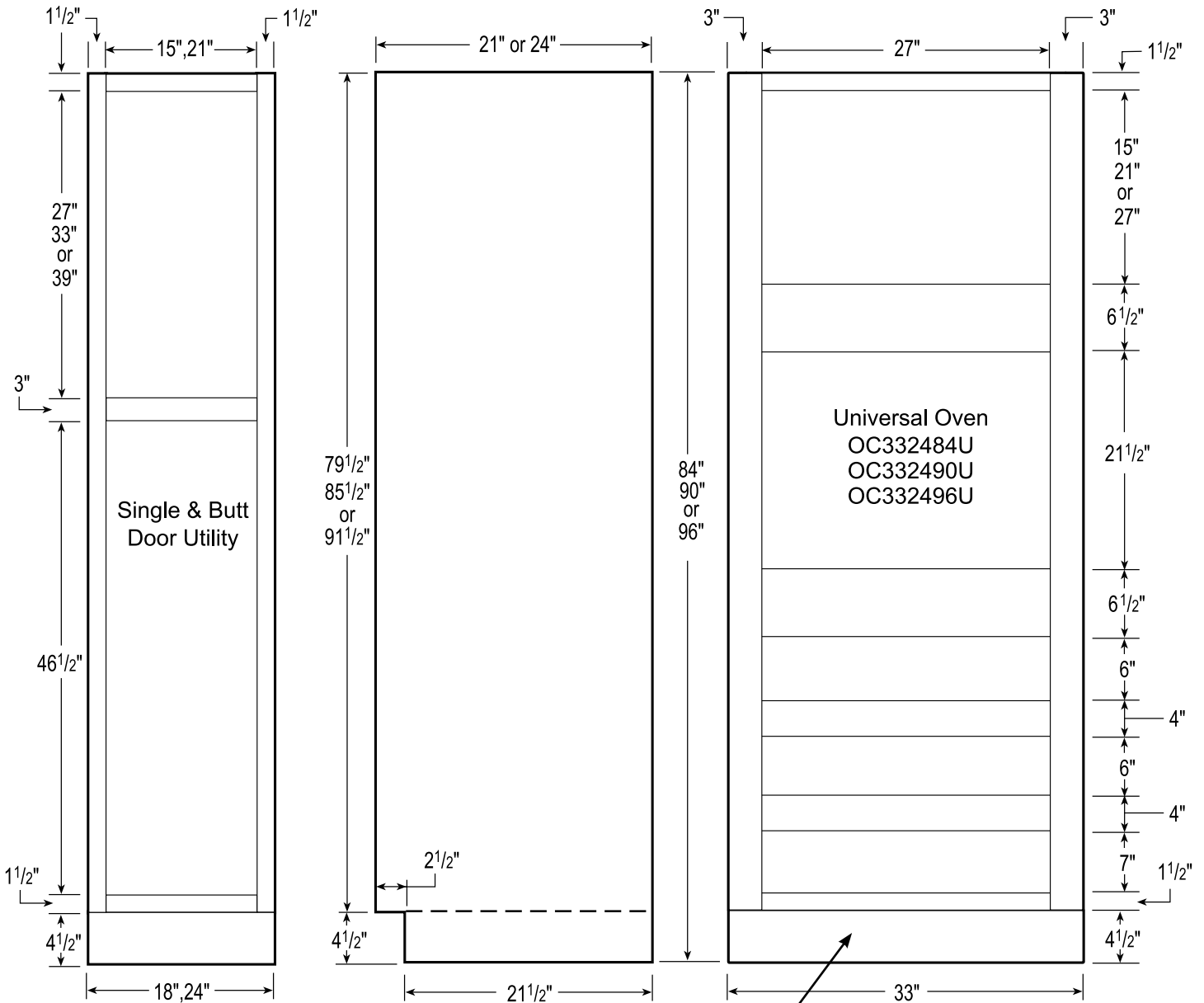
**NOTE: ALL DRAWINGS DEPICT FULL OVERLAY PRODUCT. STANDARD OVERLAY WILL HAVE A 3" CENTER STILE IN ALL DOUBLE DOOR CABINETS 30" AND WIDER.**



NOTE: B27, B30 have full width drawers

DRAWER BOX INSIDE DIMENSIONS						
CABINET	SHALLOW DRAWER			DEEP DRAWER		
	HEIGHT	DEPTH	WIDTH	HEIGHT	DEPTH	WIDTH
B12, BD12	4-3/8"	19-11/16"	6-7/8"	6-3/4"	19-11/16"	6-7/8"
VB1221, VBD1221	4-3/8"	16-11/16"	6-7/8"	6-3/4"	16-11/16"	6-7/8"
B15, BBCU42, BD15	4-3/8"	19-11/16"	9-7/8"	6-3/4"	19-11/16"	9-7/8"
VB1521, VBD1521	4-3/8"	16-11/16"	9-7/8"	6-3/4"	16-11/16"	9-7/8"
DDO15, DDR15	4-3/8"	19-11/16"	9-7/8"	N/A	N/A	N/A
B18, BD18	4-3/8"	19-11/16"	12-7/8"	6-3/4"	19-11/16"	12-7/8"
VB1821, VBD1821	4-3/8"	16-11/16"	12-7/8"	6-3/4"	16-11/16"	12-7/8"
B21	4-3/8"	19-11/16"	15-7/8"	N/A	N/A	N/A
B24, BD24	4-3/8"	19-11/16"	18-7/8"	6-3/4"	19-11/16"	18-7/8"
VB2421	4-3/8"	16-11/16"	18-7/8"	N/A	N/A	N/A
B27	4-3/8"	19-11/16"	21-7/8"	N/A	N/A	N/A
B30, BD30	4-3/8"	19-11/16"	24-7/8"	6-3/4"	19-11/16"	24-7/8"
VB3021	4-3/8"	16-11/16"	24-7/8"	N/A	N/A	N/A
B33	4-3/8"	19-11/16"	11-1/4"	N/A	N/A	N/A
B36	4-3/8"	19-11/16"	12-7/8"	N/A	N/A	N/A
VB3621	4-3/8"	16-11/16"	12-7/8"	N/A	N/A	N/A
OC332484U, OC332490U, OC332496U	4-3/8"	19-11/16"	24-7/8"	N/A	N/A	N/A

NOTE: ALL DRAWINGS DEPICT FULL OVERLAY PRODUCT. STANDARD OVERLAY WILL HAVE A 3" CENTER STILE IN ALL DOUBLE DOOR CABINETS 30" AND WIDER.



**NOTE: 96" TALL CABINETS TO BE SUPPLIED WITH LOOSE TOE KICK BOX (EXPOSED SIDES REQUIRE TSK96)**



# Cabinet Front Availability Guide

CABINET FRONT ONLY FOR	SKU	STANDARD OVERLAY			FULL OVERLAY		
		WALKINGTON	VERMONT WESTPORT	HERITAGE	HAMILTON	HAWTHORNE KENYON FULTON	LANCASTER LANGSTON LEXINGTON HAVEN & RIDGEWAY
W0930	CFOW0930	X	X	X	X	X	X
W0936	CFOW0936	N/A	N/A	N/A	X	X	X
W0942	CFOW0942	X	X	X	X	X	X
W1230	CFOW1230	X	X	X	X	X	X
W1236	CFOW1236	N/A	N/A	N/A	X	X	X
W1242	CFOW1242	X	X	X	X	X	X
W1530	CFOW1530	X	X	X	X	X	X
W1536	CFOW1536	N/A	N/A	N/A	X	X	X
W1542	CFOW1542	X	X	X	X	X	X
W1830	CFOW1830	X	X	X	X	X	X
W1836	CFOW1836	N/A	N/A	N/A	X	X	X
W1842	CFOW1842	X	X	X	X	X	X
W2130	CFOW2130	X	X	X	X	X	X
W2136	CFOW2136	N/A	N/A	N/A	X	X	X
W2142	CFOW2142	X	X	X	X	X	X
W2430	CFOW2430	X	X	X	X	X	X
W2436	CFOW2436	N/A	N/A	N/A	X	X	X
W2442	CFOW2442	X	X	X	X	X	X
W2730	CFOW2730	X	X	X	X	X	X
W2736	CFOW2736	N/A	N/A	N/A	X	X	X
W2742	CFOW2742	X	X	X	X	X	X
W3012	CFOW3012	X	X	X	X	X	X
W3015	CFOW3015	X	X	X	X	X	X
W3018	CFOW3018	X	X	X	X	X	X
W3024	CFOW3024	X	X	X	X	X	X
W3030	CFOW3030	X	X	X	X	X	X
W3036	CFOW3036	N/A	N/A	N/A	X	X	X
W3042	CFOW3042	X	X	X	X	X	X
W3315	CFOW3315	X	X	X	X	X	X
W3330	CFOW3330	X	X	X	X	X	X
W3336	CFOW3336	N/A	N/A	N/A	X	X	X
W3342	CFOW3342	X	X	X	X	X	X
W3612	CFOW3612	X	X	X	X	X	X
W3615	CFOW3615	X	X	X	X	X	X
W3618	CFOW3618	X	X	X	X	X	X
W3624	CFOW3624	X	X	X	X	X	X
W3630	CFOW3630	X	X	X	X	X	X
W3636	CFOW3636	N/A	N/A	N/A	X	X	X
W3642	CFOW3642	X	X	X	X	X	X
B12	CFOB12	X	X	X	X	X	X
B15	CFOB15	X	X	X	X	X	X
B18	CFOB18	X	X	X	X	X	X
B21	CFOB21	X	X	X	X	X	X
B24	CFOB24	X	X	X	X	X	X
B27	CFOB27	X	X	X	X	X	X
B30	CFOB30	X	X	X	X	X	X
B33	CFOB33	X	X	X	X	X	X
B36	CFOB36	X	X	X	X	X	X
U1884	CFOU1884	X	X	X	X	X	X
U1890	CFOU1890	N/A	N/A	N/A	X	X	X
U1896	CFOU1896	X	X	X	X	X	X
U2484	CFOU2484	X	X	X	X	X	X
U2490	CFOU2490	N/A	N/A	N/A	X	X	X
U2496	CFOU2496	X	X	X	X	X	X



## Limited Lifetime Warranty

All Wood (warrantor) warrants to the original consumer purchaser only, that all products manufactured or supplied by warrantor will be free from defects in material and workmanship under normal use and service for your lifetime as long as you own the cabinetry. Proof of Purchase is required. These warranties are only applicable to product used for Residential Purposes and is not transferable to Subsequent owners.

This warranty does not cover damage resulting from normal wear, accident, misuse or lack of reasonable and necessary maintenance and service; nor does it warranty the improper installation or unauthorized repair, alteration, or modification or defects in the product when the product is installed.

In the event of a warranted product performance issue, report in writing to:

Warranty Department  
210 Century Boulevard  
Bartow, FL 33830

Warranty claim requests must include proof of purchase documentation, description of warranty issue (include photos where possible), door style and part numbers/nomenclature:

“Replacement door for B12 in HCN door style”

It is our option to provide repair parts or replace functionally equivalent product. Return of product may be required for replacements. Such repair parts or replacement shall be at warrantor’s expense, but customer shall bear all other expenses, including, but not limited to, cost of removal, transportation, re-installation, communication and any special service required by customer such as, overtime labor, etc.

Natural woods vary in color and grain pattern and exhibit color change over time. Cabinets may darken or lighten with age due to exposure to certain environmental conditions including but not limited to sunlight, moisture, household cleaners, smoke, etc. These variations are considered the natural characteristics of the material and are not covered under these warranties.

**EXCEPT TO THE EXTENT PROVIDED BY APPLICABLE LAW, ALL IMPLIED WARRANTIES, INCLUDING WARRANTIES OF MERCHANTABILITY AND FITNESS FOR A PARTICULAR PURPOSE, ARE LIMITED IN DURATION TO THE SHORTER OF THE PERIOD PROVIDED BY LAW OR THE PERIOD OF THIS WARRANTY, AND UNDER NO CIRCUMSTANCE SHALL ALL WOOD BE LIABLE FOR INCIDENTAL OR CONSEQUENTIAL DAMAGES SUSTAINED IN CONNECTION WITH THE PRODUCT. THE EXPRESS WARRANTY ABOVE CONSTITUTES THE ENTIRE WARRANTY AND IS IN LIEU OF ALL OTHERS EXPRESSED OR IMPLIED.**

Some states do not allow the exclusion or limitation of incidental or consequential damages, or limitation on how long an implied warranty lasts, therefore, the above limitations or exclusions may not apply to you.

This warranty gives you specific legal rights, and you may also have other rights, which vary from state to state.

### INDEMNITY

All Wood shall not be liable for either its failure to perform or its delays in performance hereunder arising out of or resulting from causes beyond its control, including but not limited to, acts of God, acts of Representation, acts of Government, wars, fires, floods, epidemics, quarantine, strike, freight embargoes, weather or default by suppliers due to any such causes.