



P

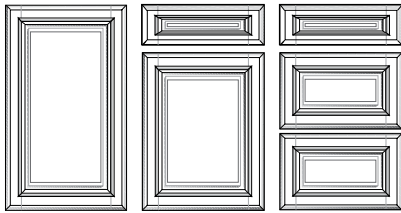
RODUCT SPECIFICATION GUIDE



Member
NKBATM

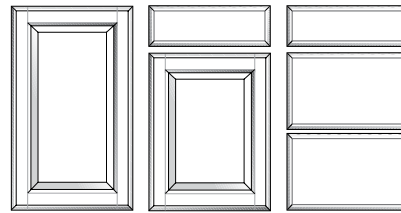
JUNE 2009

Heritage (HCG)



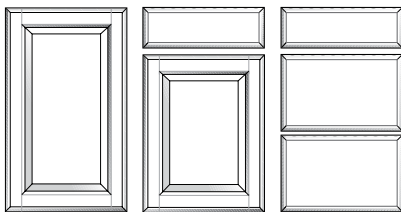
- 3/4" thick, standard overlay solid maple frame wall and base doors with solid maple square raised center panels and 3/4" wide applied picture frame molding
- 3/4" thick, standard overlay solid maple frame drawer fronts with solid maple square raised center panels and 3/4" wide applied picture frame molding
- Fully concealed hinges
- Available in Chocolate Glaze finish
- Door and drawer fronts have reverse bevel eliminating the need for decorative hardware if not desired

Walkington (WLO)



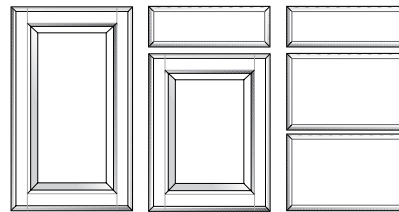
- 3/4" thick, standard overlay solid oak frame wall and base doors with solid oak square raised center panels
- 3/4" thick, standard overlay solid oak profiled slab drawer fronts
- Fully concealed hinges
- Available in Light Oak finish
- Door and drawer fronts have a finger pull rout eliminating the need for decorative hardware if not desired

Vermont (VHS)



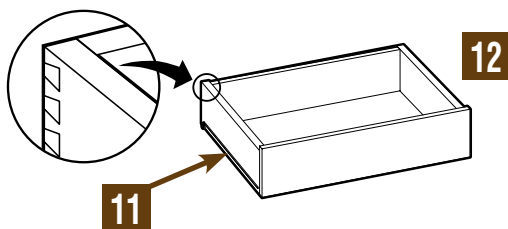
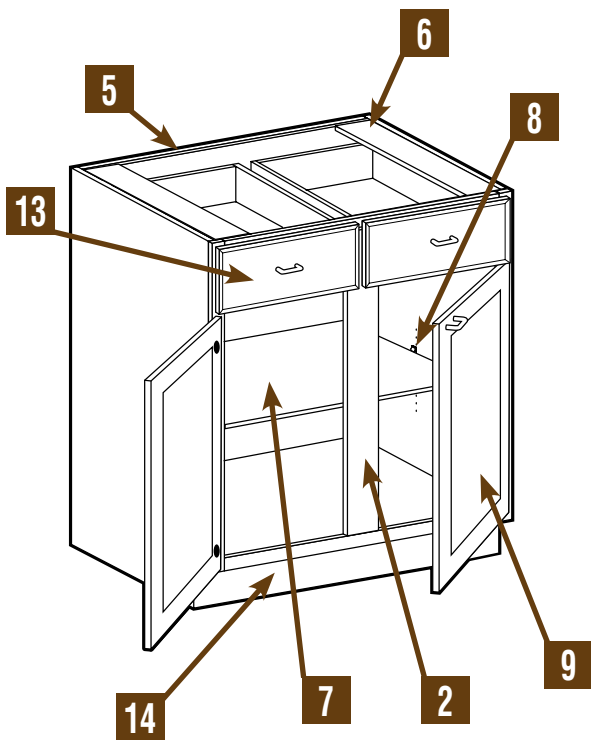
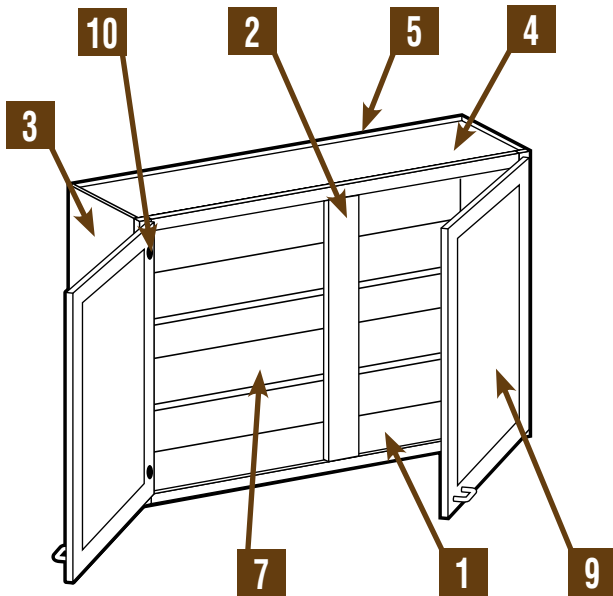
- 3/4" thick, standard overlay solid maple frame wall and base doors with solid maple square raised center panels
- 3/4" thick, standard overlay solid maple profiled slab drawer fronts
- Fully concealed hinges
- Available in Honey Spice finish
- Door and drawer fronts have finger pull rout eliminating the need for decorative hardware if not desired

Westport (WCN)



- 3/4" thick, standard overlay solid maple frame wall and base doors with solid maple square raised center panels
- 3/4" thick, standard overlay solid maple profiled slab drawer fronts
- Fully concealed hinges
- Available in Cinnamon finish
- Door and drawer fronts have finger pull rout eliminating the need for decorative hardware if not desired

"SILVER Series" cabinetry is constructed from various pieces of solid wood/ wood veneers and differences in grain pattern and color should be expected. Color differences in wood are the result of variations in minerals found in the soil native to the tree's origin. Absorption of these minerals will vary by tree or parts of said tree. In addition, color changes can be experienced due to different exposure to light. All species of wood will display characteristics such as knots, pinholes, sap runs, mineral streaks and darkening with age. It is the natural beauty of wood to exhibit these characteristics and they will be present throughout your cabinetry. Our Chocolate Glaze finish features hand applied glaze applied over the base stain which accentuates the door and drawer front profiles. This glazing, combined with occasional fly specks, dents, drips and runs is random and intentional in design to mimic the look of distressed furniture."

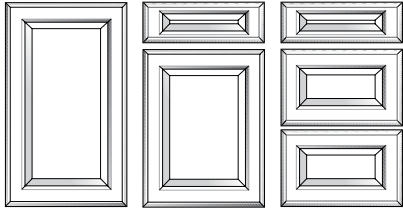


1	INTERIOR	Light maple print laminated to 1/2" thick plywood provides sanitary, wipe clean finish
2	FACE FRAME	3/4" thick solid oak or maple doweled and joint glued
3	END PANELS	1/2" thick plywood with matching print laminated exterior and light maple print interior
4	FLOOR & CEILING	1/2" thick plywood with light maple print laminated both sides captured by end panels
5	BACK	1/2" thick plywood with light maple print laminated one side captured by end panels
6	"I-BEAM" SUPPORTS	1/2" thick plywood, full depth braces provide stability and support for countertop attachment
7	SHELVES	3/4" thick adjustable plywood with light maple print laminated both sides with matching edgebanding. Base shelves are full depth.
8	SHELF SUPPORTS	Clear, high strength plastic with locking top tab to prevent shelf tip. Provides for easy shelf adjustment.
9	DOORS	Stylish doors available in oak and maple featuring finger pull routing or reverse bevel, eliminating the need for decorative hardware, unless desired. SOFT CLOSE DOOR OPTION AVAILABLE. CONSULT WALL CABINET SECTION OF SPECIFICATION GUIDE FOR DETAILS.
10	HINGES	Fully concealed, 110° opening featuring multiple adjustments for ease of alignment
11	RUNNERS/ GLIDES	Drawers and roll-out trays have epoxy coated, undermount suspension system with 75 lb. load capacity and smooth closing operation. FULL EXTENSION (FX) OPTION IS AVAILABLE. CONSULT BASE CABINET SECTION OF SPECIFICATION GUIDE FOR DETAILS.
12	DRAWERS & ROLL-OUT TRAYS	5/8" thick solid hardwood, four-sided dovetail with 1/4" thick captured plywood floor, all finished with clear top coat to coordinate with cabinet interior
13	DRAWER FRONTS	Stylish drawer fronts available in oak and maple featuring finger pull routing or reverse bevel, eliminating the need for decorative hardware, unless desired
14	TOE KICK	1/2" thick plywood secured between end panels. Provides solid backing for installation of matching toe kick or other materials such as ceramic, vinyl, etc.



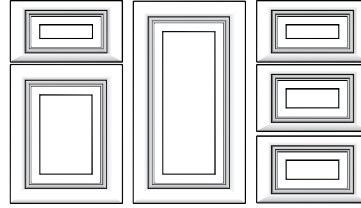
Specifications subject to change without notice.

Hamilton (HAW)



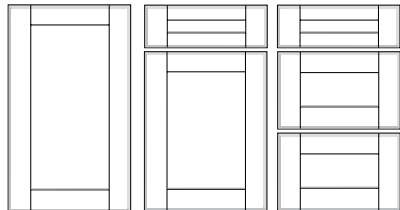
- 3/4" thick, full overlay solid MDF raised panel vinyl clad wall and base doors
- 3/4" thick, full overlay solid MDF raised panel vinyl clad drawer fronts
- Fully concealed hinges
- Available in Arctic White Vinyl
- Decorative hardware required

Lexington (LCB)



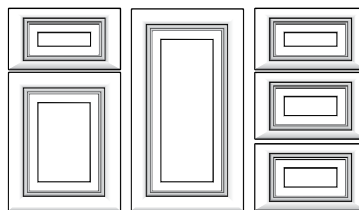
- 3/4" thick, "pillow top" full overlay solid maple miter 2" frame wall and base doors with solid maple square raised center panels
- 3/4" thick, "pillow top" full overlay solid maple miter 2" frame drawer fronts with solid maple square raised center panels. Top drawer fronts are constructed with 2" stiles and rails.
- Fully concealed hinges
- Available in Cabernet finish
- Decorative hardware required

Hawthorne (HCN)



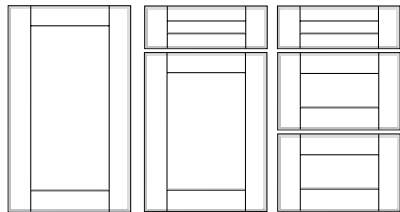
- 3/4" thick, full overlay solid maple 3" frame wall and base doors with 5/8" thick solid maple square recessed panels
- 3/4" thick full overlay solid maple 3" frame drawer fronts with 5/8" thick solid maple square recessed center panels
- Fully concealed hinges
- Available in Cinnamon finish
- Decorative hardware required

Langston (LCN)



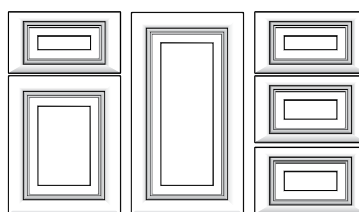
- 3/4" thick, "pillow top" full overlay solid maple miter 2" frame wall and base doors with solid maple square raised center panels
- 3/4" thick, "pillow top" full overlay solid maple miter 2" frame drawer fronts with solid maple square raised center panels. Top drawer fronts are constructed with 2" stiles and rails.
- Fully concealed hinges
- Available in Cinnamon finish
- Decorative hardware required

Kenyon (KCB)



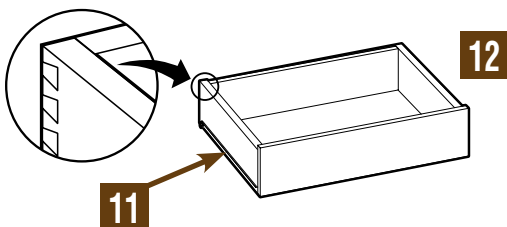
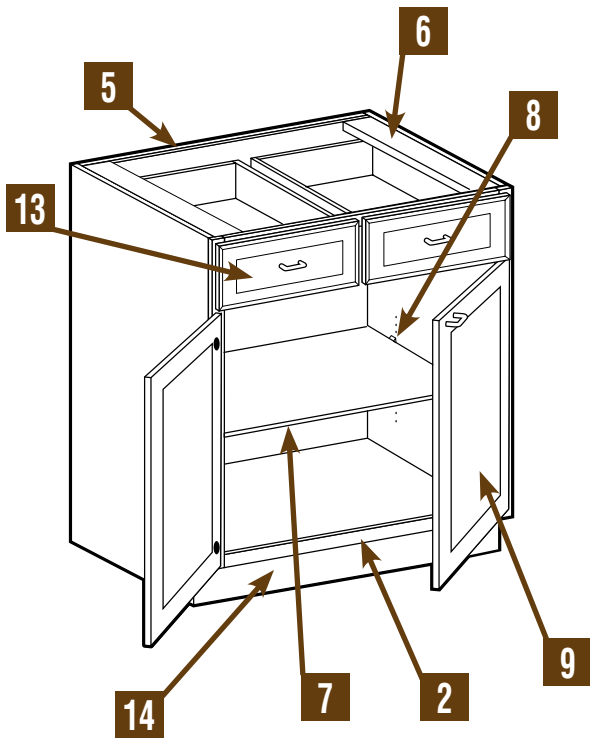
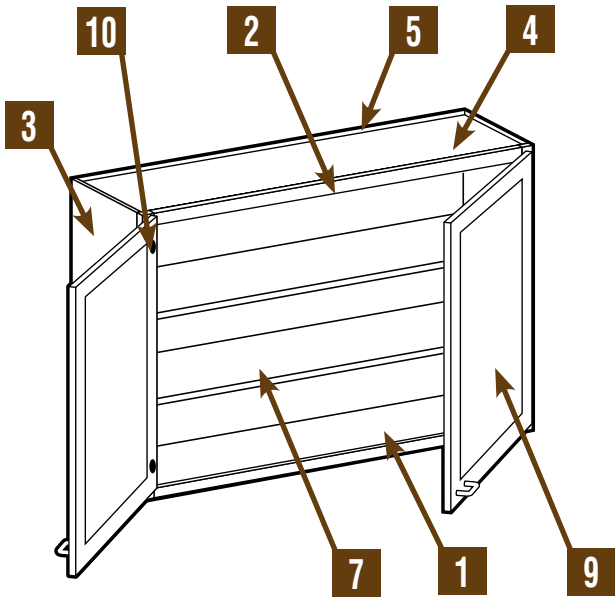
- 3/4" thick, full overlay solid maple 3" frame wall and base doors with 5/8" thick solid maple square recessed panels
- 3/4" thick full overlay solid maple 3" frame drawer fronts with 5/8" thick solid maple square recessed center panels
- Fully concealed hinges
- Available in Cabernet finish
- Decorative hardware required

Lancaster (LTG)



- 3/4" thick, "pillow top" full overlay solid maple miter 2" frame wall and base doors with solid maple square raised center panels
- 3/4" thick, "pillow top" full overlay solid maple miter 2" frame drawer fronts with solid maple square raised center panels. Top drawer fronts are constructed with 2" stiles and rails.
- Fully concealed hinges
- Available in Toffee Glaze finish
- Decorative hardware required

"GOLD Series" cabinetry is constructed from various pieces of solid wood and wood veneers or white PVC on plywood. Differences in grain pattern and color should be expected. Color differences in wood are the result of variations in minerals found in the soil native to the tree's origin. Absorption of these minerals will vary by tree or parts of said tree. In addition, color changes can be experienced due to different exposure to light. All species of wood will display characteristics such as knots, pinholes, sap runs, mineral streaks and darkening with age. It is the natural beauty of wood to exhibit these characteristics and they will be present throughout your cabinetry. Our Toffee Glaze finish features hand applied glaze applied over the base stain which accentuates the door and drawer front profiles. This glazing, combined with occasional fly specks, dents, drips and runs is random and intentional in design to mimic the look of distressed furniture. The Arctic White finished product features solid wood painted face frames. As with any painted wood surface, expansion and contraction with changes in climate may cause fractures in the paint surface at joints. This is an acceptable characteristic and will vary based on climate conditions. In addition, there may be a slight color shift over time due to continued exposure to both natural and artificial light."



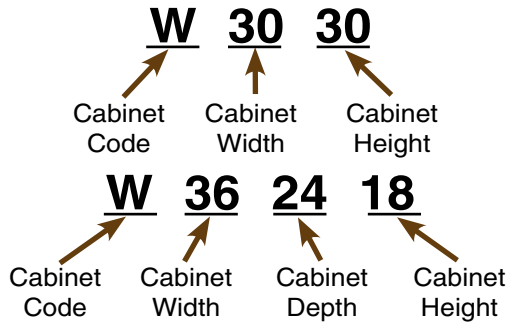
1	INTERIOR	Light maple print laminated to 1/2" thick plywood provides sanitary, wipe clean finish
2	FACE FRAME	3/4" thick solid maple doweled and joint glued
3	END PANELS	1/2" thick plywood with matching print laminated exterior and light maple print interior
4	FLOOR & CEILING	1/2" thick plywood with light maple print laminated both sides captured by end panels
5	BACK	1/2" thick plywood with light maple print laminated one side captured by end panels
6	"I-BEAM" SUPPORTS	1/2" thick plywood, full depth braces provide stability and support for countertop attachment
7	SHELVES	3/4" thick adjustable plywood with light maple print laminated both sides with matching edgebanding. Base shelves are full depth.
8	SHELF SUPPOTS	Clear, high strength plastic with locking top tab to prevent shelf tip. Provides for easy shelf adjustment.
9	DOORS	Stylish full overlay doors available in maple and white. SOFT CLOSE DOOR OPTION AVAILABLE. CONSULT WALL CABINET SECTION OF SPECIFICATION GUIDE FOR DETAILS.
10	HINGES	Fully concealed, 110° opening featuring multiple adjustments for ease of alignment.
11	RUNNERS/ GLIDES	Drawers and roll-out trays have epoxy coated, undermount suspension system with 75 lb. load capacity and smooth closing operation. FULL EXTENSION (FX) OPTION IS AVAILABLE. CONSULT BASE CABINET SECTION OF SPECIFICATION GUIDE FOR DETAILS.
12	DRAWERS & ROLL-OUT TRAYS	5/8" thick solid hardwood, four-sided dovetail with 1/4" thick captured plywood floor, all finished with clear top coat to coordinate with cabinet interior.
13	DRAWER FRONTS	Stylish full overlay drawer fronts available in maple and white.
14	TOE KICK	1/2" thick plywood secured between end panels. Provides solid backing for installation of matching toe kick or other materials such as ceramic, vinyl, etc.



Specifications subject to change without notice.

WALL CABINET CODING

Note: Standard wall cabinets are 12" deep. Refrigerator wall cabinets are 24" deep. Add door thickness for total depth.



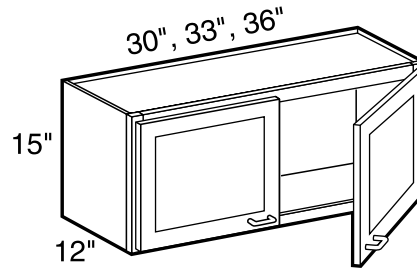
SPECIFICATION DRAWINGS DEPICT GOLD SERIES PRODUCTS. SILVER SERIES FEATURE CENTER STILES IN CABINETS 30" AND WIDER.

15" High Double Door

W3015

W3315

W3615

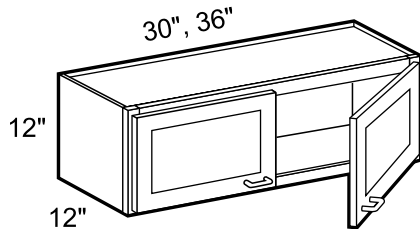


- No shelf
- Available in Silver & Gold Series door styles

12" High Double Door

W3012

W3612

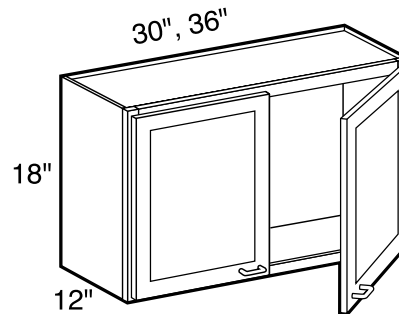


- No shelf
- Available in Silver & Gold Series door styles

18" High Double Door

W3018

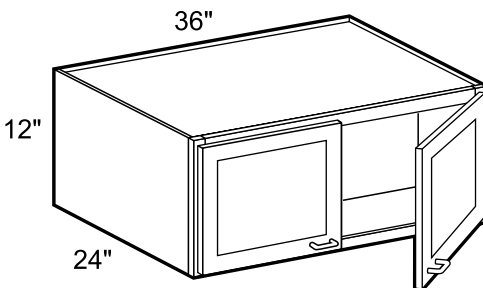
W3618



- No shelf
- Available in Silver & Gold Series door styles

12" High Double Door

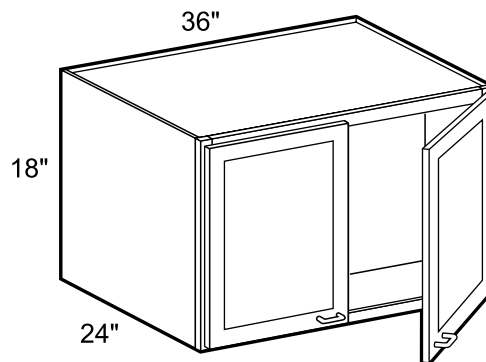
W362412



- No shelf
- Must be installed between two cabinets, wall and cabinet or supported by refrigerator panels (RP)
- Available in Silver (except WLO & VHS) and Gold Series door styles

18" High Double Door

W362418

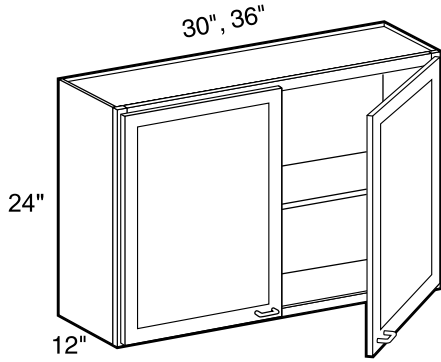


- No shelf
- Must be installed between two cabinets, wall and cabinet or supported by refrigerator panels (RP)
- Available in Gold Series door styles only

24" High Double Door

W3024

W3624



- One adjustable shelf
- Available in Silver & Gold Series door styles

42" High Single Door

SPECIFY R or L

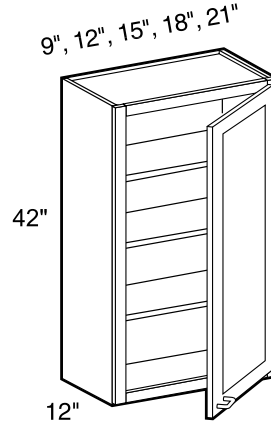
W0942

*W1242

*W1542

*W1842

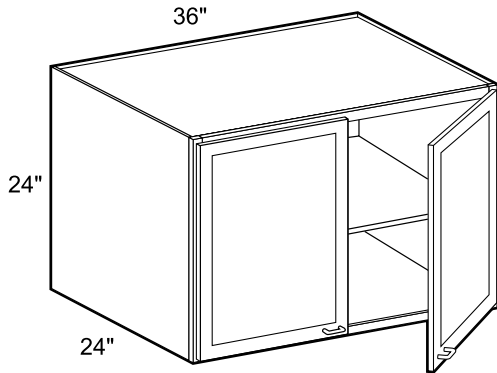
W2142



- Three adjustable shelves *Mullion door available (except HAW)
- Available in Silver & Gold Series door styles

24" High Double Door

W362424



- One adjustable shelf
- Must be installed between two cabinets, wall and cabinet or supported by refrigerator panels (RP)
- Available in Silver and Gold Series door styles

30" High Double Door

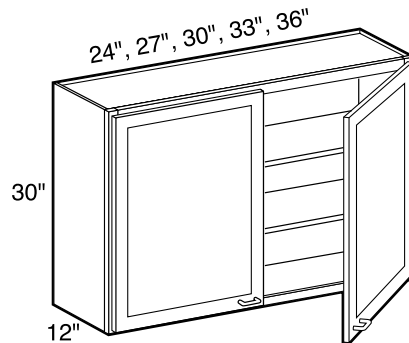
*W2430

W2730

*W3030

W3330

*W3630



- Two adjustable shelves *Mullion door available (except HAW)
- Available in Silver (except W2430) & Gold Series door styles

30" High Single Door

SPECIFY R or L

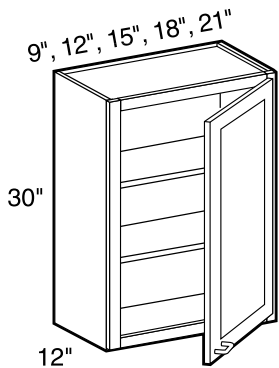
W0930

*W1230

*W1530

*W1830

W2130



- Two adjustable shelves *Mullion door available (except HAW)
- Available in Silver & Gold Series door styles

42" High Double Door

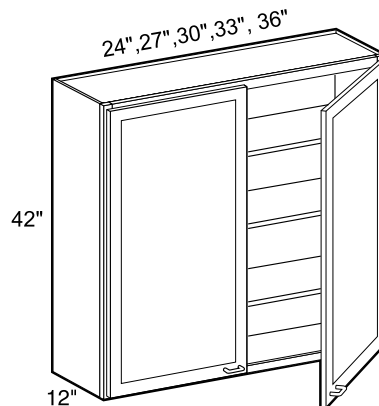
*W2442

W2742

*W3042

W3342

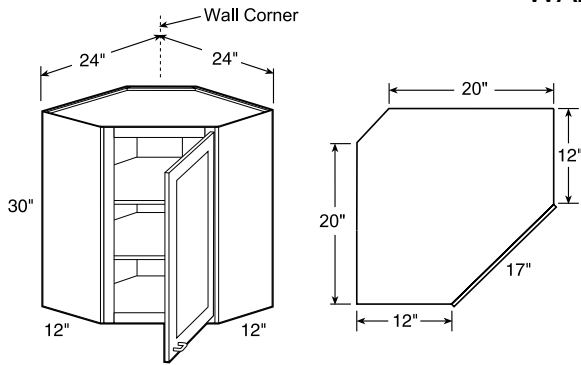
*W3642



- Three adjustable shelves *Mullion door available (except HAW)
- Available in Silver (except W2442) & Gold Series door styles

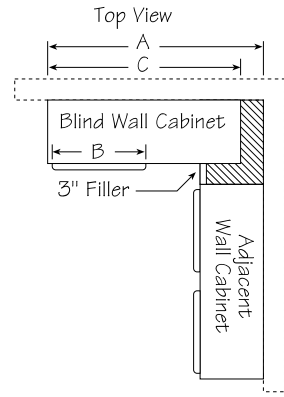
30" High Wall Angle

**SPECIFY R or L
* WA2430**



- Two adjustable shelves *Mullion door available (except HAW)
- Clip corner back provides clearance for installation
- Available in Silver & Gold Series door styles

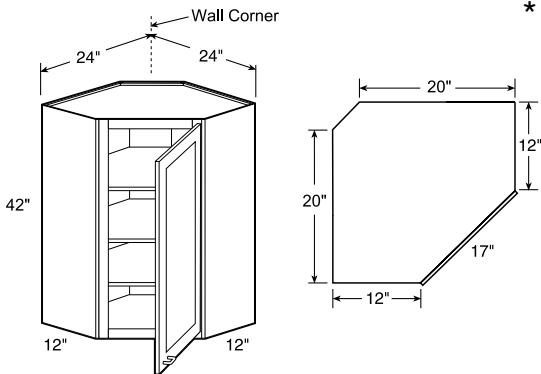
Blind Installation Guide



Cabinet	BLIND WALL INSTALLATION GUIDE							
	SILVER SERIES			GOLD SERIES				
	Wall Space "A"		Door Opening	Wall Space "A"		Door Opening		
	Min	Max	Width "B"	Width "C"	Min	Max	Width "B"	Width "C"
WBCU2730	24"	30"	8 7/8"	24"	25"	30"	8 7/8"	24"
WBCU2742	24"	30"	8 7/8"	24"	25"	30"	8 7/8"	24"

42" High Wall Angle

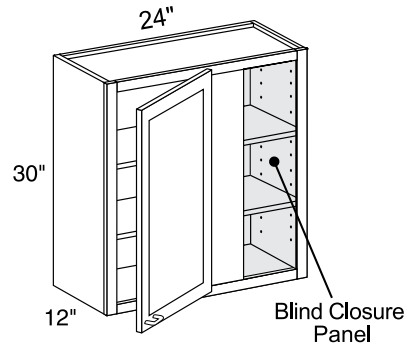
**SPECIFY R or L
* WA2442**



- Three adjustable shelves *Mullion door available (except HAW)
- Clip corner back provides clearance for installation
- Available in Silver & Gold Series door styles

30" High Wall Blind Corner

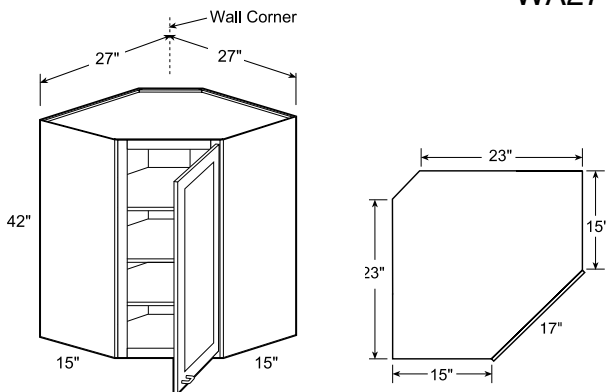
**SPECIFY R or L BLIND
WBCU2730**



- Two adjustable shelves
- Indicate R or L for blind side (right shown)
- Cabinet can be pulled for exact fit (see installation chart)
- 3" filler & 1/8" blind closure panel included
- Available in Silver & Gold Series door styles

42" High 15" Deep Wall Angle

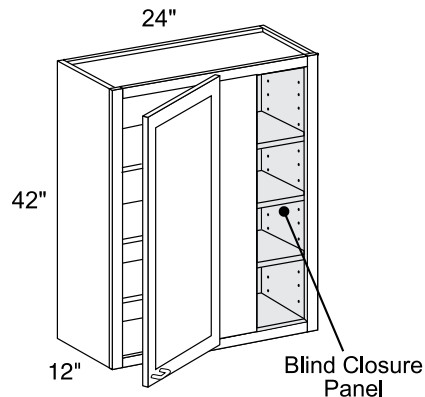
**SPECIFY R or L
* WA271542**



- Three adjustable shelves *Mullion door available (except HAW)
- Clip corner back provides clearance for installation
- Available in Gold Series door styles only

42" High Wall Blind Corner

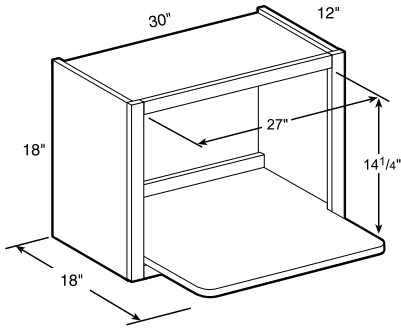
**SPECIFY R or L BLIND
WBCU2742**



- Three adjustable shelves
- Indicate R or L for blind side (right shown)
- Cabinet can be pulled for exact fit (see installation chart)
- 3" filler & 1/8" blind closure panel included
- Available in Silver & Gold Series door styles

Wall Microwave Shelf

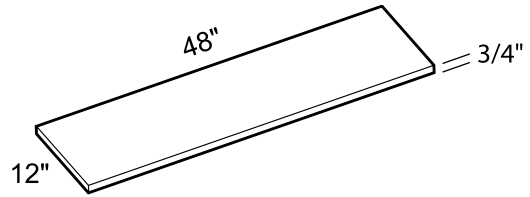
WMS301818



- Matching interior standard
- Must be installed between two cabinets or cabinet and wall
- Available in Silver & Gold Series door styles

Wood Furniture Shelf

WFS48

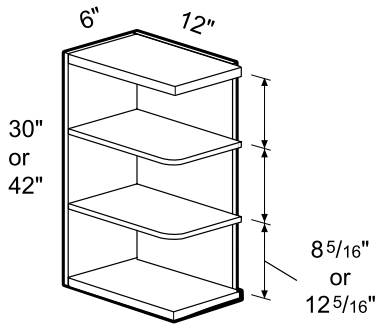


- 3/4" thick wood veneer
- Two long sides edgebanded
- Available in Silver & Gold Series door styles

12" Deep Wall End Open Shelf

WEOS630

WEOS642

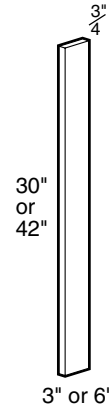


- Reversible, may be installed left or right
- 1/4" thick wood veneer side and 1/2" thick wood veneer back panel
- 1 1/4" thick solid wood square corner top and bottom shelves
- 3/4" thick solid wood intermediate shelves
- Available in Silver & Gold Series door styles

Filler Strips

FS30

FS42

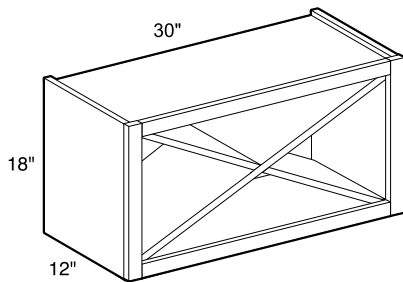


FS630
FS642

- 3/4" thick solid wood
- Face and all edges finished
- Available in Silver & Gold Series door styles

12" Deep Wine Rack

WRX3018

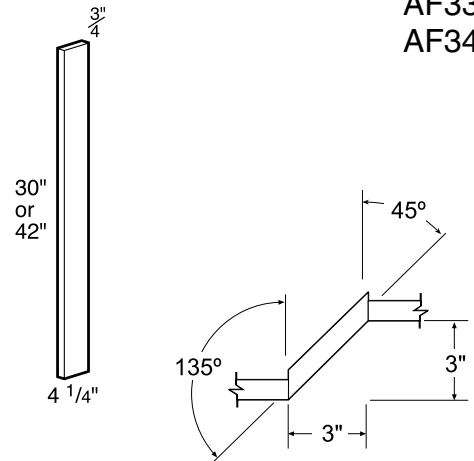


- Matching interior standard
- 3/4" thick solid wood "X" shelf
- Must be installed between two cabinets or cabinet and wall
- Available in Silver & Gold Series door styles

Angle Fillers

AF330

AF342

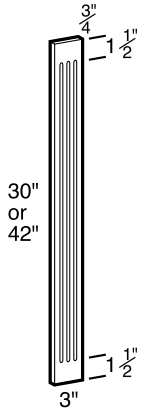


- 3/4" thick solid wood
- Face and all edges finished
- Available in Silver & Gold Series door styles

Fluted Fillers

FF330

FF342

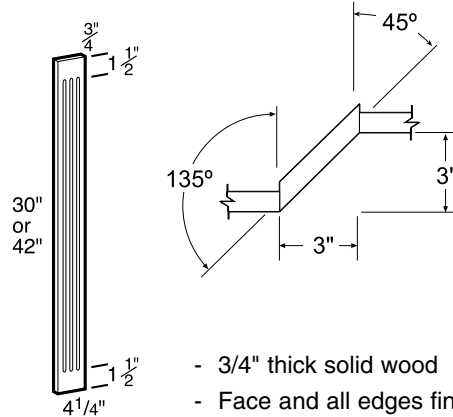


- 3/4" thick solid wood
- Face and all edges finished
- May be trimmed 1/2" each side
- Available in Silver & Gold Series (except HAW) door styles

Angle Fluted Fillers

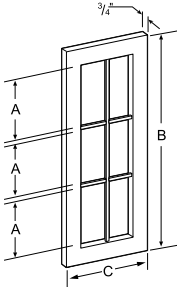
AFF330

AFF342

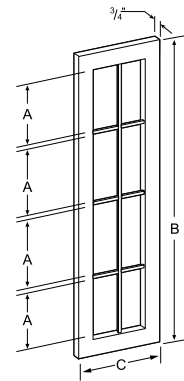


- 3/4" thick solid wood
- Face and all edges finished
- Available in Silver & Gold Series (except HAW) door styles

Mullion Door



MD1230
MD1530
MD1830
MD2430WD

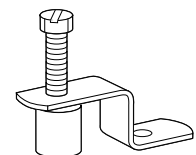


MD1242
MD1542
MD1842
MD2442WD

MULLION DOOR SPECIFICATION, AVAILABILITY & USAGE GUIDE

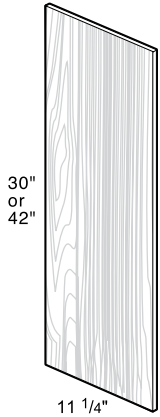
SKU	SILVER SERIES				GOLD SERIES				DESIGNED FOR	QTY.	AVAILABILITY NOTE: MULLION DOORS MAY NOT BE USED ON ANY OTHER CABINET BRANDS
	# OF LITES	DIMENSIONS (inches)			# OF LITES	DIMENSIONS (inches)					
		A	B	C		A	B	C			
MD1230	6	7-1/2	27-3/4	9-3/4	6	8	29-11/16	11-11/16	W1230	1	Silver & Gold Series (except HAW)
MD1230	N/A	N/A	N/A	N/A	6	8	29-11/16	11-11/16	W2430	2	Gold Series Only (except HAW)
MD1530	6	7-1/2	27-3/4	12-3/4	6	8	29-11/16	14-11/16	W1530	1	Silver & Gold Series (except HAW)
MD1530	6	7-1/2	27-3/4	12-3/4	6	8	29-11/16	14-11/16	W3030	2	Silver & Gold Series (except HAW)
MD1530	N/A	N/A	N/A	N/A	6	8	29-11/16	14-11/16	WA2430	1	Gold Series Only (except HAW)
MD1830	6	7-1/2	27-3/4	15-3/4	6	8	29-11/16	17-11/16	W1830	1	Silver & Gold Series (except HAW)
MD1830	6	7-1/2	27-3/4	15-3/4	6	8	29-11/16	17-11/16	W3630	2	Silver & Gold Series (except HAW)
MD2430WD	6	7-1/2	27-3/4	14-3/4	N/A	N/A	N/A	N/A	WA2430	1	Silver Series Only
MD1242	8	8-1/4	39-3/4	9-3/4	8	8-3/4	41-11/16	11-11/16	W1242	1	Silver & Gold Series (except HAW)
MD1242	N/A	N/A	N/A	N/A	8	8-3/4	41-11/16	11-11/16	W2442	2	Gold Series Only (except HAW)
MD1542	8	8-1/4	39-3/4	9-3/4	8	8-3/4	41-11/16	14-11/16	W1542	1	Silver & Gold Series (except HAW)
MD1542	8	8-1/4	39-3/4	12-3/4	8	8-3/4	41-11/16	14-11/16	W3042	2	Silver & Gold Series (except HAW)
MD1542	N/A	N/A	N/A	N/A	8	8-3/4	41-11/16	14-11/16	WA2442, WA271542	1	Gold Series Only (except HAW)
MD1842	8	8-1/4	39-3/4	15-3/4	8	8-3/4	41-11/16	17-11/16	W1842	1	Silver & Gold Series (except HAW)
MD1842	8	8-1/4	39-3/4	15-3/4	8	8-3/4	41-11/16	17-11/16	W3642	2	Silver & Gold Series (except HAW)
MD2442WD	8	8-1/4	39-3/4	14-3/4	N/A	N/A	N/A	N/A	WA2442	1	Silver Series Only

- 3/4" door frame with outside profile matching selected door style
- Frame rout accepts various thickness decorative glass
- Full overlay mullion doors are slightly smaller in width than standard full overlay doors. When used in double door applications (24", 30" & 36" wide cabinets), hinge spacers are included to insure proper door alignment.
- Glass is NOT included and must be supplied by customer. Tempered glass is recommended.
- Local glass shops have extensive glass offerings in clear, frosted, seedy and custom leaded
- Door insert clips included for field installation



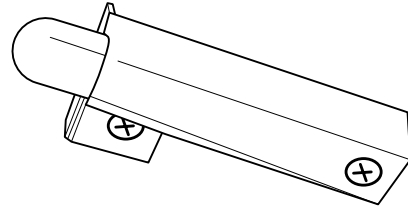
Wall Skin

WSK30
WSK42



- 1/4" thick laminated matching exterior
- Field cut to desired height
- Available in Silver & Gold Series door styles

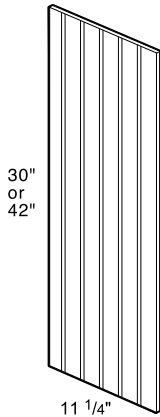
Soft Close Door (SCD)



- Available in Silver & Gold Series door styles
- Adjustable for various size doors
- Nickel plated zinc die cast construction
- Installed on hinge side of frame

Wall V-Groove Skin

WVGSK30
WVGSK42



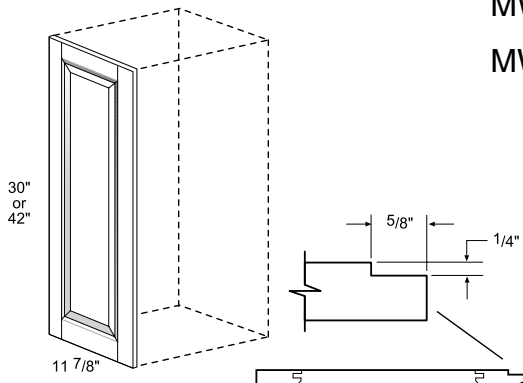
- 1/4" thick wood veneer v-groove exterior
- Grooves spaced 1 1/4" on center
- Field cut to desired height
- Available in Silver (except WLO & VHS) & Gold Series (except HAW) door styles

Design Tips:

- Do not design Microwave Shelf cabinets next to Wall Angle Corner cabinets, as cabinet door will not fully open
- Do design wall skins on exposed cabinet ends for flush, finished look and ease of top molding installation
- Do design light rails to conceal any under cabinet lighting and to provide a furniture finished look
- Do design different height cabinets for more architectural appeal and the feel of high end custom cabinetry
- Do design fluted fillers for visual appeal and remember, they work great as filler overlays
- Do design the Wall "X" Wine Rack in horizontal and vertical applications and remember, it also works great for island designs
- Do design mullion doors and suggest frost or opaque glass for cabinetry finished in darker stains to reduce contrast with light maple finished interior

Matching Wall End Panels

MWEP30
MWEP42

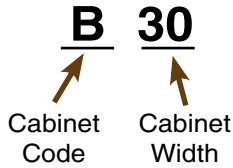


- 3/4" thick
- Field installation
- Panel is reversible & fits flush against end panel
- Available in Gold Series door styles only

Wall Section Notes:

BASE CABINET CODING

Note: Standard base cabinets are 24" deep and 34½" high.
Standard desk base cabinets are 21" deep and 28½" high.
Add door thickness for total depth.

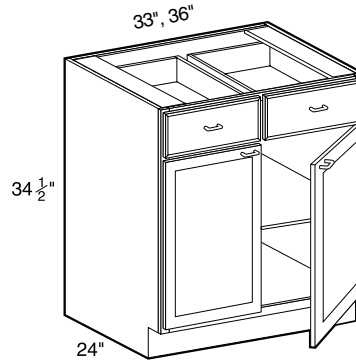


**SPECIFICATION DRAWINGS DEPICT GOLD SERIES PRODUCTS.
SILVER SERIES FEATURE CENTER STILES IN CABINETS 30" AND WIDER.**

24" Deep Double Door

B33

B36



- One adjustable shelf
- Available in Silver & Gold Series door styles

24" Deep Single Door

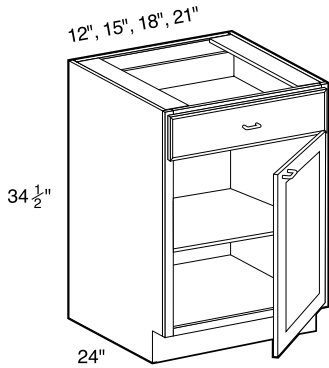
SPECIFY R or L

B12

B15

B18

B21



- One adjustable shelf
- Available in Silver & Gold Series door styles

24" Deep Single Door with 1 Roll-Out Tray

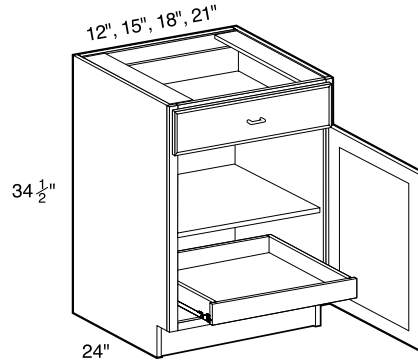
SPECIFY R or L

B12-1T

B15-1T

B18-1T

B21-1T



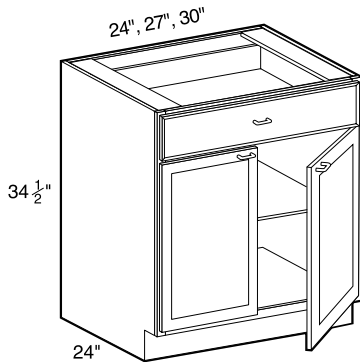
- One adjustable shelf
- One adjustable, full width roll-out tray
- Available in Silver & Gold Series door styles

24" Deep Double Door

B24

B27

B30



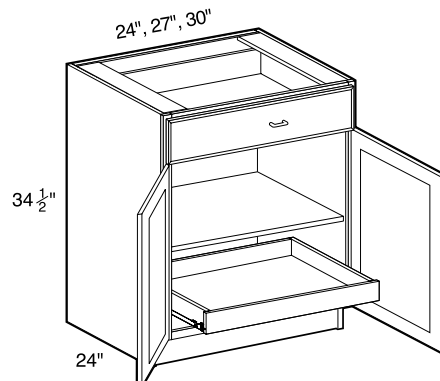
- One adjustable shelf
- Available in Silver & Gold Series door styles

24" Deep Double Door with 1 Roll-Out Tray

B24-1T

B27-1T

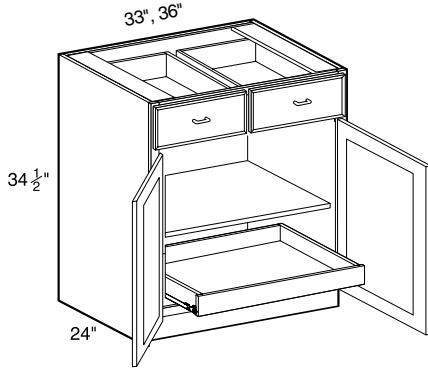
B30-1T



- One adjustable shelf
- One adjustable, full width roll-out tray
- Available in Silver (except B30-1T) & Gold Series door styles

**24" Deep Double Door
with 1 Roll-Out Tray**

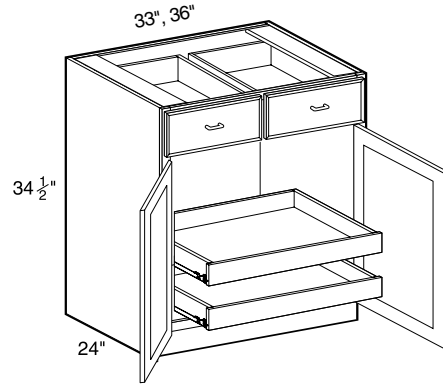
B33-1T
B36-1T



- One adjustable shelf
- One adjustable, full width roll-out tray
- Available in Gold Series door styles only

24" Deep Double Door with 2 Roll-Out Trays

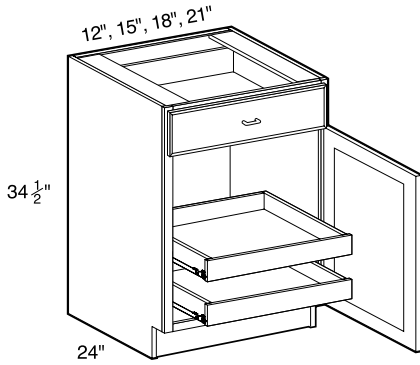
B33-2T
B36-2T



- Two adjustable, full width roll-out trays
- Available in Gold Series door styles only

**24" Deep Single Door
with 2 Roll-Out Trays**

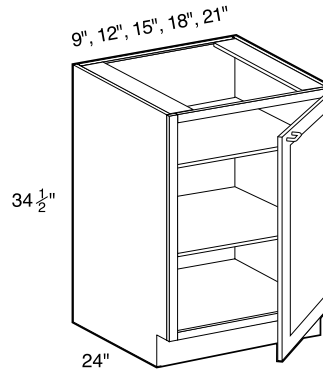
SPECIFY R or L
B12-2T
B15-2T
B18-2T
B21-2T



- Two adjustable, full width roll-out trays
- Available in Silver & Gold Series door styles

24" Deep Single Full Height Door

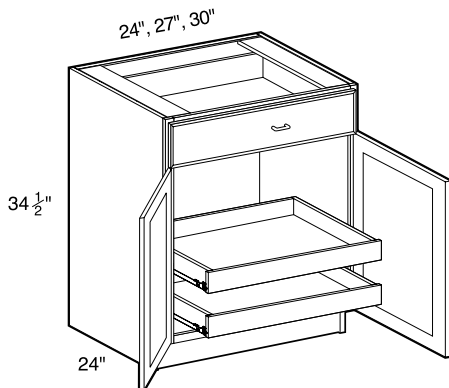
SPECIFY R or L
B09FH
B12FH
B15FH
B18FH
B21FH



- Two adjustable shelves
- Available in Silver & Gold Series door styles

**24" Deep Double Door
with 2 Roll-Out Trays**

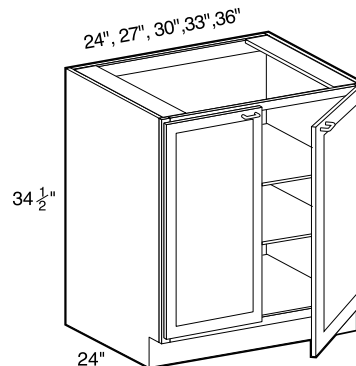
B24-2T
B27-2T
B30-2T



- Two adjustable, full width roll-out trays
- Available in Silver (except B30-2T) & Gold Series door styles

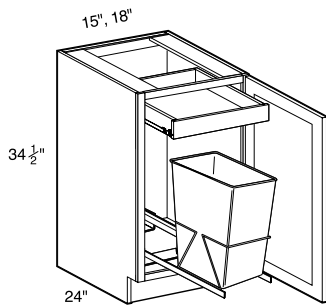
24" Deep Double Full Height Door

B24FH
B27FH
B30FH
B33FH
B36FH



- Two adjustable shelves
- Available in Silver (except B30FH, B33FH & B36FH) & Gold Series door styles

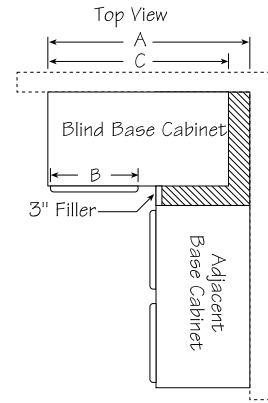
24" Deep Base Single Wastebasket



SPECIFY R or L
B1WB15
B1WB18

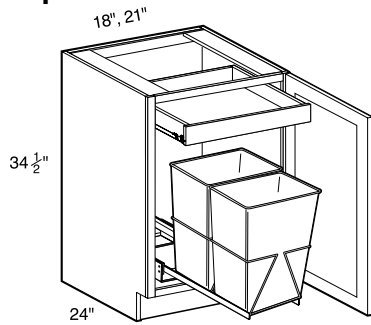
- Basket slides on heavy duty, full extension runners
- 35 quart capacity basket is secured by epoxy coated white wire "cage"
- White basket is removable
- Unit dimensions: 12"W x 19 3/4"D x 22"H
- Top mount roll-out tray for trash bag storage
- Available in Silver & Gold Series door styles

Blind Base Installation



BLIND BASE INSTALLATION GUIDE								
Cabinet	SILVER SERIES				GOLD SERIES			
	Wall Space "A"		Door Opening	Cabinet	Wall Space "A"		Door Opening	Cabinet
	Min	Max	Width "B"	Width "C"	Min	Max	Width "B"	Width "C"
BBCU39	36"	42"	8 7/8"	30"	39"	42"	8 7/8"	30"
BBCU42	39"	45"	12"	36"	42"	45"	12"	36"

24" Deep Base Double Wastebasket

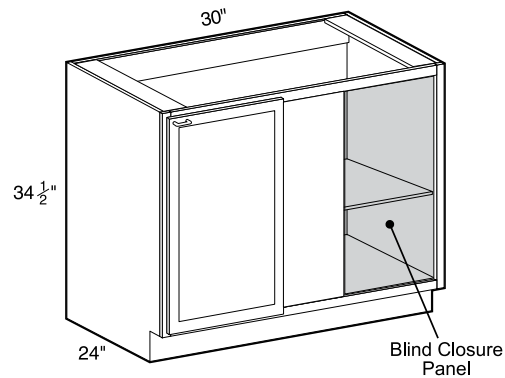


SPECIFY R or L
B2WB18
B2WB21

- Baskets slide on heavy duty, full extension runners
- 35 quart capacity baskets (2) are secured by epoxy coated white wire "cage"
- White baskets are removable
- Unit dimensions: 15"W x 19 3/4"D x 22"H
- Top mount roll-out tray for trash bag storage
- Available in Silver & Gold Series door styles

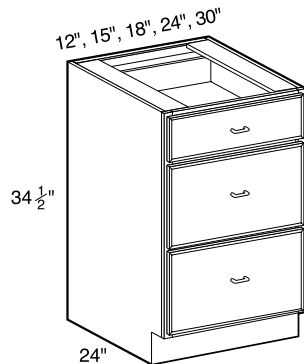
24" Deep Blind Corner

SPECIFY R or L BLIND
BBCU39



- Indicate R or L for blind side (right shown)
- Cabinet can be pulled for exact fit (see installation chart)
- 3" filler & 1/8" blind closure panel included
- Available in Silver & Gold Series door styles

24" Deep Base Drawer

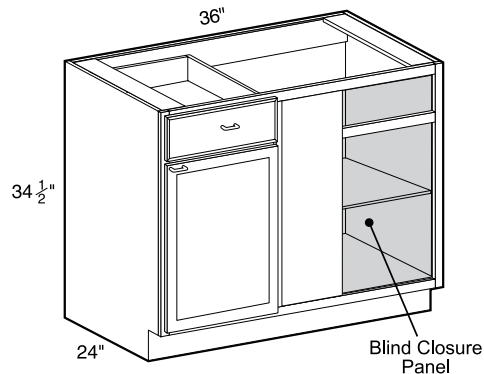


BD12
BD15
BD18
BD24
BD30

- One standard drawer
- Two deep drawers
- Available in Silver & Gold Series door styles

24" Deep Blind Corner

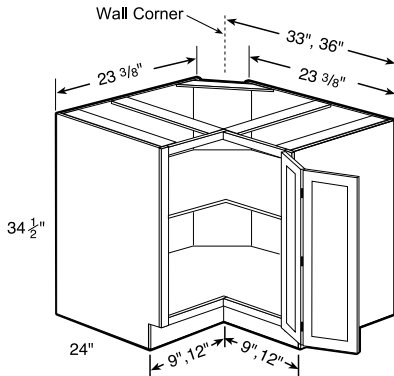
SPECIFY R or L BLIND
BBCU42



- Indicate R or L for blind side (right shown)
- Cabinet can be pulled for exact fit (see installation chart)
- 3" filler & 1/8" blind closure panel included
- Available in Silver & Gold Series door styles

33" and 36" Easy Reach

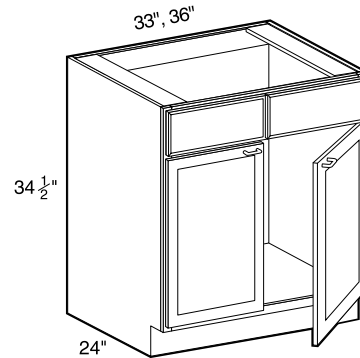
SPECIFY R or L
EZR33
EZR36



- One full depth "L" shaped shelf
- Doors open 170 degrees for easy access
- SOFT CLOSE DOOR (SCD) OPTION NOT AVAILABLE
- Available in Silver & Gold Series door styles

24" Deep Sink Base

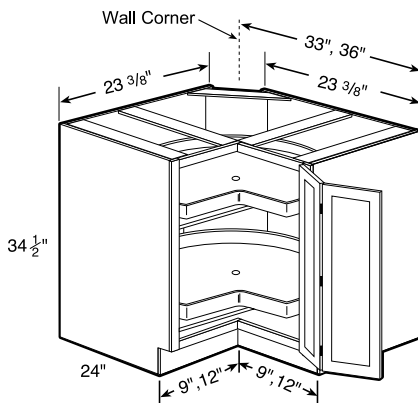
SB33
SB36



- No shelf
- May also be used as drop-in cooktop base
- Available in Silver & Gold Series door styles

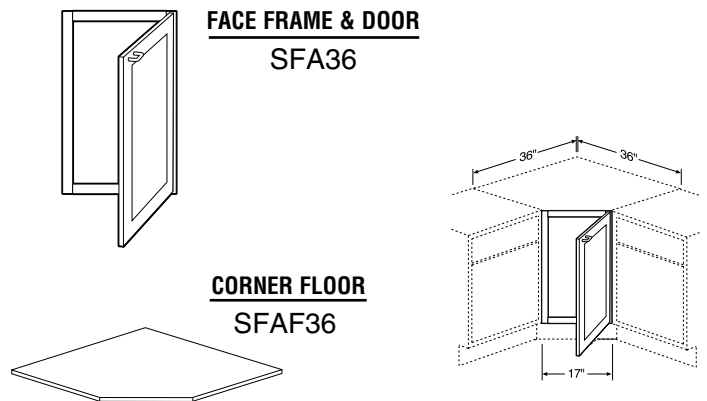
33" and 36" Easy Reach Super Suzan

SPECIFY R or L
EZR33SS
EZR36SS



- Two 26" or 28" diameter, pie-cut independently revolving all wood shelves
- Doors open 170 degrees for easy access
- SOFT CLOSE DOOR (SCD) OPTION NOT AVAILABLE
- Available in Silver & Gold Series door styles

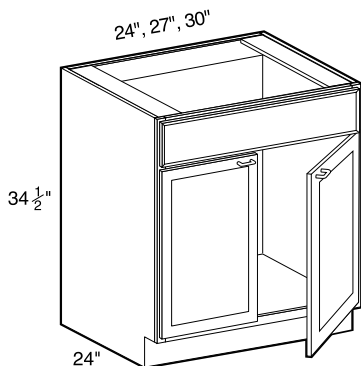
Sink Front Angle



- Floor support and toe kick field constructed
- Face frame and door may be installed right or left
- Maximum sink width for this application 25 3/4"
- Available in Silver & Gold Series door styles

24" Deep Sink Base

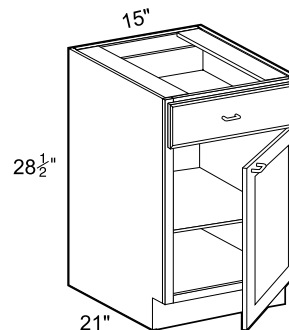
SB24
SB27
SB30



- No shelf
- May also be used as drop-in cooktop base
- Available in Silver & Gold Series door styles

21" Deep Desk Door

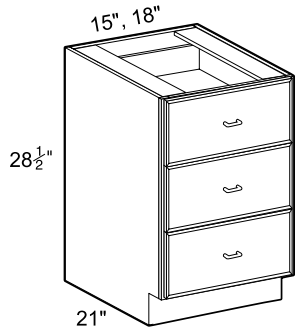
SPECIFY R or L
DDO15



- One adjustable shelf
- Comfortable height for dressing table or writing surface
- Available in Silver & Gold Series door styles

21" Deep Desk Drawer

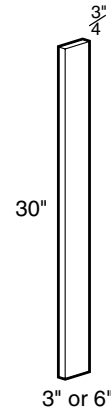
DDR15
DDR18



- Three standard drawers
- Comfortable height for dressing table or writing surface
- Available in Silver & Gold Series door styles

Filler Strips

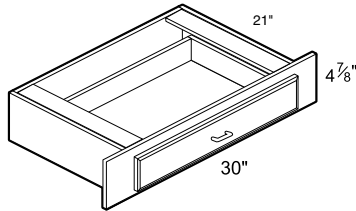
FS30
FS630



- 3/4" thick solid wood
- Face and all edges finished
- Available in Silver & Gold Series door styles

21" Deep Desk Knee Drawer

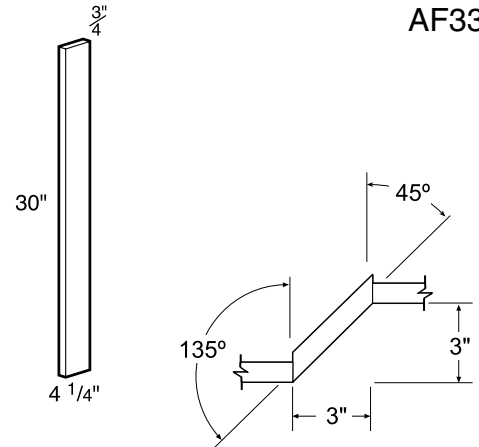
DKD30



- One full width pencil/cosmetic drawer
- Knee drawer is designed for use between two desk base cabinets
- Comfortable height for dressing table or writing surface when installed at 28 1/2" height with 1 1/2" thick countertop
- Slab drawer front all door styles
- Silver Series may be trimmed up to 2" on each side
- Gold Series may be trimmed up to 1" on each side
- FULL EXTENSION RUNNER NOT AVAILABLE
- Available in Silver & Gold Series door styles

Angle Fillers

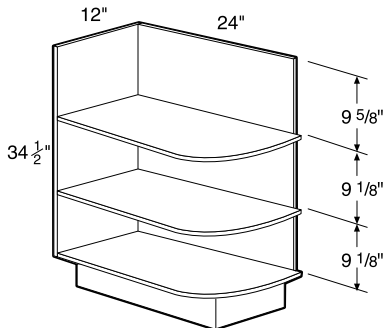
AF330



- 3/4" thick solid wood
- Face and all edges finished
- Available in Silver & Gold Series door styles

24" Deep Base End Shelf

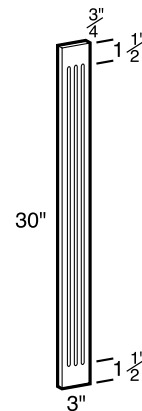
SPECIFY R or L
BEOS12



- 1/4" thick wood veneer side and 1/2" thick wood veneer back panel
- 3/4" thick solid wood shelves
- Available in Silver & Gold Series door styles

Fluted Fillers

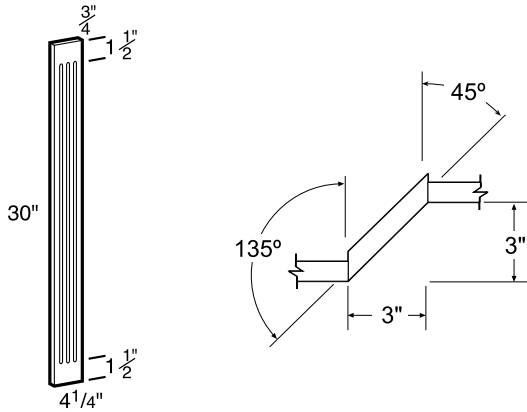
FF330



- 3/4" thick solid wood
- Face and all edges finished
- May be trimmed 1/2" each side
- Available in Silver & Gold Series (except HAW) door styles

Angle Fluted Fillers

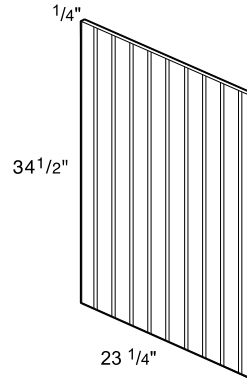
AFF330



- 3/4" thick solid wood
- Face and all edges finished
- Available in Silver & Gold Series (except HAW) door styles

Base V-Groove Skin

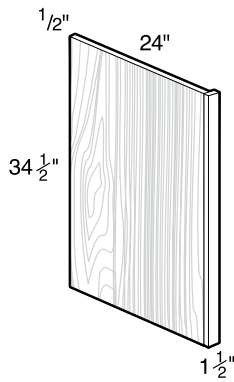
BVGSK345



- 1/4" thick wood veneer v-groove exterior
- Grooves spaced 1 1/4" on center
- Field cut to desired height
- Available in Silver (except WLO & VHS) & Gold Series (except HAW) door styles

24" Deep End Panel with Filler

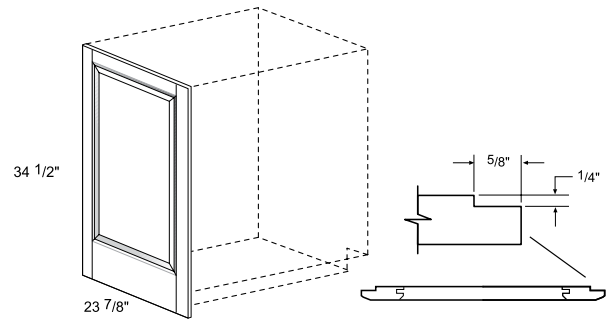
BEP1.5



- 1 1/2" solid wood filler attached
- Reversible
- 1/2" thick laminated matching exterior
- Available in Silver & Gold Series door styles

Matching Base End Panel

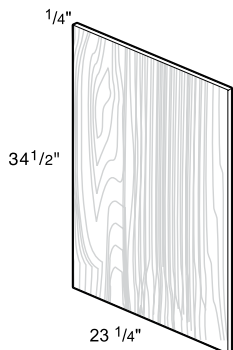
MBEP



- 3/4" thick
- Field installation
- Panel is reversible & fits flush against end panel
- Available in Gold Series door styles only
- LCB, LCN, & LTG are 2-piece construction

Base Skin

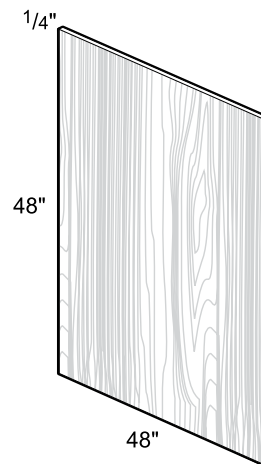
BSK345



- 1/4" thick laminated matching exterior
- Available in Silver & Gold Series door styles

Island Skin

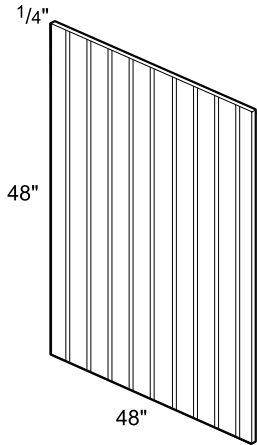
ISK4848



- 1/4" thick laminated matching exterior
- Available in Silver & Gold Series door styles

Island V-Groove Skin

IVGSK4848

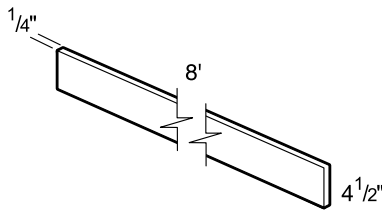


- 1/4" thick wood veneer v-groove exterior
- Grooves spaced 1 1/4" on center
- Field cut to desired height
- Available in Silver & Gold Series door styles

SHELF KIT AVAILABILITY GUIDE		
SKU	WIDTH	SILVER & GOLD SERIES
		DESIGNED TO FIT
SK1224	10-1/4"	B12, B12FH
SK1524	13-1/4"	B15, B15FH
SK1824	16-1/4"	B18, B18FH, U182484/96
SK2124	19-1/4"	B21, B21FH
SK2424	22-1/4"	B24, B24FH, SB24, U242484/96
SK2724	25-1/4"	B27, B27FH, SB27
SK3024	28-1/4"	B30, B30FH, SB30, BBCU39
SK3324	31-1/4"	B33, B33FH, SB33, OC332484U/96U
SK3624	24-1/4"	B36, B36FH, SB36, BBCU42

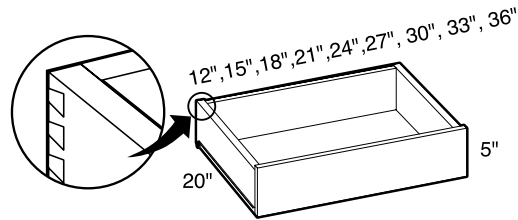
Matching Toe Kick 8'

MTK8



- 1/4" thick wood veneer or white vinyl

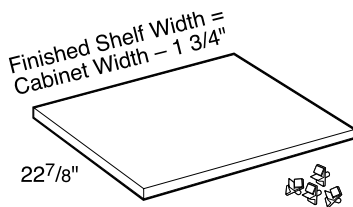
Rollout Tray Kits



- 5/8" solid wood dovetail construction
- Consult availability guide

- ROT12
- ROT15
- ROT18
- ROT21
- ROT24
- ROT27
- ROT30
- ROT33
- ROT36

Shelf Kits



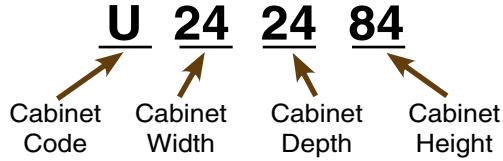
- SK1224
- SK1524
- SK1824
- SK2124
- SK2424
- SK2724
- SK3024
- SK3324
- SK3624

- 3/4" thick laminated matching cabinet interior
- Edgebanded on front edge
- One shelf and four clips per kit
- Consult availability guide

ROLL-OUT TRAY KIT AVAILABILITY GUIDE		
SKU	SILVER SERIES	GOLD SERIES
	DESIGNED TO FIT	DESIGNED TO FIT
ROT12	B12, B12FH	B12, B12FH
ROT15	B15, B15FH	B15, B15FH
ROT18	B18, B18FH, U182484/96	B18, B18FH, U182484/96
ROT21	B21, B21FH	B21, B21FH
ROT24	B24, B24FH, SB24, U242484/96	B24, B24FH, SB24, U242484/96
ROT27	B27, B27FH, SB27	B27, B27FH, SB27
ROT30	N/A	B30, B30FH, SB30
ROT33	N/A	B33, B33FH, SB33
ROT36	N/A	B36, B36FH, SB36

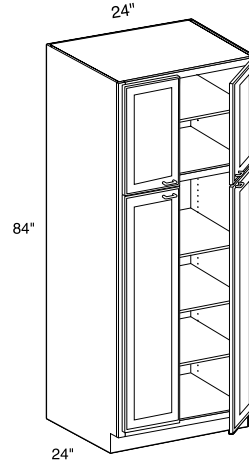
TALL CABINET CODING

Note: Standard tall cabinets are 24" deep.
Add door thickness for total depth



24" Deep Four Butt Door Utility

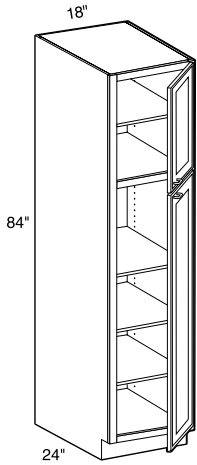
U242484



- One fixed and four adjustable shelves
- Available in Silver & Gold Series door styles

24" Deep Two Door Utility

SPECIFY R or L
U182484

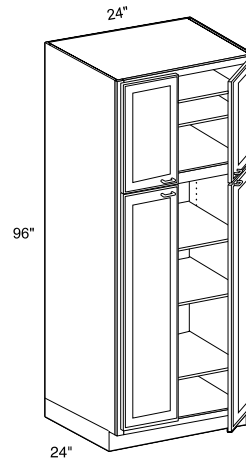


- One fixed and four adjustable shelves
- Available in Silver & Gold Series door styles

24" Deep Four Butt Door Utility

U242496

Exposed sides require TSK96

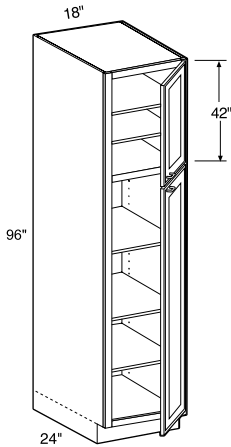


- One fixed and five adjustable shelves
- Loose toe kick box for ease of installation
- Available in Silver & Gold Series door styles

24" Deep Two Door Utility

SPECIFY R or L
U182496

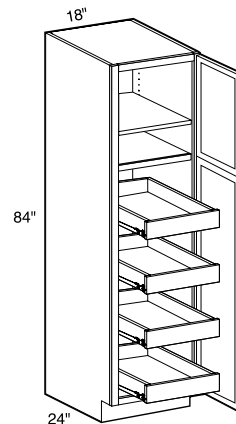
Exposed sides require TSK96



- One fixed and five adjustable shelves
- Loose toe kick box for ease of installation
- Available in Silver & Gold Series door styles

24" Deep Two Door Utility with Four Rollout Trays

SPECIFY R or L
U182484-4T

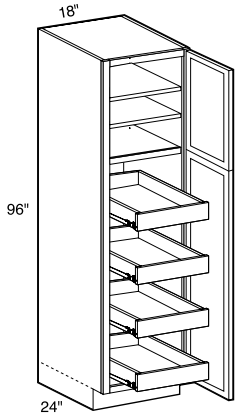


- Four adjustable, full width rollout trays
- One adjustable shelf
- Available in Silver & Gold Series door styles

24" Deep Two Door Utility with Four Rollout Trays

**SPECIFY R or L
U182496-4T**

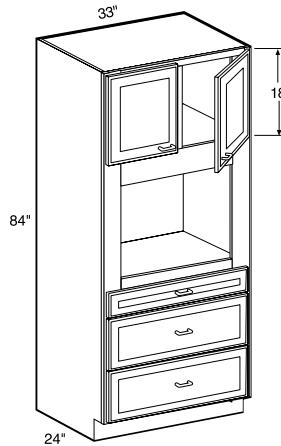
Exposed sides require TSK96



- Four adjustable, full width rollout trays
- Two adjustable shelves
- Loose toe kick box for ease of installation
- Available in Silver & Gold Series door styles

24" Deep Universal Oven

OC332484U

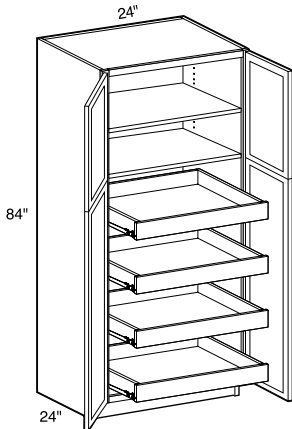


- Consult chart for oven cutout dimensions
- No shelf
- 3 field removable drawers
- 3" stiles in oven compartment
- Available in Silver & Gold Series door styles

CABINET	MIN. WIDTH	MAX WIDTH	MIN. HEIGHT	MAX HEIGHT
OC332484U	27"	31"	22"	69"

24" Deep Four Butt Door Utility with Four Rollout Trays

U242484-4T

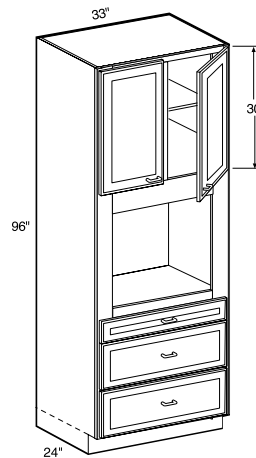


- Four adjustable, full width rollout trays
- One adjustable shelf
- Available in Silver & Gold Series door styles

24" Deep Universal Oven

OC332496U

Exposed sides require TSK96



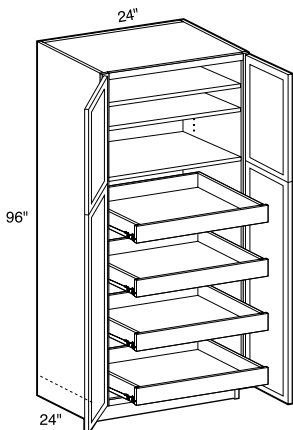
- Consult chart for oven cutout dimensions
- One adjustable shelf
- 3 field removable drawers
- 3" stiles in oven compartment
- Loose toe kick box for ease of installation
- Available in Silver & Gold Series door styles

CABINET	MIN. WIDTH	MAX WIDTH	MIN. HEIGHT	MAX HEIGHT
OC332496U	27"	31"	22"	69"

24" Deep Four Butt Door Utility with Four Rollout Trays

U242496-4T

Exposed sides require TSK96



- Four adjustable, full width rollout trays
- Two adjustable shelves
- Loose toe kick box for ease of installation
- Available in Silver & Gold Series door styles

Rollout Tray Kits

ROT12

ROT15

ROT18

ROT21

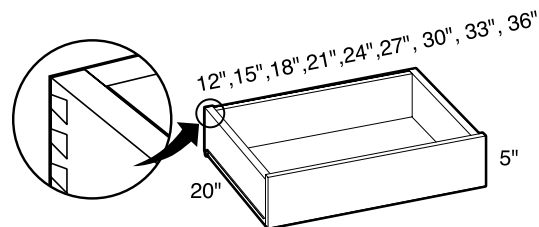
ROT24

ROT27

ROT30

ROT33

ROT36

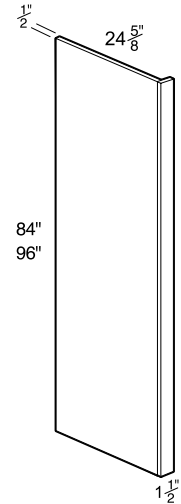


- 5/8" solid wood dovetail construction
- Consult availability guide

ROLL-OUT TRAY KIT AVAILABILITY GUIDE		
SKU	SILVER SERIES	GOLD SERIES
	DESIGNED TO FIT	DESIGNED TO FIT
ROT12	B12, B12FH	B12, B12FH
ROT15	B15, B15FH	B15, B15FH
ROT18	B18, B18FH, U182484/96	B18, B18FH, U182484/96
ROT21	B21, B21FH	B21, B21FH
ROT24	B24, B24FH, SB24, U242484/96	B24, B24FH, SB24, U242484/96
ROT27	B27, B27FH, SB27	B27, B27FH, SB27
ROT30	N/A	B30, B30FH, SB30
ROT33	N/A	B33, B33FH, SB33
ROT36	N/A	B36, B36FH, SB36

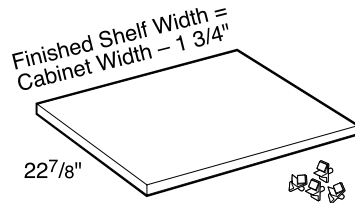
24" Deep Refrigerator Panel with Filler

RP84
RP96



- 1/2" filler attached
- Reversible, may be installed left or right
- 1/2" thick laminated matching exterior/interior
- Panel may be scribed up to 5/8"
- Available in Silver & Gold Series door styles

Shelf Kits

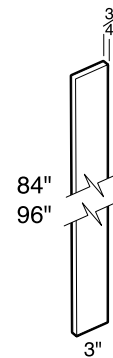


- SK1224
- SK1524
- SK1824
- SK2124
- SK2424
- SK2724
- SK3024
- SK3324
- SK3624

- 3/4" thick laminated matching cabinet interior
- Edgebanded on front edge
- One shelf and four clips per kit
- Consult availability guide
- Field cut depth for vanity application

Filler Strips

FS84
FS96

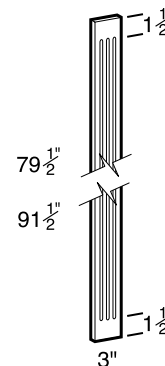


- 3/4" thick solid wood
- Face and all edges finished
- Available in Silver & Gold Series door styles

SHELF KIT AVAILABILITY GUIDE		
SKU	WIDTH	SILVER & GOLD SERIES
		DESIGNED TO FIT
SK1224	10-1/4"	B12, B12FH
SK1524	13-1/4"	B15, B15FH
SK1824	16-1/4"	B18, B18FH, U182484/96
SK2124	19-1/4"	B21, B21FH
SK2424	22-1/4"	B24, B24FH, SB24, U242484/96
SK2724	25-1/4"	B27, B27FH, SB27
SK3024	28-1/4"	B30, B30FH, SB30, BBCU39
SK3324	31-1/4"	B33, B33FH, SB33, OC332484U/96U
SK3624	24-1/4"	B36, B36FH, SB36, BBCU42

Fluted Fillers

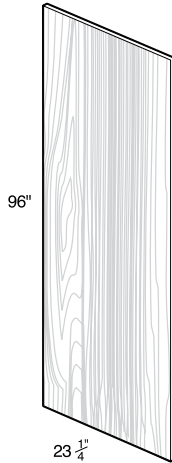
FF79
FF91



- 3/4" thick solid wood
- Face and all edges finished
- Available in Silver & Gold Series (except HAW) door styles

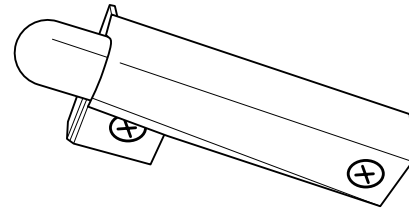
Tall Skin

TSK96



- 1/4" thick laminated matching exterior
- Field cut to desired height
- Available in Silver & Gold Series door styles

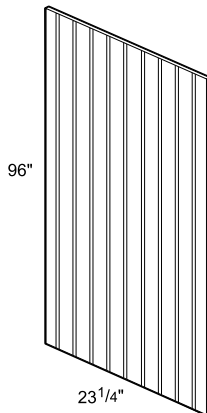
Soft Close Door (SCD)



- Available in Silver & Gold Series door styles
- Adjustable for various size doors
- Nickel plated zinc die cast construction
- Installed on hinge side of frame

Tall V-Groove Skin

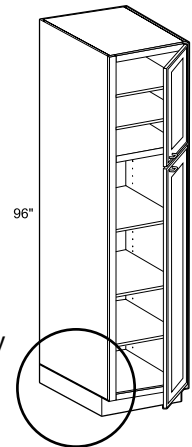
TVGSK96



- 1/4" thick wood veneer v-groove exterior
- Grooves spaced 1 1/4" on center
- Field cut to desired height
- Available in Silver (except WLO & VHS) & Gold Series (except HAW) door styles

Design Tips:

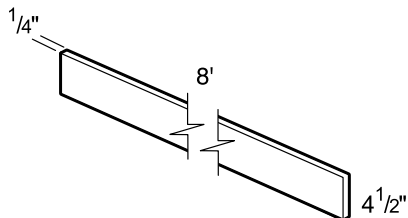
- Do not design exposed ends of 96" tall cabinets without a TSK96 or TVGSK96. All 96" tall cabinets are designed with a loose toe kick box for ease of installation where project ceiling height is only 8'. The toe kick box is made from off cut plywood with interior maple finish. When the cabinet is installed on top of the toe kick box, the seam between end panel and box is unsightly requiring some finish treatment. Non-exposed ends are obviously not a problem.



- Do design with 21" deep vanity linen cabinets where a reduced depth improves access and traffic flow.
- Do design with refrigerator end panels when installing 24" deep wall cabinets over refrigerator to provide necessary cabinet support and create a true built-in look.
- Do design with roll-out trays for increased accessibility and maximum storage.
- Do design tall skins on exposed cabinet ends to create flush, surface to butt countertop against, eliminating the need to notch countertop to clear face frame.
- Do design and consult appliance manufacturer's cut-out requirements when specifying the universal oven cabinet and advise customer to follow the manufacturer's recommend installation procedures.
- Do design tall skins on exposed cabinet ends to create flush, surface to butt wall cabinets against, and for installation ease of top molding.

Matching Toe Kick 8'

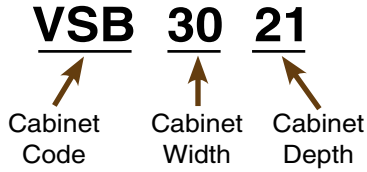
MTK8



- 1/4" thick wood veneer or white vinyl
- Available in Silver & Gold Series door styles

VANITY CABINET CODING

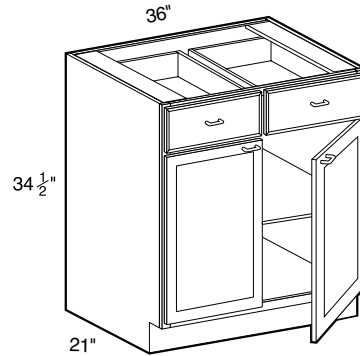
Note: Standard vanity cabinets are 21" deep.
Silver & Gold Series bases feature 34½" comfort height. Add door thickness for total depth.



**SPECIFICATION DRAWINGS DEPICT GOLD SERIES PRODUCTS.
SILVER SERIES FEATURE CENTER STILES IN CABINETS 30" AND WIDER.**

21" Deep Double Door

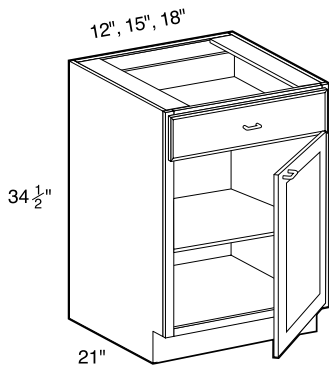
VB3621



- One adjustable shelf
- Available in Silver & Gold Series door styles

21" Deep Single Door

SPECIFY R or L



VB1221
VB1521
VB1821

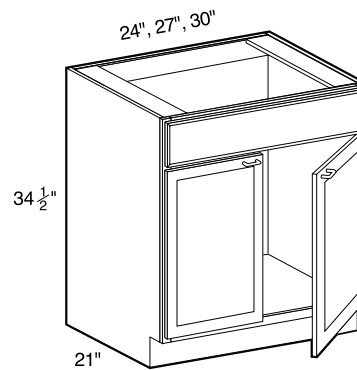
- One standard drawer
- One adjustable shelf
- Available in Silver & Gold Series door styles

21" Deep Double Door

VSB2421

VSB2721

VSB3021

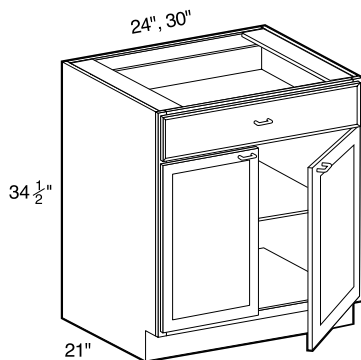


- No shelf
- Available in Silver & Gold Series door styles

21" Deep Double Door

VB2421

VB3021

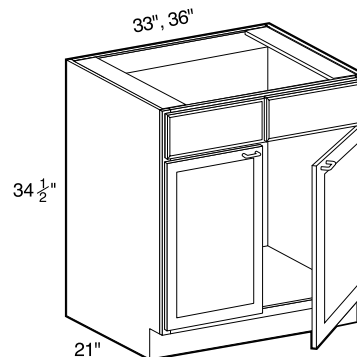


- One adjustable shelf
- Available in Silver & Gold Series door styles

21" Deep Double Door

VSB3321

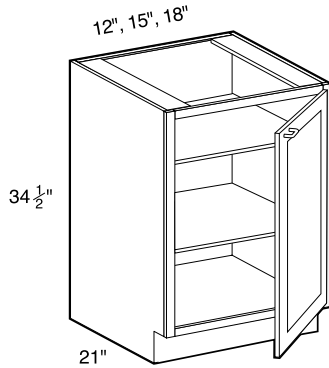
VSB3621



- No shelf
- Available in Silver & Gold Series door styles

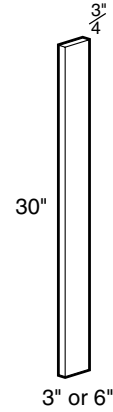
21" Deep Single Full Height Door

SPECIFY R or L
VB1221FH
VB1521FH
VB1821FH



- Two adjustable shelves
- Available in Silver & Gold Series door styles

Filler Strips

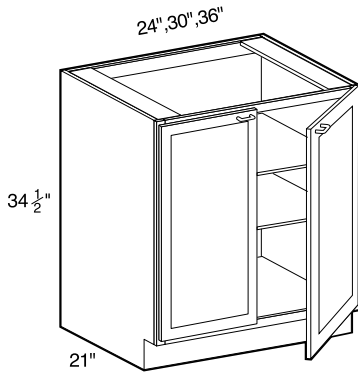


FS30
FS630

- 3/4" thick solid wood
- Face and all edges finished
- Available in Silver & Gold Series door styles

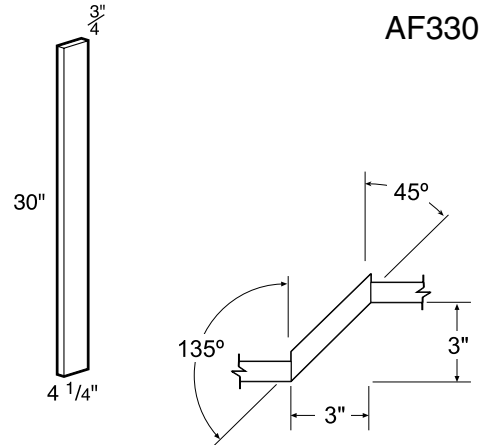
21" Deep Double Full Height Door

VB2421FH
VB3021FH
VB3621FH



- Two adjustable shelves
- Available in Silver & Gold Series door styles

Angle Fillers

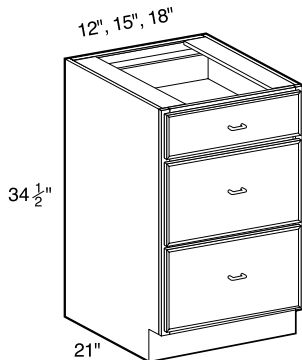


AF330

- 3/4" thick solid wood
- Face and all edges finished
- Available in Silver & Gold Series door styles

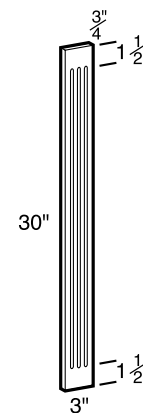
21" Deep Base Drawer

VBD1221
VBD1521
VBD1821



- One standard drawer
- Two deep drawers
- Available in Silver & Gold Series door styles

Fluted Fillers

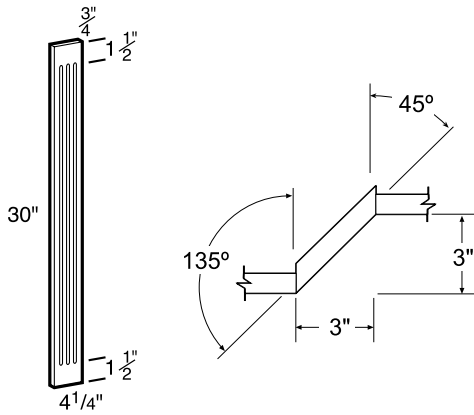


FF330

- 3/4" thick solid wood
- Face and all edges finished
- May be trimmed 1/2" each side
- Available in Silver & Gold Series (except HAW) door styles

Angle Fluted Fillers

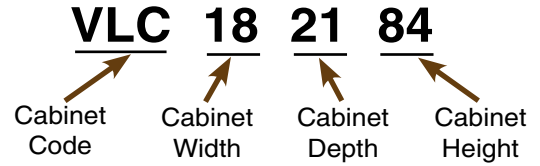
AFF330



- 3/4" thick solid wood
- Face and all edges finished
- Available in Silver (except WLO & VHS) & Gold Series (except HAW) door styles

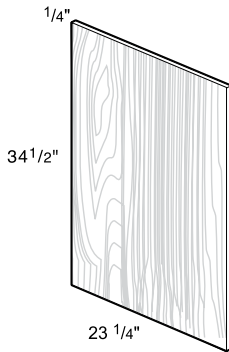
VANITY LINEN CABINET CODING

Note: Standard linen cabinets are 21" deep.
Add door thickness for total depth



Base Skin

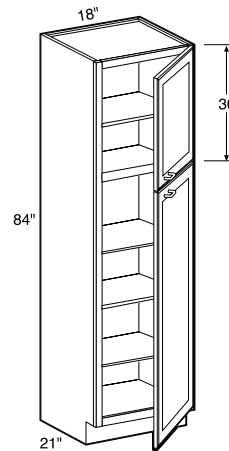
BSK345



- 1/4" thick laminated matching exterior
- Field cut to 20 1/4" depth
- Available in Silver & Gold Series door styles

21" Deep Two Door Linen

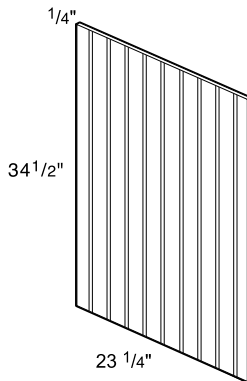
**SPECIFY R or L
VLC182184**



- One fixed and four adjustable shelves
- Available in Silver & Gold Series door styles

Base V-Groove Skin

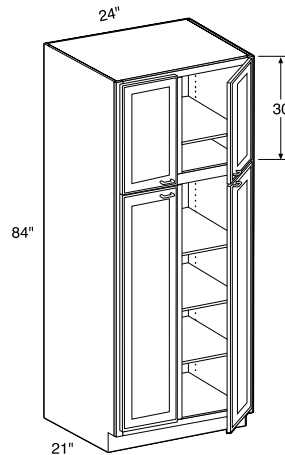
BVGSK345



- 1/4" thick wood veneer v-groove exterior
- Grooves spaced 1 1/4" on center
- Field cut to desired height
- Available in Silver (except WLO & VHS) & Gold Series (except HAW) door styles

21" Deep Four Door Linen

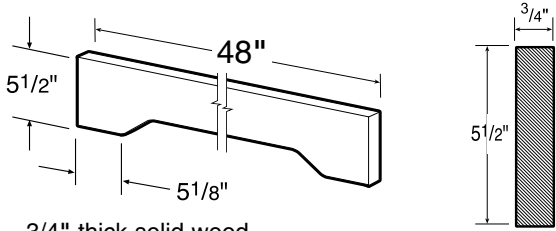
VLC242184



- One fixed and four adjustable shelves
- Available in Silver & Gold Series door styles

Furniture Valance

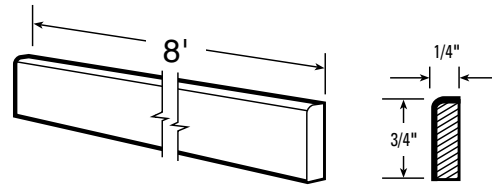
FV48



- 3/4" thick solid wood
- May be trimmed 3" on each end
- Available in Silver (except WLO & VHS) & Gold Series door styles

Scribe Molding

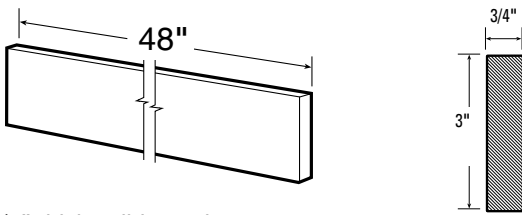
SM8



- 1/4" thick solid wood
- Available in Silver & Gold Series door styles

Valance

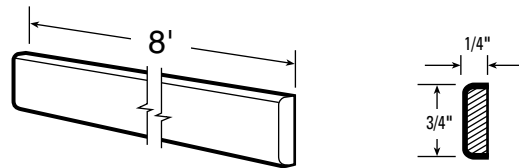
VA48



- 3/4" thick solid wood
- May be trimmed on each end
- Available in Silver & Gold Series door styles

Batten Molding

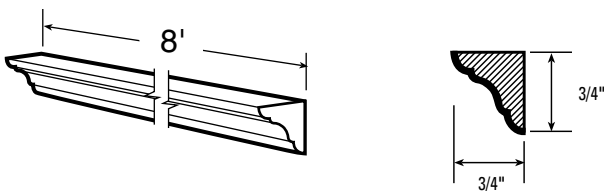
BM8



- 1/4" thick solid wood
- Available in Silver & Gold Series door styles

Inside Corner Molding

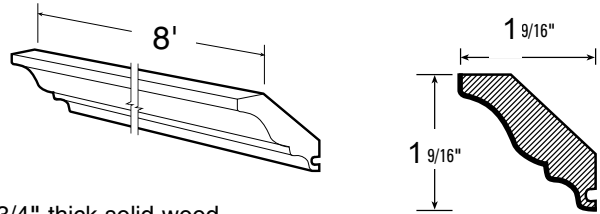
ICM8



- 3/4" thick solid wood
- Available in Silver & Gold Series door styles

Soffit Crown Molding

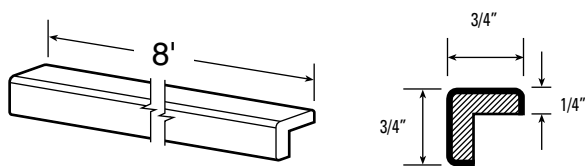
SCM8



- 3/4" thick solid wood
- Use with TMMS8 for top of cabinet installation
- Available in Silver & Gold Series door styles

Outside Corner Molding

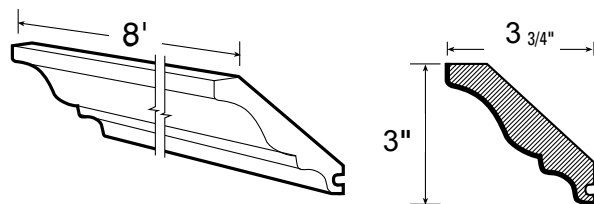
OSC8



- 3/4" thick solid wood
- Available in Silver & Gold Series door styles

Crown Molding

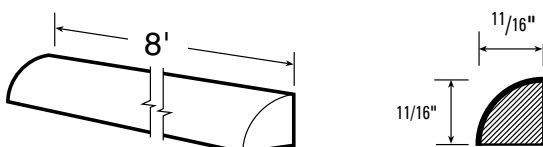
CM8



- 3/4" thick wood core, veneer wrapped
- Use with TMMS8 for top of cabinet installation
- Available in Silver & Gold Series door styles

Quarter Round

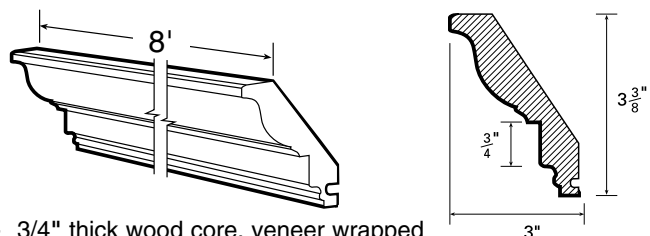
QR8



- 1 1/16" thick solid wood
- Available in Silver & Gold Series door styles

Classic Crown Molding

CCM8

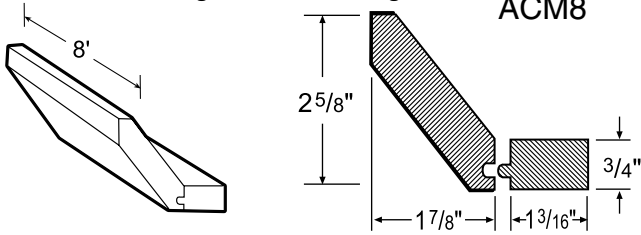


- 3/4" thick wood core, veneer wrapped
- Use with TMMS8 for top of cabinet installation
- Available in Silver (except WLO & VHS) & Gold Series (except HAW) door styles

NOTE: Thick dark lines indicate finished edges

Angle Crown Molding

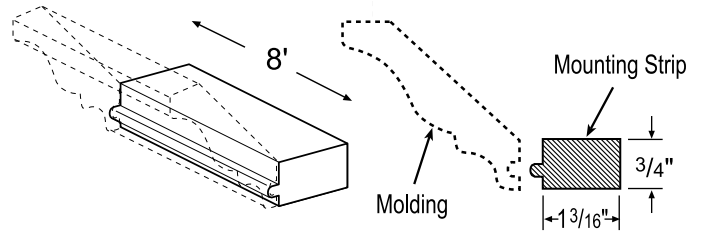
ACM8



- 3/4" thick wood core, veneer wrapped
- Use with TMMS8 for top of cabinet installation
- Available in HCN & KCB door styles only

Top Molding Mounting Strip

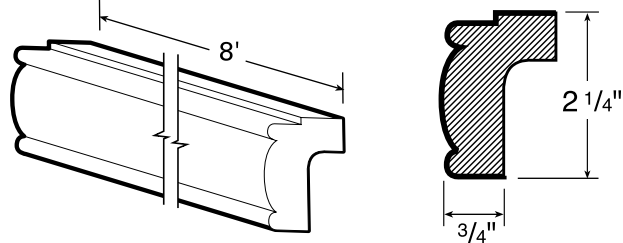
TMMS8



- 3/4" thick wood core
- Available in Silver & Gold Series door styles

Classic Light Rail

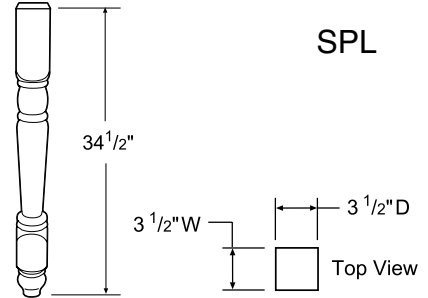
CLR8



- 3/4" thick solid wood
- Available in Silver (except WLO & VHS) & Gold Series door styles

Spindle

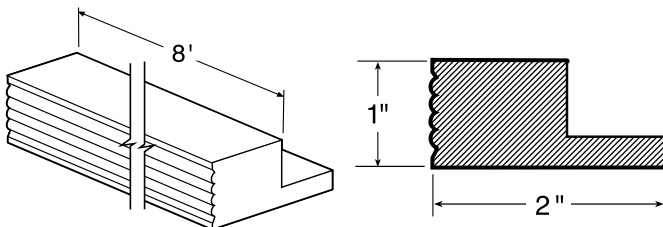
SPL



- Solid maple
- Available in Silver (except WLO & VHS) & Gold Series (except HAW) door styles

Beaded Light Rail

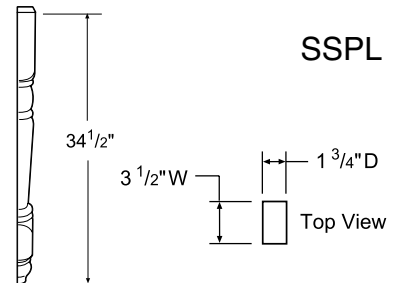
BLR8



- 3/4" thick solid wood
- Available in Silver (except WLO & VHS) & Gold Series (except HAW) door styles

Split Spindle

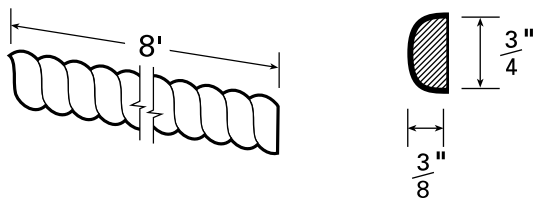
SSPL



- Solid maple
- Available in Silver (except WLO & VHS) & Gold Series (except HAW) door styles

Rope Molding

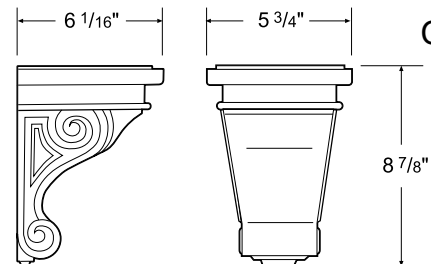
RM8



- 3/4" thick solid wood
- Available in Silver (except WLO & VHS) & Gold Series (except HAW) door styles

Corbel

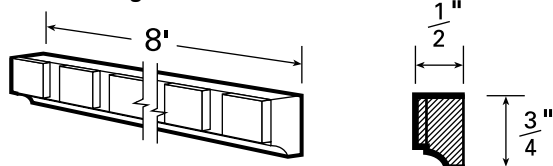
CBL



- Solid maple
- Available in Silver (except WLO & VHS) & Gold Series (except HAW) door styles

Dentil Molding

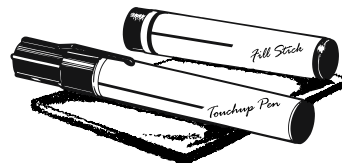
DM8



- 3/4" thick solid wood
- Available in Silver (except WLO & VHS) & Gold Series (except HAW) door styles

Touch-Up Kit

TUK-AW
TUK-CB
TUK-CG
TUK-CN
TUK-HS
TUK-LO
TUK-TG



- Includes fill stick, touch-up pen, 4-shelf clips and 4-door bumpers

NOTE: Thick dark lines indicate finished edges

DH43-114



- Traditional pull
- Antique silver
- 3-3/4" center
- 4-1/2" outside length

DH43-628



- Backplate for DH43-632 or DH43-614
- Oiled bronze
- 3-3/4" center
- 5-1/4" outside length

DH43-826



- Elongated oval knob
- Antique pewter

DH43-124



- Octagon knob
- Antique silver
- 1-3/8" diameter

DH43-630



- Elongated oval knob
- Oiled bronze

DH43-828



- Classic pull
- Antique pewter
- 3-3/4" center
- 4-3/4" outside length

DH43-614



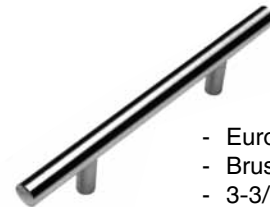
- Traditional pull
- Oiled bronze
- 3-3/4" center
- 4-1/2" outside length

DH43-632



- Classic pull
- Oiled bronze
- 3-3/4" center
- 4-3/4" outside length

DH45-100



- Euro railing pull
- Brushed nickel
- 3-3/4" center
- 7" outside length

DH43-618



- Octagon knob
- Oiled bronze
- 1-3/8" diameter

DH43-820



- Screw-head cup pull
- Antique pewter
- 2-1/2" center
- 4-1/8" outside length

DH45-102



- Euro railing pull
- Brushed nickel
- 6-15/16" center
- 10" outside length

DH43-624



- Screw-head cup pull
- Oil rubbed bronze
- 2-1/2" center
- 4-1/8" outside length

DH43-824



- Backplate for DH43-828
- Antique pewter
- 3-3/4" center
- 5-1/4" outside length

DH45-104



- Euro railing pull
- Brushed nickel
- 9-3/4" center
- 13" outside length

DH65-120



- Birdcage pull
- Antique iron
- 3-3/4" center
- 4-1/2" outside length

DH87-112



- Ribbed bow pull
- Brushed nickel
- 3-3/4" center
- 4-3/16" outside length

DH95-104



- Square dimpled pull
- Matte nickel
- 6-5/16" center
- 7-1/2" outside length

DH65-200



- Birdcage knob
- Antique iron
- 2-1/2" diameter

DH88-104



- Arrowhead knob
- Antique pewter

DH95-144



- Square dimpled knob
- Matte nickel

DH65-402



- Birdcage pull
- Stainless steel
- 3-3/4" center
- 4" outside length

DH88-110



- Arrowhead pull
- Antique pewter
- 5" center
- 7-1/2" outside length

DH99-128



- Contemporary bow pull
- Brushed nickel
- 3-3/4" center
- 5-1/2" outside length

DH65-432



- Birdcage knob
- Stainless steel

DH93-112



- Raised mitered pull
- Antique pewter
- 5" center
- 6-3/8" outside length

DH99-188



- Round knob
- Brushed nickel
- 1-1/4" diameter

DH87-102



- Square ribbed knob
- Brushed nickel

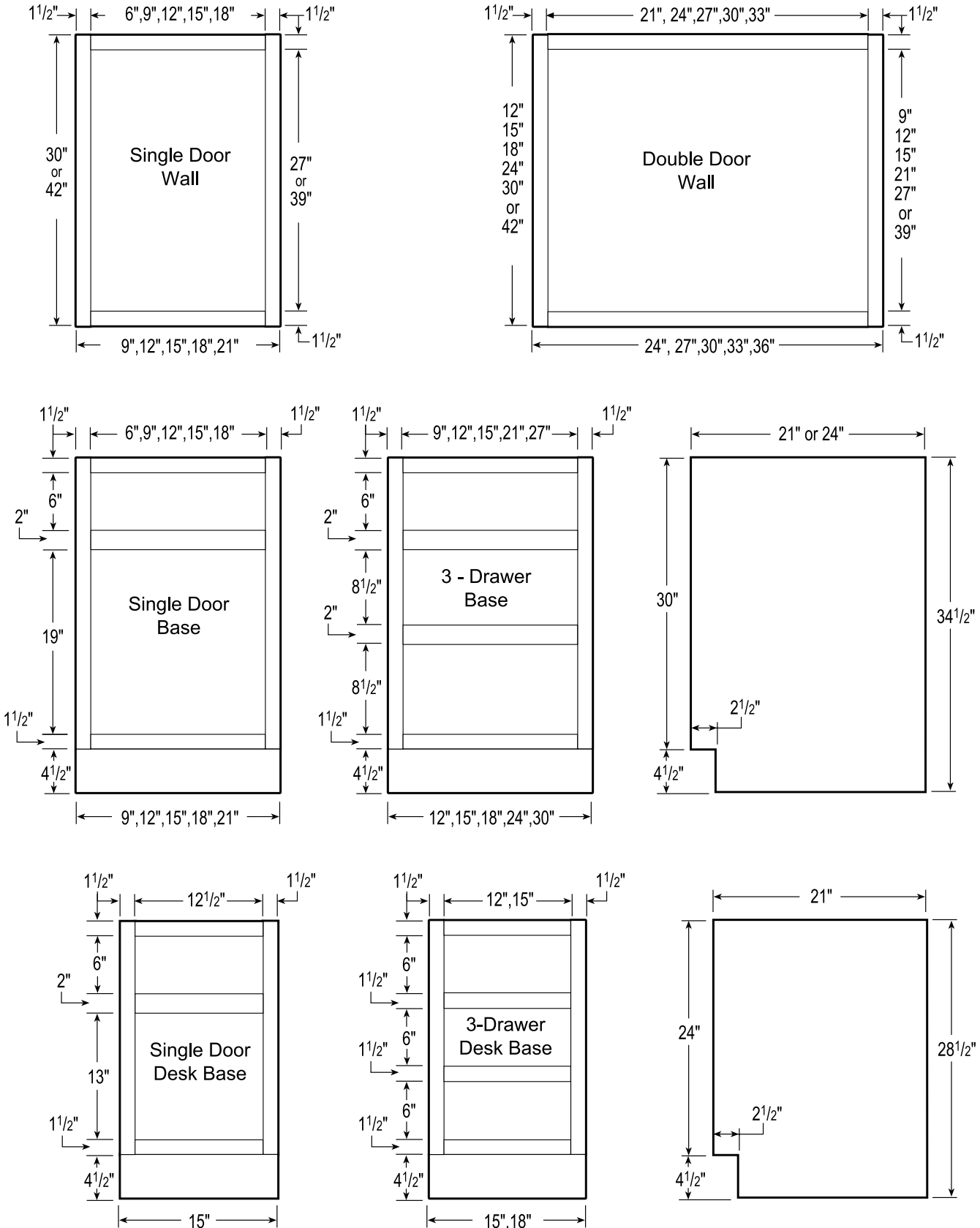
DH93-152



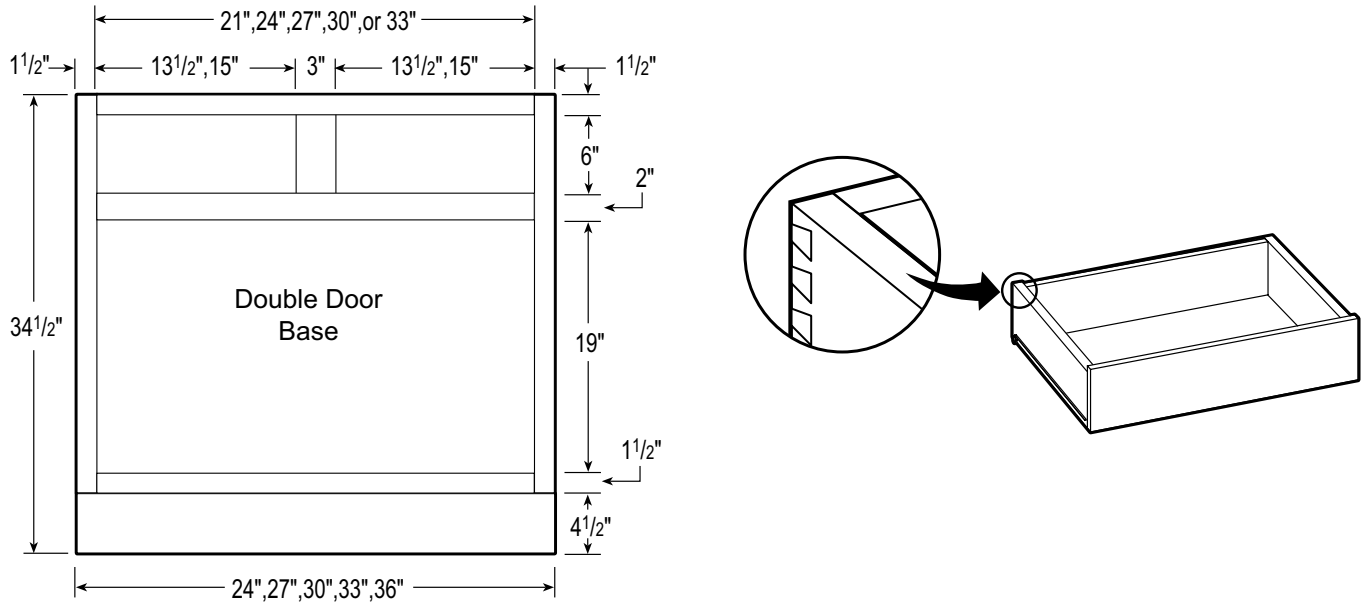
- Raised mitered knob
- Antique pewter

REMINDER:

Gold Series door styles are full overlay and decorative hardware is required.



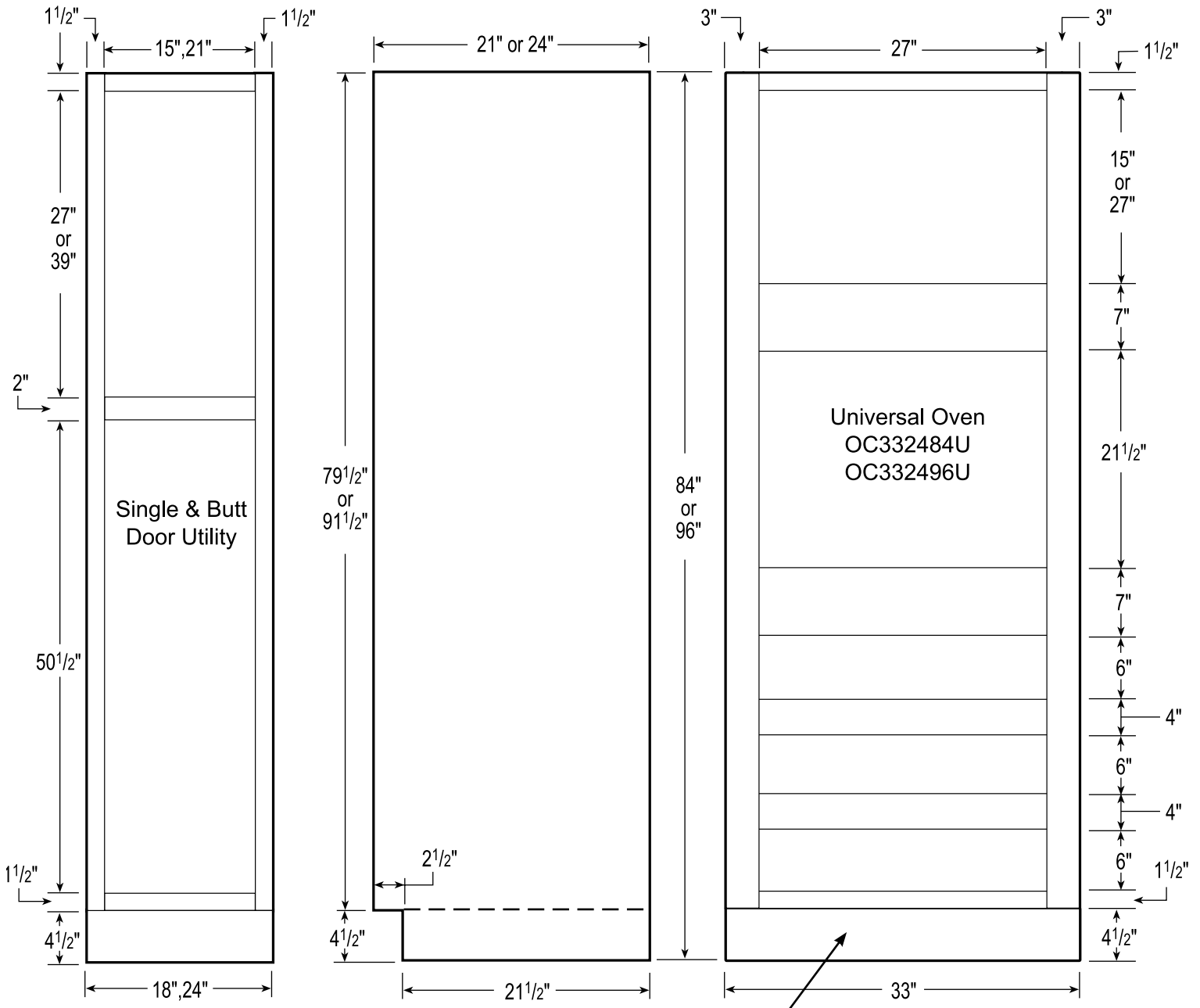
NOTE: ALL DRAWINGS DEPICT GOLD SERIES PRODUCT. SILVER SERIES WILL HAVE A 3" CENTER STILE IN ALL DOUBLE DOOR CABINETS 30" AND WIDER.



NOTE: B27, B30 have full width drawers

DRAWER BOX INSIDE DIMENSIONS						
CABINET	SHALLOW DRAWER			DEEP DRAWER		
	HEIGHT	DEPTH	WIDTH	HEIGHT	DEPTH	WIDTH
B12, BD12	4-3/8"	19-11/16"	6-7/8"	6-3/4"	19-11/16"	6-7/8"
VB1221, VBD1221	4-3/8"	16-11/16"	6-7/8"	6-3/4"	16-11/16"	6-7/8"
B15, BBCU42, BD15	4-3/8"	19-11/16"	9-7/8"	6-3/4"	19-11/16"	9-7/8"
VB1521, VBD1521	4-3/8"	16-11/16"	9-7/8"	6-3/4"	16-11/16"	9-7/8"
DDO15, DDR15	4-3/8"	19-11/16"	9-7/8"	N/A	N/A	N/A
B18, BD18	4-3/8"	19-11/16"	12-7/8"	6-3/4"	19-11/16"	12-7/8"
VB1821, VBD1821	4-3/8"	16-11/16"	12-7/8"	6-3/4"	16-11/16"	12-7/8"
B21	4-3/8"	19-11/16"	15-7/8"	N/A	N/A	N/A
B24, BD24	4-3/8"	19-11/16"	18-7/8"	6-3/4"	19-11/16"	18-7/8"
VB2421	4-3/8"	16-11/16"	18-7/8"	N/A	N/A	N/A
B27	4-3/8"	19-11/16"	21-7/8"	N/A	N/A	N/A
B30, BD30	4-3/8"	19-11/16"	24-7/8"	6-3/4"	19-11/16"	24-7/8"
VB3021	4-3/8"	16-11/16"	24-7/8"	N/A	N/A	N/A
B33	4-3/8"	19-11/16"	11-1/4"	N/A	N/A	N/A
B36	4-3/8"	19-11/16"	12-7/8"	N/A	N/A	N/A
VB3621	4-3/8"	16-11/16"	12-7/8"	N/A	N/A	N/A
OC332484U, OC332496U	4-3/8"	19-11/16"	24-7/8"	N/A	N/A	N/A

NOTE: ALL DRAWINGS DEPICT GOLD SERIES PRODUCT. SILVER SERIES WILL HAVE A 3" CENTER STILE IN ALL DOUBLE DOOR CABINETS 30" AND WIDER.



NOTE: 96" TALL CABINETS TO BE SUPPLIED WITH LOOSE TOE KICK BOX (EXPOSED SIDES REQUIRE TSK96)



Limited Lifetime Warranty

All Wood (warrantor) warrants to the original consumer purchaser only, that all products manufactured or supplied by warrantor will be free from defects in material and workmanship under normal use and service for your lifetime as long as you own the cabinetry. Proof of Purchase is required. These warranties are only applicable to product used for Residential Purposes and is not transferable to Subsequent owners.

This warranty does not cover damage resulting from normal wear, accident, misuse or lack of reasonable and necessary maintenance and service; nor does it warranty the improper installation or unauthorized repair, alteration, or modification or defects in the product when the product is installed.

In the event of a warranted product performance issue, report in writing to:

Warranty Department
210 Century Boulevard
Bartow, FL 33830

Warranty claim requests must include proof of purchase documentation, description of warranty issue (include photos where possible), door style and part numbers/nomenclature:

“Replacement door for B12 in HCN door style”

It is our option to provide repair parts or replace functionally equivalent product. Return of product may be required for replacements. Such repair parts or replacement shall be at warrantor's expense, but customer shall bear all other expenses, including, but not limited to, cost of removal, transportation, re-installation, communication and any special service required by customer such as, overtime labor, etc.

Natural woods vary in color and grain pattern and exhibit color change over time. Cabinets may darken or lighten with age due to exposure to certain environmental conditions including but not limited to sunlight, moisture, household cleaners, smoke, etc. These variations are considered the natural characteristics of the material and are not covered under these warranties.

EXCEPT TO THE EXTENT PROVIDED BY APPLICABLE LAW, ALL IMPLIED WARRANTIES, INCLUDING WARRANTIES OF MERCHANTABILITY AND FITNESS FOR A PARTICULAR PURPOSE, ARE LIMITED IN DURATION TO THE SHORTER OF THE PERIOD PROVIDED BY LAW OR THE PERIOD OF THIS WARRANTY, AND UNDER NO CIRCUMSTANCE SHALL ALL WOOD BE LIABLE FOR INCIDENTAL OR CONSEQUENTIAL DAMAGES SUSTAINED IN CONNECTION WITH THE PRODUCT. THE EXPRESS WARRANTY ABOVE CONSTITUTES THE ENTIRE WARRANTY AND IS IN LIEU OF ALL OTHERS EXPRESSED OR IMPLIED.

Some states do not allow the exclusion or limitation of incidental or consequential damages, or limitation on how long an implied warranty lasts, therefore, the above limitations or exclusions may not apply to you.

This warranty gives you specific legal rights, and you may also have other rights, which vary from state to state.

INDEMNITY

All Wood shall not be liable for either its failure to perform or its delays in performance hereunder arising out of or resulting from causes beyond its control, including but not limited to, acts of God, acts of Representation, acts of Government, wars, fires, floods, epidemics, quarantine, strike, freight embargoes, weather or default by suppliers due to any such causes.