



P

RODUCT SPECIFICATION GUIDE



Member

NKBA

CARB2
compliant



MARCH 2012



Limited Lifetime Warranty

All Wood Cabinetry (warrantor) warrants to the original consumer purchaser only, that all products manufactured or supplied by warrantor will be free from defects in material and workmanship under normal use and service for your lifetime as long as you own the cabinetry. Proof of Purchase is required. These warranties are only applicable to product used for Residential Purposes and is not transferable to Subsequent owners.

This warranty does not cover damage resulting from normal wear, accident, misuse or lack of reasonable and necessary maintenance and service; nor does it warranty the improper installation or unauthorized repair, alteration, modification, or defects in the product when the product is installed.

In the event of a warranted product performance issue, report in writing to:

Warranty Department
210 Century Boulevard
Bartow, FL 33830

Warranty claim requests must include proof of purchase documentation, description of warranty issue (include photos), door style and part numbers/nomenclature:

"Replacement door for B12-HCN, 12" Base Cabinet"

It is our option to provide repair parts or replace functionally equivalent product. Return of product may be required for replacements. Such repair parts or replacement shall be at warrantor's expense, but customer shall bear all other expenses, including, but not limited to, cost of removal, shipping, re-installation, communication and any special service required by customer such as, overtime labor, etc.

Natural woods vary in color and grain pattern and exhibit color change over time. Cabinets may darken or lighten with age due to exposure to certain environmental conditions including but not limited to sunlight, moisture, household cleaners, smoke, etc. These variations are considered the natural characteristics of the material and are not covered under these warranties.

EXCEPT TO THE EXTENT PROVIDED BY APPLICABLE LAW, ALL IMPLIED WARRANTIES, INCLUDING WARRANTIES OF MERCHANTABILITY AND FITNESS FOR A PARTICULAR PURPOSE, ARE LIMITED IN DURATION TO THE SHORTER OF THE PERIOD PROVIDED BY LAW OR THE PERIOD OF THIS WARRANTY, AND UNDER NO CIRCUMSTANCE SHALL ALL WOOD CABINETRY BE LIABLE FOR INCIDENTAL OR CONSEQUENTIAL DAMAGES SUSTAINED IN CONNECTION WITH THE PRODUCT. THE EXPRESS WARRANTY ABOVE CONSTITUTES THE ENTIRE WARRANTY AND IS IN LIEU OF ALL OTHERS EXPRESSED OR IMPLIED.

Some states do not allow the exclusion or limitation of incidental or consequential damages, or limitation on how long an implied warranty lasts, therefore, the above limitations or exclusions may not apply to you.

This warranty gives you specific legal rights, and you may also have other rights, which vary from state to state.

INDEMNITY

All Wood Cabinetry shall not be liable for either its failure to perform or its delays in performance hereunder arising out of or resulting from causes beyond its control, including but not limited to, acts of God, acts of Representation, acts of Government, wars, fires, floods, epidemics, quarantine, strike, freight embargoes, weather or default by suppliers due to any such causes.

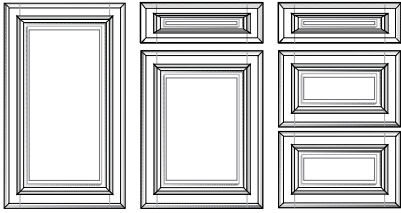


Table of Contents

Standard Overlay Door Styles	2
Standard Overlay Cabinet Construction	3
Full Overlay Door Styles	4-5
Full Overlay Cabinet Construction	6
Cabinet Customization Options	7
Wall Cabinets & Accessories.....	8-15
Base Cabinets & Accessories	16-23
Tall Cabinets & Accessories	24-28
Vanity Cabinets & Accessories	29-32
Cabinet Front Only Availability Guide	33
Decorative Molding	34-35
Decorative Hardware	36-37
Cabinet Frame & Opening Dimensions	38-40

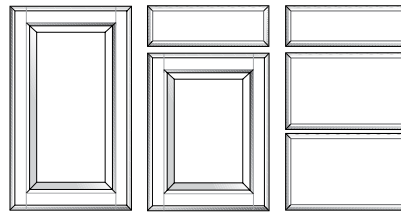
Standard Overlay Door Styles

Heritage Chocolate Glaze (HCG)



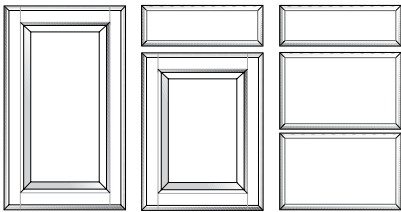
- 3/4" thick, standard overlay solid hardwood frame wall and base doors with solid hardwood square raised center panels and 3/4" wide applied picture frame molding
- 3/4" thick, standard overlay solid hardwood frame drawer fronts with solid hardwood square raised center panels and 3/4" wide applied picture frame molding
- Fully concealed hinges
- Available in Chocolate Glaze finish
- Door and drawer fronts have reverse bevel eliminating the need for decorative hardware if not desired

Walkington Light Oak (WLO)



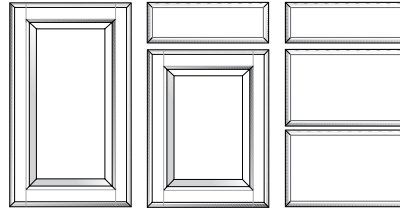
- 3/4" thick, standard overlay solid hardwood frame wall and base doors with solid oak square raised center panels
- 3/4" thick, standard overlay solid hardwood profiled slab drawer fronts
- Fully concealed hinges
- Available in Light Oak finish
- Door and drawer fronts have a finger pull rout eliminating the need for decorative hardware if not desired

Vermont Honey Spice (VHS)



- 3/4" thick, standard overlay solid hardwood frame wall and base doors with solid hardwood square raised center panels
- 3/4" thick, standard overlay solid hardwood profiled slab drawer fronts
- Fully concealed hinges
- Available in Honey Spice finish
- Door and drawer fronts have finger pull rout eliminating the need for decorative hardware if not desired

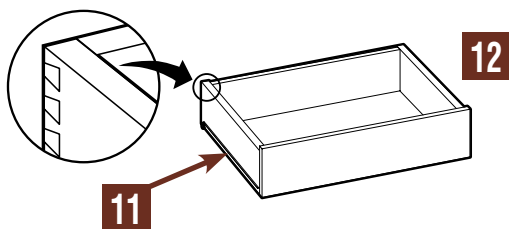
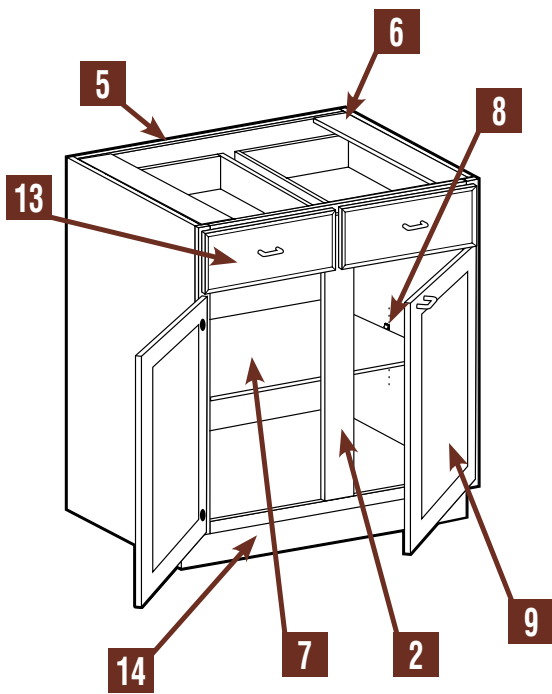
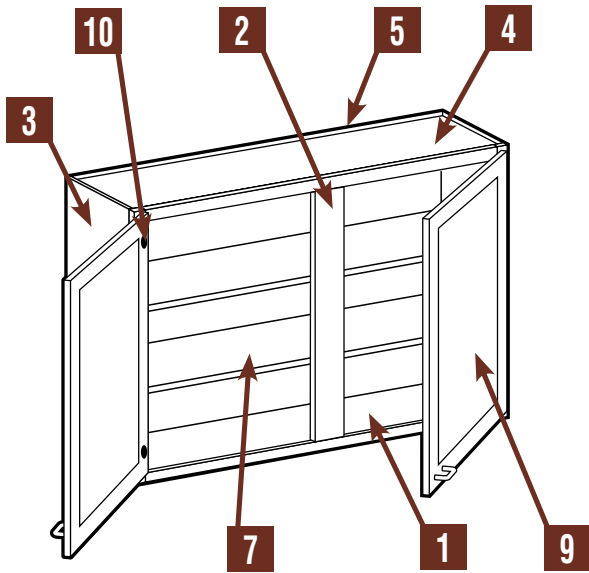
Westport Cinnamon (WCN)



- 3/4" thick, standard overlay solid hardwood frame wall and base doors with solid hardwood square raised center panels
- 3/4" thick, standard overlay solid hardwood profiled slab drawer fronts
- Fully concealed hinges
- Available in Cinnamon finish
- Door and drawer fronts have finger pull rout eliminating the need for decorative hardware if not desired

STANDARD Overlay cabinetry is constructed from various pieces of solid wood/ wood veneers and differences in grain pattern and color should be expected. Color differences in wood are the result of variations in minerals found in the soil native to the tree's origin. Absorption of these minerals will vary by tree or parts of said tree. In addition, color changes can be experienced due to different exposure to light. All species of wood will display characteristics such as knots, pinholes, sap runs, mineral streaks and darkening with age. It is the natural beauty of wood to exhibit these characteristics and they will be present throughout your cabinetry. Our Chocolate Glaze finish features hand brushed glaze applied over the base stain which accentuates the door and drawer front profiles. This glazing, combined with occasional fly specks, dents, drips and runs is random and intentional in design to mimic the look of distressed furniture.

Standard Overlay Construction Details



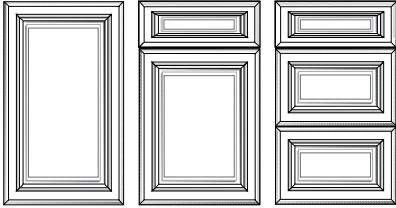
1	INTERIOR	Light maple print laminated to 1/2" thick plywood provides sanitary, wipe clean finish
2	FACE FRAME	3/4" thick solid hardwood doweled and joint glued
3	END PANELS	1/2" thick plywood with light maple print laminated interior and raw veneer exterior. EXPOSED SIDES REQUIRE FINISHED END PANELS.
4	FLOOR & CEILING	1/2" thick plywood with light maple print laminated both sides captured by end panels
5	BACK PANELS	1/2" thick plywood with light maple print laminated one side captured by end panels
6	"I-BEAM" SUPPORTS	1/2" thick plywood, full depth braces provide stability and support for countertop attachment
7	ADJUSTABLE SHELVES	3/4" thick plywood with light maple print laminated both sides with matching edgebanding. Base and wall adjustable shelves are full depth.
8	SHELF SUPPORTS	Clear, high strength plastic with locking top tab to prevent shelf tip. Provides for easy shelf adjustment.
9	DOORS	Solid hardwood doors featuring finger pull routing or reverse bevel, eliminating the need for decorative hardware, unless desired. SOFT CLOSE DOOR OPTION AVAILABLE. CONSULT WALL CABINET SECTION OF SPECIFICATION GUIDE FOR DETAILS.
10	HINGES	Fully concealed, 110° opening featuring multiple adjustments for ease of alignment
11	RUNNERS/ GLIDES	Drawers and roll-out trays have epoxy coated, undermount suspension system with 75 lb. load capacity and smooth closing operation. FULL EXTENSION (FX) OPTION IS AVAILABLE. CONSULT BASE CABINET SECTION OF SPECIFICATION GUIDE FOR DETAILS.
12	DRAWERS & ROLL-OUT TRAYS	5/8" thick solid hardwood, four-sided dovetail with 1/4" thick captured plywood floor, all finished with clear top coat to coordinate with cabinet interior
13	DRAWER FRONTS	Solid hardwood featuring finger pull routing or reverse bevel, eliminating the need for decorative hardware, unless desired
14	INTEGRAL TOE KICK	1/2" thick plywood secured between end panels. Provides solid backing for installation of matching toe kick or other materials such as ceramic, vinyl, etc.



Specifications subject to change without notice.

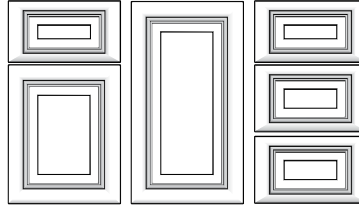
Full Overlay Door Styles

Hamilton Arctic White (HAW)



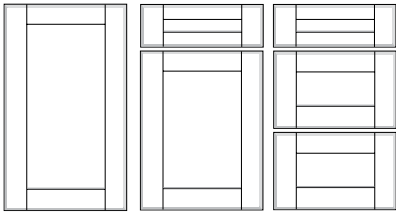
- 3/4" thick, full overlay solid MDF raised panel vinyl clad wall and base doors
- 3/4" thick, full overlay solid MDF raised panel vinyl clad drawer fronts
- Fully concealed hinges
- Available in Arctic White Vinyl
- Decorative hardware required

Lexington Cabernet (LCB)



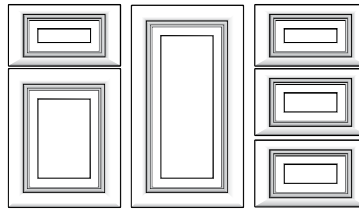
- 3/4" thick, "pillow top" full overlay solid hardwood miter 2 3/4" frame wall and base doors with solid hardwood square raised center panels
- 3/4" thick, "pillow top" full overlay solid hardwood miter 2 3/4" frame drawer fronts with solid hardwood square raised center panels. Top drawer fronts are constructed with 2" stiles and rails.
- Fully concealed hinges
- Available in Cabernet finish
- Decorative hardware required

Hawthorne Cinnamon (HCN)



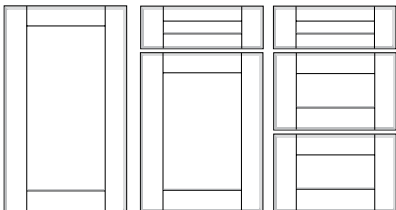
- 3/4" thick, full overlay solid hardwood 3" frame wall and base doors with 5/8" thick solid hardwood square recessed panels
- 3/4" thick full overlay solid hardwood 3" frame drawer fronts with 5/8" thick solid hardwood square recessed center panels
- Fully concealed hinges
- Available in Cinnamon finish
- Decorative hardware required

Langston Cinnamon (LCN)



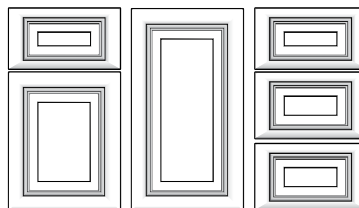
- 3/4" thick, "pillow top" full overlay solid hardwood miter 2 3/4" frame wall and base doors with solid hardwood square raised center panels
- 3/4" thick, "pillow top" full overlay solid hardwood miter 2 3/4" frame drawer fronts with solid hardwood square raised center panels. Top drawer fronts are constructed with 2" stiles and rails.
- Fully concealed hinges
- Available in Cinnamon finish
- Decorative hardware required

Kenyon Cabernet (KCB)



- 3/4" thick, full overlay solid hardwood 3" frame wall and base doors with 5/8" thick solid hardwood square recessed panels
- 3/4" thick full overlay solid hardwood 3" frame drawer fronts with 5/8" thick solid hardwood square recessed center panels
- Fully concealed hinges
- Available in Cabernet finish
- Decorative hardware required

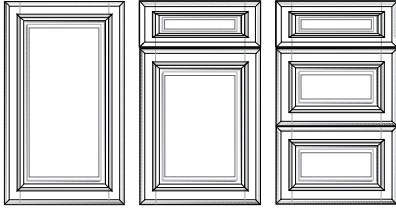
Lancaster Toffee Glaze (LTG)



- 3/4" thick, "pillow top" full overlay solid hardwood miter 2 3/4" frame wall and base doors with solid hardwood square raised center panels
- 3/4" thick, "pillow top" full overlay solid hardwood miter 2 3/4" frame drawer fronts with solid hardwood square raised center panels. Top drawer fronts are constructed with 2" stiles and rails.
- Fully concealed hinges
- Available in Toffee Glaze finish
- Decorative hardware required

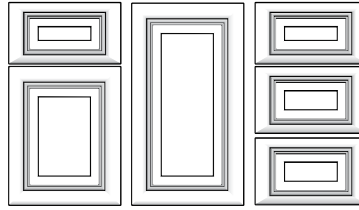
Full Overlay Door Styles (cont.)

Haven Biscuit Glaze (HBG)



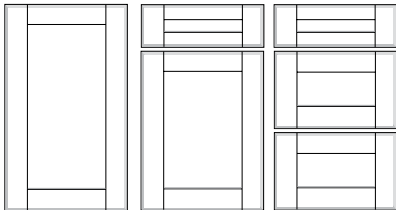
- 3/4" thick, full overlay solid hardwood frame wall and base doors with solid hardwood square raised center panels and 3/4" wide applied picture frame molding
- 3/4" thick, full overlay solid hardwood frame drawer fronts with solid hardwood square raised center panels and 3/4" wide applied picture frame molding
- Fully concealed hinges
- Available in Biscuit Glaze finish
- Decorative hardware required

Ridgeway Mocha Glaze (RMG)



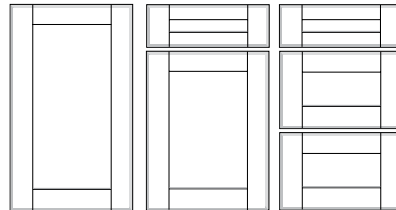
- 3/4" thick, "pillow top" full overlay solid hardwood miter 2 3/4" frame wall and base doors with solid hardwood square raised center panels
- 3/4" thick, "pillow top" full overlay solid hardwood miter 2 3/4" frame drawer fronts with solid hardwood square raised center panels. Top drawer fronts are constructed with 2" stiles and rails.
- Fully concealed hinges
- Available in Mocha Glaze finish
- Decorative hardware required

Fulton Mocha Glaze (FMG)



- 3/4" thick, full overlay solid hardwood 3" frame wall and base doors with 5/8" thick solid hardwood square recessed panels
- 3/4" thick full overlay solid hardwood 3" frame drawer fronts with 5/8" thick solid hardwood square recessed center panels
- Fully concealed hinges
- Available in Mocha Glaze finish
- Decorative hardware required

Nantucket Polar White (NPW)

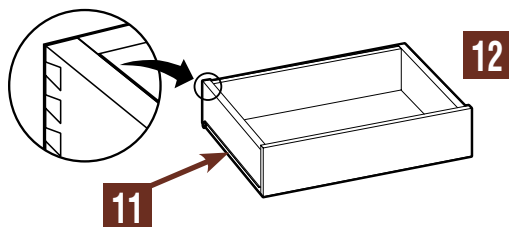
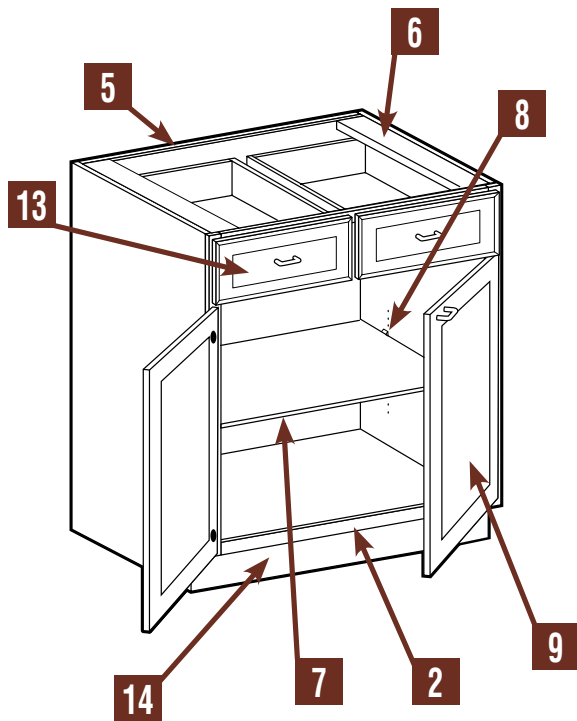
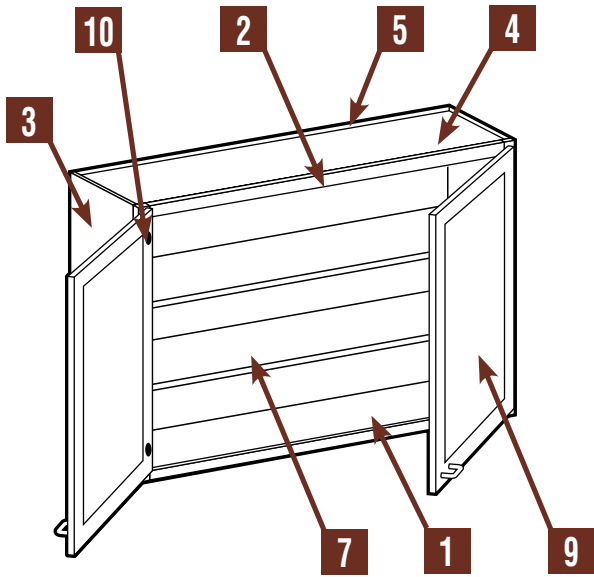


- 3/4" thick, full overlay painted MDF 3" frame wall and base doors with 5/8" thick painted MDF square recessed panels
- 3/4" thick full overlay painted MDF 3" frame drawer fronts with 5/8" thick solid painted MDF recessed center panels
- Fully concealed hinges
- Available in a painted Polar White finish
- Decorative hardware required

NEW

FULL Overlay cabinetry is constructed from various pieces of solid wood and wood veneers or white PVC on plywood. Differences in grain pattern and color should be expected. Color differences in wood are the result of variations in minerals found in the soil native to the tree's origin. Absorption of these minerals will vary by tree or parts of said tree. In addition, color changes can be experienced due to different exposure to light. All species of wood will display characteristics such as knots, pinholes, sap runs, mineral streaks and darkening with age. It is the natural beauty of wood to exhibit these characteristics and they will be present throughout your cabinetry. Our Toffee Glaze finish features hand applied glaze applied over the base stain which accentuates the door and drawer front profiles. This glazing, combined with occasional fly specks, dents, drips and runs is random and intentional in design to mimic the look of distressed furniture. The Arctic White and Polar White finished product features solid wood painted face frames. As with any painted wood surface, expansion and contraction with changes in climate may cause fractures in the paint surface at joints. This is an acceptable characteristic and will vary based on climate conditions. In addition, there may be a slight color shift over time due to continued exposure to both natural and artificial light.

Full Overlay Construction Details



1	INTERIOR	Light maple print laminated to 1/2" thick plywood provides sanitary, wipe clean finish
2	FACE FRAME	3/4" thick solid hardwood doweled and joint glued
3	END PANELS	1/2" thick plywood with light maple print laminated interior and raw veneer exterior. EXPOSED SIDES REQUIRE FINISHED END PANELS.
4	FLOOR & CEILING	1/2" thick plywood with light maple print laminated both sides captured by end panels
5	BACK PANELS	1/2" thick plywood with light maple print laminated one side captured by end panels
6	"I-BEAM" SUPPORTS	1/2" thick plywood, full depth braces provide stability and support for countertop attachment
7	ADJUSTABLE SHELVES	3/4" thick plywood with light maple print laminated both sides with matching edgebanding. Base and wall adjustable shelves are full depth.
8	SHELF SUPPOTS	Clear, high strength plastic with locking top tab to prevent shelf tip. Provides for easy shelf adjustment.
9	DOORS	Full overlay doors available in solid hardwood or MDF. SOFT CLOSE DOOR OPTION AVAILABLE. CONSULT WALL CABINET SECTION OF SPECIFICATION GUIDE FOR DETAILS.
10	HINGES	Fully concealed, 110° opening featuring multiple adjustments for ease of alignment.
11	RUNNERS/ GLIDES	Drawers and roll-out trays have epoxy coated, undermount suspension system with 75 lb. load capacity and smooth closing operation. FULL EXTENSION (FX) OPTION IS AVAILABLE. CONSULT BASE CABINET SECTION OF SPECIFICATION GUIDE FOR DETAILS.
12	DRAWERS & ROLL-OUT TRAYS	5/8" thick solid hardwood, four-sided dovetail with 1/4" thick captured plywood floor, all finished with clear top coat to coordinate with cabinet interior.
13	DRAWER FRONTS	Stylish full overlay drawer fronts available in solid hardwood or MDF.
14	INTEGRAL TOE KICK	1/2" thick plywood secured between end panels. Provides solid backing for installation of matching toe kick or other materials such as ceramic, vinyl, etc.



Specifications subject to change without notice.

FACTORY FINISHED ENDS

- Cabinets are manufactured with unfinished wood veneer exterior finish. Exposed sides, visible once installation is complete, require a color matched end panel.
- Factory Finished Ends are available for all standard cabinets
- Specify Left Side, Right Side or Both

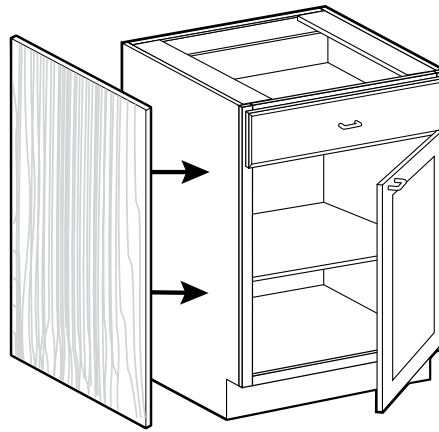
ALTERNATIVE OPTIONS:

V-Groove Skin* - Order separately for field installation

Matching End Panel** - Order separately for field installation

*Available in all styles except HAW, VHS, and WLO

**Available in Full Overlay styles only



CUSTOM DEPTH



CUSTOM DEPTH

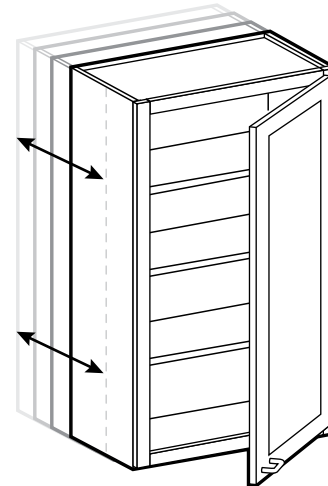
- Available on standard cabinet types in 1" depth increments
- Standard base cabinets with top drawers 15" to 23" deep will include working drawers. 9" to 14" deep cabinets will have no drawer and a false drawer front.

CABINET TYPE

CUSTOM DEPTH MIN - MAX

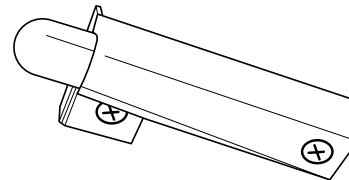
12" deep Wall Cabinets
24" deep Wall Cabinets
Standard Base Cabinets
Base Drawer Cabinets
Tall Utility/Linen Cabinet

5" to 15"
16" to 23"
9" to 23"
15" to 23"
9" to 23"



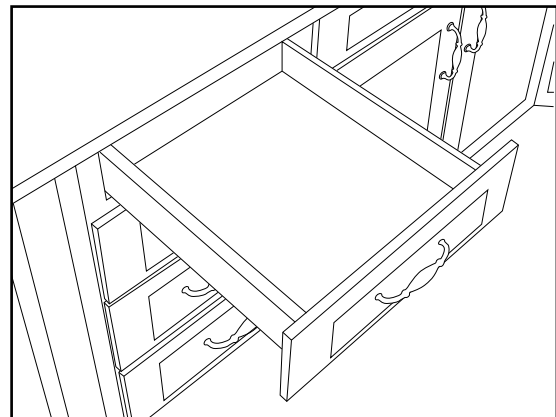
SOFT CLOSE DOOR (SCD)

- Factory installed Soft Close door buffer
- Available for all standard cabinet doors (excluding EZR)
- Entire order must be upgraded to SCD option
- Not available for CFOs



FULL EXTENSION SOFT CLOSE DRAWER RUNNERS (FX)

- Factory installed full-extension Soft Close runners
- Available for all standard drawers and drawer bases
- Entire order must be upgraded to FX option



WALL CABINET CODING

STANDARD

W 30 30

↑ Cabinet Code ↑ Cabinet Width ↑ Cabinet Height

REFRIGERATOR

W 36 24 18

↑ Cabinet Code ↑ Cabinet Width ↑ Cabinet Depth ↑ Cabinet Height

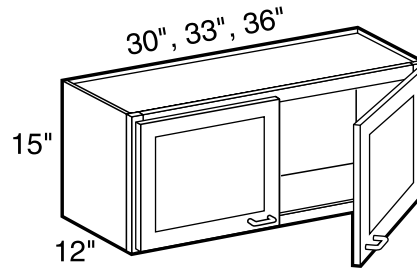
SPECIAL NOTES:

- Standard wall cabinets are 12" deep. Refrigerator wall cabinets are 24" deep.
- Add door thickness for total cabinet depth
- Products are available in all door styles unless stated otherwise
- Standard cabinet exterior is unfinished veneer, exposed sides require Finished Ends or Matching End Panels
- Specification drawings depict Full Overlay products. Standard Overlay styles feature a center stile in cabinets 30" and wider.

15" High Double Door



CUSTOM DEPTH



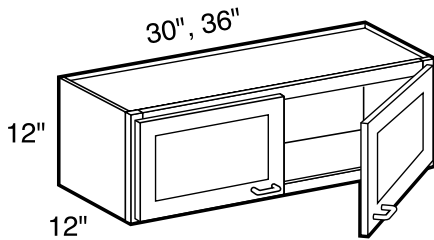
W3015
W3315
W3615

- No shelf
- **CUSTOM DEPTH: 5" to 15" deep**

12" High Double Door



CUSTOM DEPTH



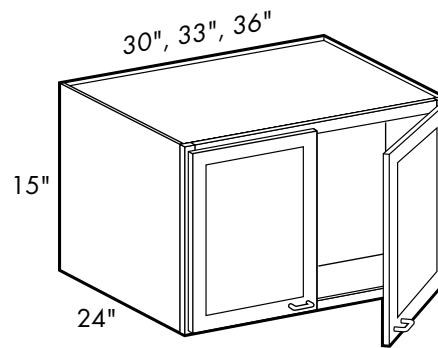
W3012
W3612

- No shelf
- **CUSTOM DEPTH: 5" to 15" deep**

15" High x 24" Deep Double Door



CUSTOM DEPTH



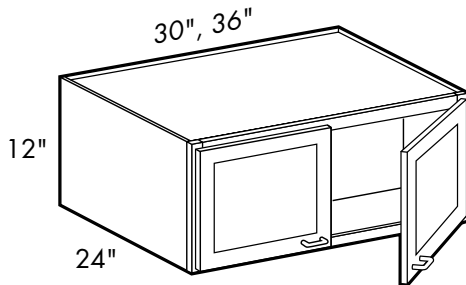
W302415
W332415
W362415

- No shelf
- Must be installed between two cabinets, cabinet and wall, or supported by refrigerator panels (RP)
- **CUSTOM DEPTH: 16" to 23" deep**

12" High x 24" Deep Double Door



CUSTOM DEPTH



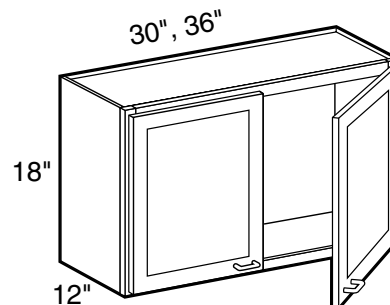
W302412
W362412

- No shelf
- Must be installed between two cabinets, cabinet and wall, or supported by refrigerator panels (RP)
- **CUSTOM DEPTH: 16" to 23" deep**

18" High Double Door



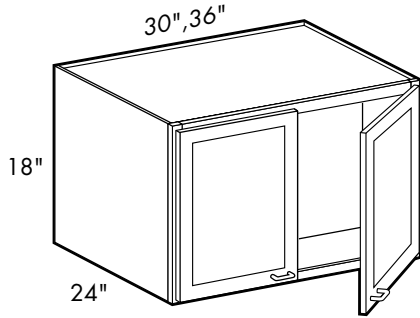
CUSTOM DEPTH



W3018
W3618

- No shelf
- **CUSTOM DEPTH: 5" to 15" deep**

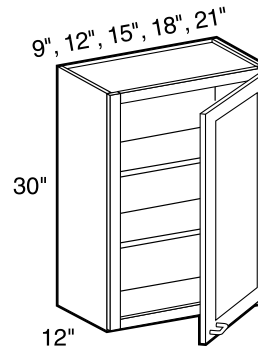
18" High x 24" Deep Double Door



W302418
W362418

- No shelf
- Must be installed between two cabinets, cabinet and wall, or supported by refrigerator panels (RP)
- **CUSTOM DEPTH: 16" to 23" deep**

30" High Single Door

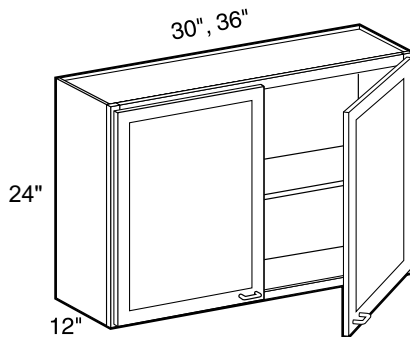


SPECIFY
RIGHT or LEFT HINGED

W0930
***W1230**
***W1530**
***W1830**
W2130

- Two adjustable shelves
- * Mullion doors available in select styles. Consult availability guide on page 13.
- **CUSTOM DEPTH: 5" to 15" deep**

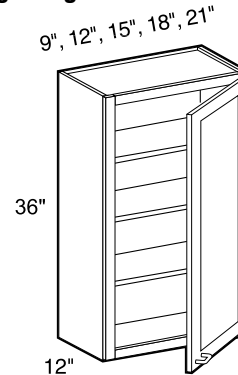
24" High Double Door



W3024
W3624

- One adjustable shelf
- **CUSTOM DEPTH: 5" to 15" deep**

36" High Single Door

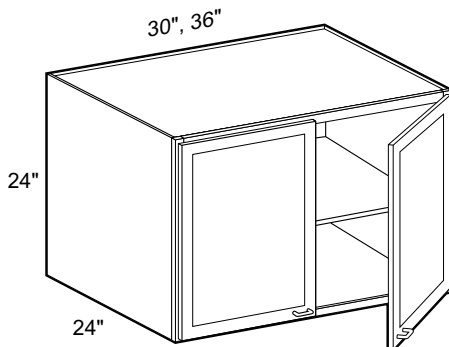


SPECIFY
RIGHT or LEFT HINGED

W0936
***W1236**
***W1536**
***W1836**
W2136

- Three adjustable shelves
- * Mullion doors available in select styles. Consult availability guide on page 13.
- Available in Full Overlay door styles only
- **CUSTOM DEPTH: 5" to 15" deep**

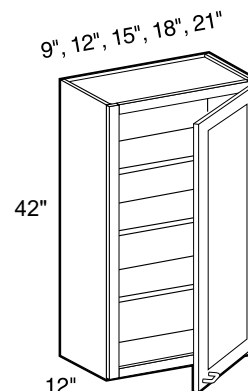
24" High x 24" Deep Double Door



W302424
W362424

- One adjustable shelf
- Must be installed between two cabinets, cabinet and wall, or supported by refrigerator panels (RP)
- **CUSTOM DEPTH: 16" to 23" deep**

42" High Single Door

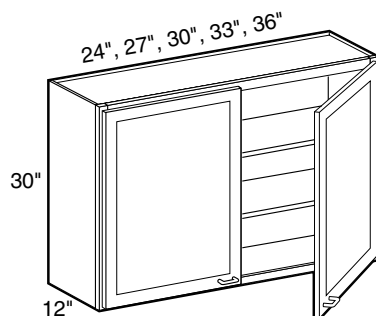


SPECIFY
RIGHT or LEFT HINGED

W0942
***W1242**
***W1542**
***W1842**
W2142

- Three adjustable shelves
- * Mullion doors available in select styles. Consult availability guide on page 13.
- **CUSTOM DEPTH: 5" to 15" deep**

30" High Double Door

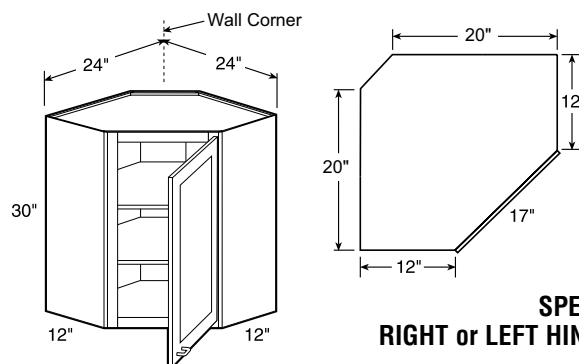


CUSTOM DEPTH

*W2430
W2730
*W3030
W3330
*W3630

- Two adjustable shelves
- * Mullion doors available in select styles. Consult availability guide on page 13.
- **CUSTOM DEPTH: 5" to 15" deep**

30" High Wall Angle

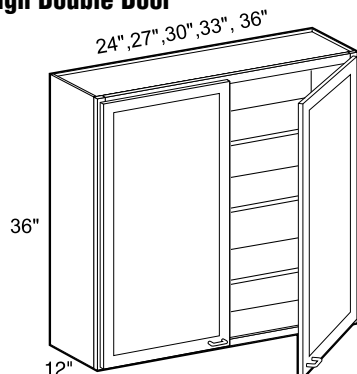


**SPECIFY
RIGHT or LEFT HINGED**

***WA2430**

- Two adjustable shelves
- * Mullion doors available in select styles. Consult availability guide on page 13.
- Clip corner back provides clearance for installation

36" High Double Door

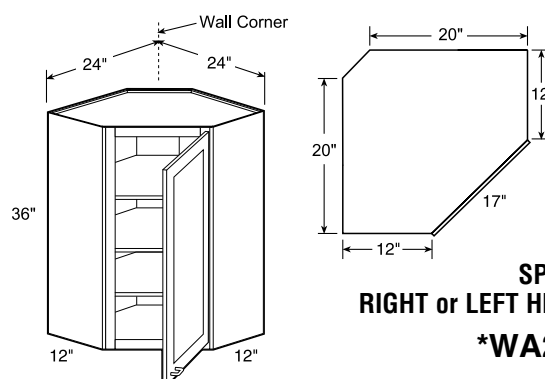


CUSTOM DEPTH

*W2436
W2736
*W3036
W3336
*W3636

- Three adjustable shelves
- * Mullion doors available in select styles. Consult availability guide on page 13.
- Available in Full Overlay door styles only
- **CUSTOM DEPTH: 5" to 15" deep**

36" High Wall Angle

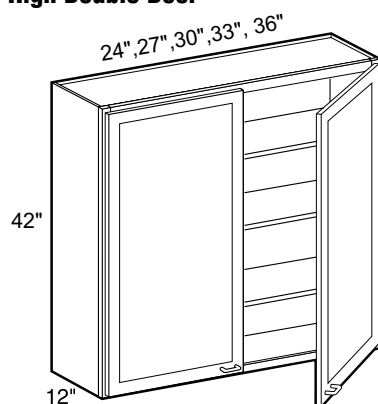


**SPECIFY
RIGHT or LEFT HINGED**

***WA2436**

- Three adjustable shelves
- * Mullion doors available in select styles. Consult availability guide on page 13.
- Clip corner back provides clearance for installation
- **Available in Full Overlay door styles only**

42" High Double Door

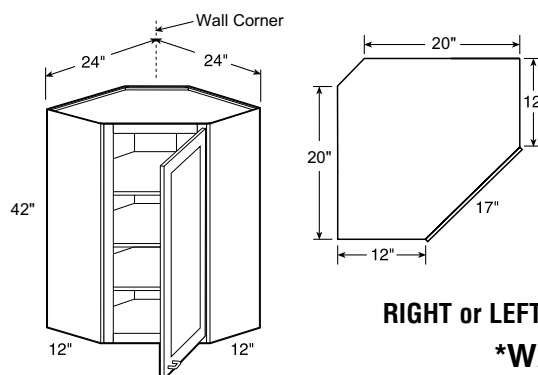


CUSTOM DEPTH

*W2442
W2742
*W3042
W3342
*W3642

- Three adjustable shelves
- * Mullion doors available in select styles. Consult availability guide on page 13.
- **CUSTOM DEPTH: 5" to 15" deep**

42" High Wall Angle

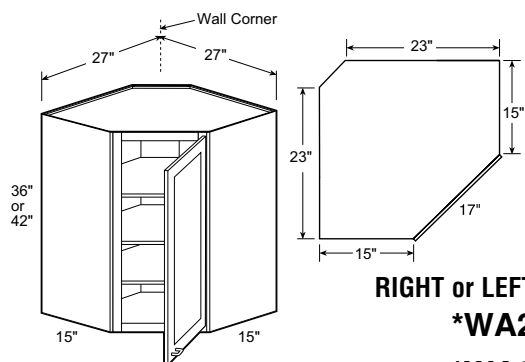


**SPECIFY
RIGHT or LEFT HINGED**

***WA2442**

- Three adjustable shelves
- * Mullion doors available in select styles. Consult availability guide on page 13.
- Clip corner back provides clearance for installation

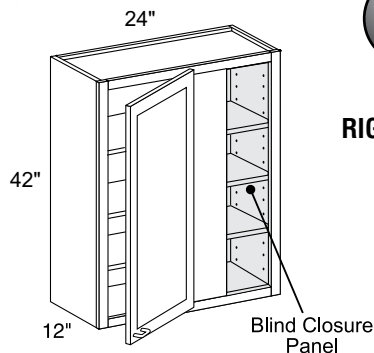
36" and 42" High x 15" Deep Wall Angle



**SPECIFY
RIGHT or LEFT HINGED**
*WA271536
*WA271542

- Three adjustable shelves
- * Mullion doors available in select styles. Consult availability guide on page 13.
- Clip corner back provides clearance for installation
- **Available in Full Overlay door styles only**

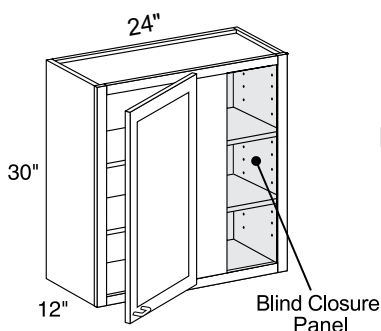
42" High Wall Blind Corner



**SPECIFY
RIGHT or LEFT BLIND**
WBCU2742

- Three adjustable shelves
- Indicate R or L for blind side (right shown)
- Cabinet can be pulled for exact fit (see installation chart)
- 3" filler & 1/8" blind closure panel included
- **CUSTOM DEPTH: 5" to 15" deep**

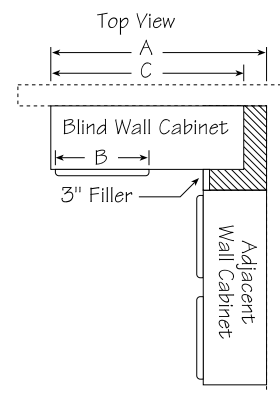
30" High Wall Blind Corner



**SPECIFY
RIGHT or LEFT BLIND**
WBCU2730

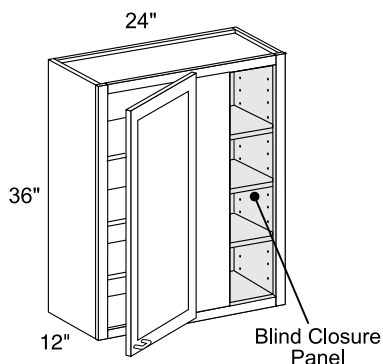
- Two adjustable shelves
- Indicate R or L for blind side (right shown)
- Cabinet can be pulled for exact fit (see installation chart)
- 3" filler & 1/8" blind closure panel included
- **CUSTOM DEPTH: 5" to 15" deep**

Blind Installation Guide



BLIND WALL INSTALLATION GUIDE						
Cabinet	STANDARD OVERLAY			FULL OVERLAY		
	Wall Space "A"	Door Opening Width "B"	Cabinet Width "C"	Wall Space "A"	Door Opening Width "B"	Cabinet Width "C"
WBCU2730	24" Min 30" Max	8 7/8"	24"	25" Min 30" Max	8 7/8"	24"
WBCU2742	24" Min 30" Max	8 7/8"	24"	25" Min 30" Max	8 7/8"	24"

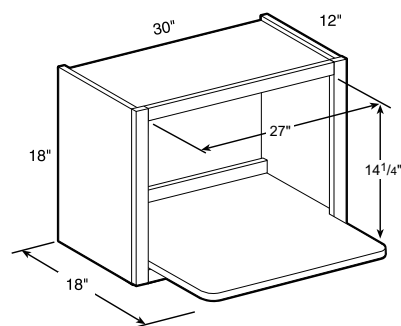
36" High Wall Blind Corner



**SPECIFY
RIGHT or LEFT BLIND**
WBCU2736

- Three adjustable shelves
- Indicate R or L for blind side (right shown)
- Cabinet can be pulled for exact fit (see installation chart)
- 3" filler & 1/8" blind closure panel included
- **Available in Full Overlay door styles only**
- **CUSTOM DEPTH: 5" to 15" deep**

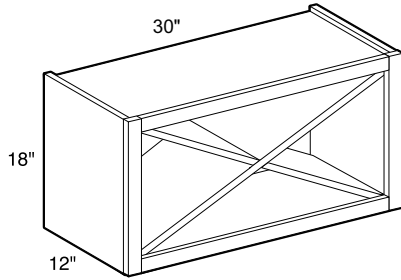
Wall Microwave Shelf



WMS301818

- Matching interior and exterior standard
- Must be installed between two cabinets or cabinet and wall

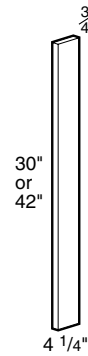
12" Deep Wine Rack



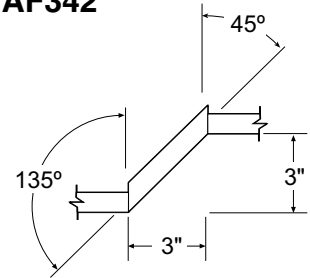
WRX3018

- Matching interior and exterior standard
- 3/4" thick solid wood "X" shelf
- Must be installed between two cabinets or cabinet and wall

Angle Fillers

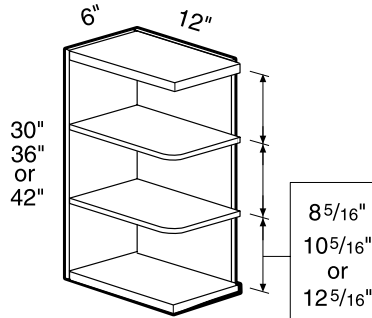


**AF330
AF342**



- 3/4" thick solid wood
- Face and all edges finished

12" Deep Wall End Open Shelf



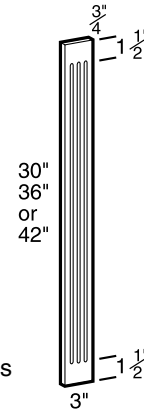
WEOS630

WEOS636

WEOS642

- Reversible, may be installed left or right
- 1/4" thick wood veneer side and 1/2" thick wood veneer back panel
- 1 1/4" thick solid wood square corner top and bottom shelves
- 3/4" thick solid wood intermediate shelves
- WEOS630 & WEOS642 available in Standard & Full Overlay door styles
- WEOS636 available in Full Overlay door styles only

Fluted Fillers



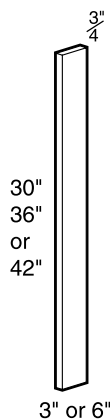
FF330

FF336

FF342

- 3/4" thick solid wood
- Face and all edges finished
- May be trimmed 1/2" each side
- 30" Available in Standard & Full Overlay (except HAW) door styles
- 36" available in Full Overlay (except HAW) door styles only
- 42" Available in Standard & Full Overlay (except HAW) door styles

Filler Strips



FS30

FS36

FS42

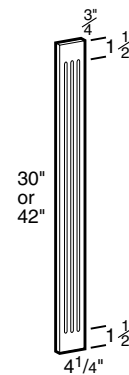
FS630

FS636

FS642

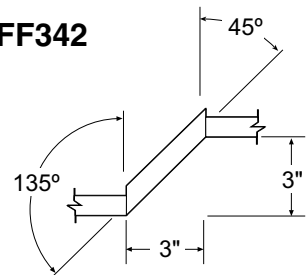
- 3/4" thick solid wood
- Face and all edges finished
- 30" & 42" Available in Standard & Full Overlay door styles
- 36" available in Full Overlay door styles only

Angle Fluted Fillers



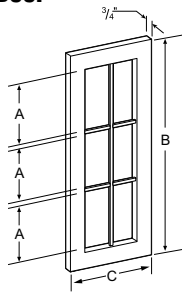
AFF330

AFF342

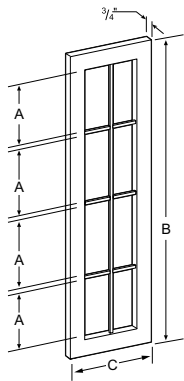


- 3/4" thick solid wood
- Face and all edges finished
- Available in Standard (except WLO & VHS) & Full Overlay (except HAW) door styles

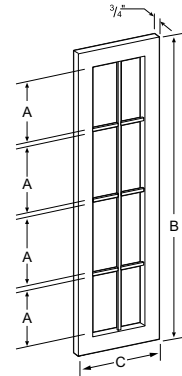
Mullion Door



MD1230
MD1530
MD1830
MD2430WD



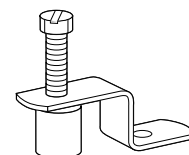
MD1236
MD1536
MD1836



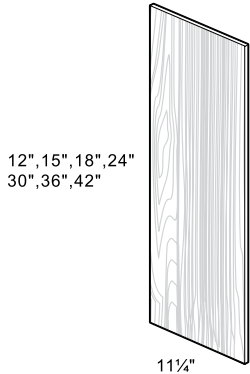
MD1242
MD1542
MD1842
MD2442WD

MULLION DOOR SPECIFICATION, AVAILABILITY & USAGE GUIDE											
SKU	STANDARD OVERLAY				FULL OVERLAY				DESIGNED FOR	QTY.	AVAILABILITY NOTE: MULLION DOORS MAY NOT BE USED ON ANY OTHER CABINET BRANDS
	# OF LITES	DIMENSIONS (inches)			# OF LITES	DIMENSIONS (inches)					
	A	B	C	A	B	C					
MD1230	6	7-1/2	27-3/4	9-3/4	6	8	29-11/16	11-11/16	W1230	1	Standard & Full Overlay (except HAW)
MD1230	N/A	N/A	N/A	N/A	6	8	29-11/16	11-11/16	W2430	2	Full Overlay Only (except HAW)
MD1530	6	7-1/2	27-3/4	12-3/4	6	8	29-11/16	14-11/16	W1530	1	Standard & Full Overlay (except HAW)
MD1530	6	7-1/2	27-3/4	12-3/4	6	8	29-11/16	14-11/16	W3030	2	Standard & Full Overlay (except HAW)
MD1530	N/A	N/A	N/A	N/A	6	8	29-11/16	14-11/16	WA2430	1	Full Overlay Only (except HAW)
MD1830	6	7-1/2	27-3/4	15-3/4	6	8	29-11/16	17-11/16	W1830	1	Standard & Full Overlay (except HAW)
MD1830	6	7-1/2	27-3/4	15-3/4	6	8	29-11/16	17-11/16	W3630	2	Standard & Full Overlay (except HAW)
MD2430WD	6	7-1/2	27-3/4	14-3/4	N/A	N/A	N/A	N/A	WA2430	1	Standard Overlay Only
MD1236	N/A	N/A	N/A	N/A	8	7-1/2	35-11/16	11-11/16	W1236	1	Full Overlay (except HAW) Only
MD1236	N/A	N/A	N/A	N/A	8	7-1/2	35-11/16	11-11/16	W2436	2	Full Overlay (except HAW) Only
MD1536	N/A	N/A	N/A	N/A	8	7-1/2	35-11/16	14-11/16	W1536	1	Full Overlay (except HAW) Only
MD1536	N/A	N/A	N/A	N/A	8	7-1/2	35-11/16	14-11/16	W3036	2	Full Overlay (except HAW) Only
MD1536	N/A	N/A	N/A	N/A	8	7-1/2	35-11/16	14-11/16	WA2436, WA271536	1	Full Overlay (except HAW) Only
MD1836	N/A	N/A	N/A	N/A	8	7-1/2	35-11/16	17-11/16	W1836	1	Full Overlay (except HAW) Only
MD1836	N/A	N/A	N/A	N/A	8	7-1/2	35-11/16	17-11/16	W3636	2	Full Overlay (except HAW) Only
MD1242	8	8-1/4	39-3/4	9-3/4	8	8-3/4	41-11/16	11-11/16	W1242	1	Standard & Full Overlay (except HAW)
MD1242	N/A	N/A	N/A	N/A	8	8-3/4	41-11/16	11-11/16	W2442	2	Full Overlay Only (except HAW)
MD1542	8	8-1/4	39-3/4	9-3/4	8	8-3/4	41-11/16	14-11/16	W1542	1	Standard & Full Overlay (except HAW)
MD1542	8	8-1/4	39-3/4	12-3/4	8	8-3/4	41-11/16	14-11/16	W3042	2	Standard & Full Overlay (except HAW)
MD1542	N/A	N/A	N/A	N/A	8	8-3/4	41-11/16	14-11/16	WA2442, WA271542	1	Full Overlay Only (except HAW)
MD1842	8	8-1/4	39-3/4	15-3/4	8	8-3/4	41-11/16	17-11/16	W1842	1	Standard & Full Overlay (except HAW)
MD1842	8	8-1/4	39-3/4	15-3/4	8	8-3/4	41-11/16	17-11/16	W3642	2	Standard & Full Overlay (except HAW)
MD2442WD	8	8-1/4	39-3/4	14-3/4	N/A	N/A	N/A	N/A	WA2442	1	Standard Overlay Only

- 3/4" door frame with outside profile matching selected door style
- Frame rout accepts various thickness decorative glass
- Full overlay mullion doors are slightly smaller in width than standard full overlay doors. When used in double door applications (24", 30" & 36" wide cabinets), hinge spacers are included to insure proper door alignment.
- Glass is NOT included and must be supplied by customer. Tempered glass is recommended.
- Local glass shops have extensive glass offerings in clear, frosted, seedy and custom leaded
- Door insert clips included for field installation



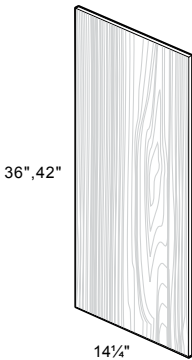
12" Wide Wall Skin



WSK1212
WSK1215
WSK1218
WSK1224
WSK1230
WSK1236
WSK1242

- 3/16" thick laminated matching exterior
- Field modified and installed
- Available in all finishes

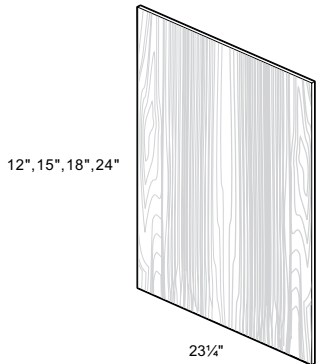
15" Wide Wall Skin



WSK1536
WSK1542

- 3/16" thick laminated matching exterior
- Field modified and installed
- Available in all finishes

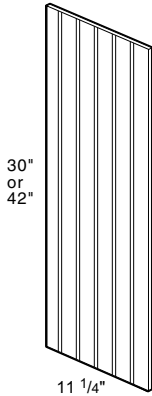
24" Wide Wall Skin



WSK2412
WSK2415
WSK2418
WSK2424

- 3/16" thick laminated matching exterior
- Field modified and installed
- Available in all finishes

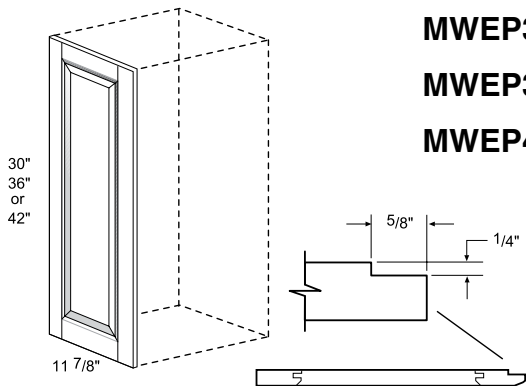
Wall V-Groove Skin



WVGSK30
WVGSK42

- 3/16" thick wood veneer v-groove exterior
- Grooves spaced 1 1/4" on center
- Field modified and installed
- Available in all finished except WLO, VHS and HAW

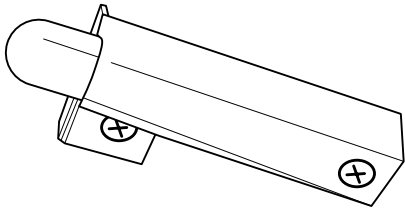
Matching Wall End Panels



MWEP30
MWEP36
MWEP42

- 3/4" thick
- Field installation
- Panel is reversible & fits flush against end panel
- Available in Full Overlay door styles only

Soft Close Door (SCD)



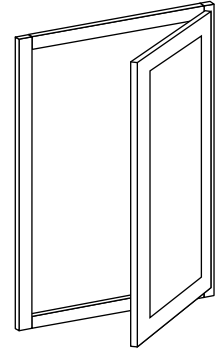
- Available in Standard & Full Overlay door styles
- Adjustable for various size doors
- Nickel plated zinc die cast construction
- Installed on hinge side of frame

Cabinet Fronts Only (CFO)

Most Wall cabinets can be ordered as "Cabinet Fronts Only". Face frame, doors, hinges and bumpers will be supplied and shipped loose.

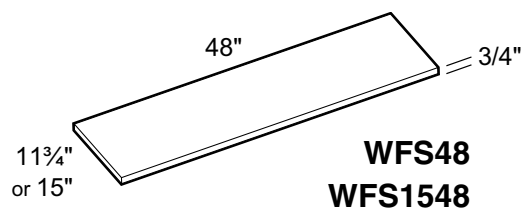
Please consult CFO availability guide on page 33.

Soft Close Door (SCD) option not available for CFOs.



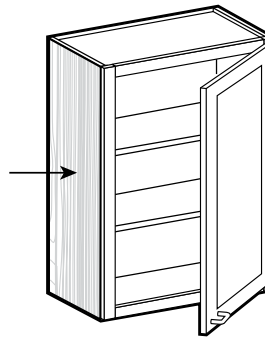
Wood Furniture Shelf

NEW



- 3/4" plywood with veneer or white vinyl finish
- Two long sides edgebanded
- Available in all finishes

Factory Finished End Panels



WSK1212 L or R or Both
WSK1215 L or R or Both
WSK1218 L or R or Both
WSK1224 L or R or Both
WSK1230 L or R or Both
WSK1236 L or R or Both
WSK1242 L or R or Both

- Matching exterior print finish
- Factory installed
- Specify Applied Left, Applied Right, or both
- Available in all finishes

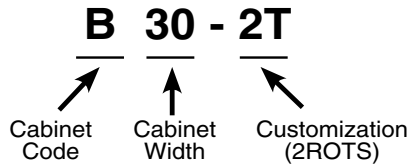
WSK1536 L or R or Both
WSK1542 L or R or Both

WSK2412 L or R or Both
WSK2415 L or R or Both
WSK2418 L or R or Both

Design Tips:

- Do not design Microwave Shelf cabinets next to Wall Angle Corner cabinets, as cabinet door will not fully open
- Do design wall skins on exposed cabinet ends for finished look and ease of top molding installation
- Do design light rails to conceal any under cabinet lighting and to provide a furniture finished look
- Do design different height cabinets for more architectural appeal and the feel of high end custom cabinetry
- Do design fluted fillers for visual appeal and remember, they work great as filler overlays
- Do design the Wall "X" Wine Rack in horizontal and vertical applications and remember, it also works great for island designs
- Do design mullion doors and suggest frost or opaque glass for cabinetry finished in darker stains to reduce contrast with light maple finished interior
- Do design wall skins, V-Groove skins or Matching End Panels for all exposed cabinet ends to finish off maple end panel

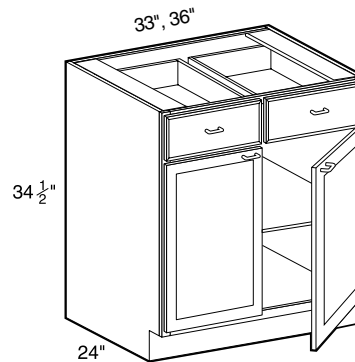
BASE CABINET CODING



SPECIAL NOTES:

- Standard Base Cabinets are 24" deep and 34½" high
- Desk Height base cabinets are 21" deep and 28½" high
- Add door thickness for total cabinet depth
- Products are available in all door styles unless stated otherwise
- Standard cabinet exterior is unfinished veneer, exposed sides require Finished Ends or Matching End Panels
- Specification drawings depict Full Overlay products. Standard Overlay styles feature a center stile in cabinets 30" and wider

24" Deep Double Door

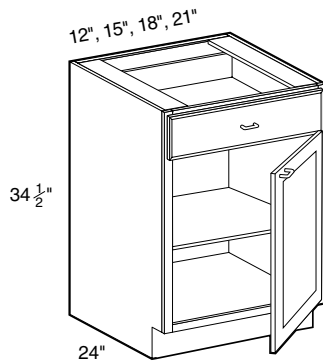


B33

B36

- One full depth adjustable shelf
- **CUSTOM DEPTH: 9" to 23" deep (9" to 14" deep options have false front & no drawer)**

24" Deep Single Door



SPECIFY RIGHT or LEFT HINGED

B12

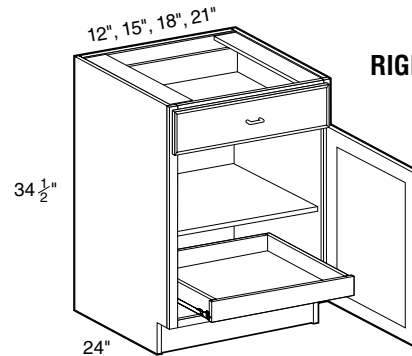
B15

B18

B21

- One full depth adjustable shelf
- **CUSTOM DEPTH: 9" to 23" deep (9" to 14" deep options have false front & no drawer)**

24" Deep Single Door with 1 Roll-Out Tray



SPECIFY RIGHT or LEFT HINGED

B12-1T

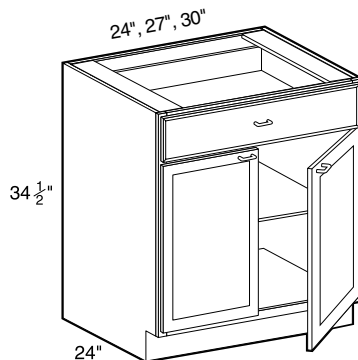
B15-1T

B18-1T

B21-1T

- One full depth adjustable shelf
- One adjustable, full width roll-out tray

24" Deep Double Door



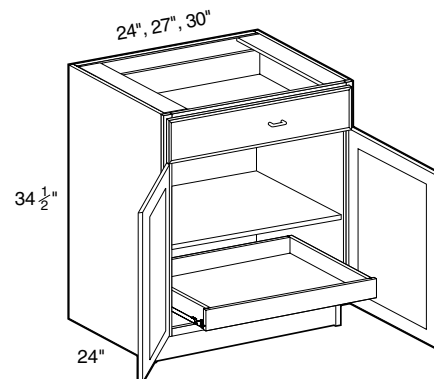
B24

B27

B30

- One full depth adjustable shelf
- **CUSTOM DEPTH: 9" to 23" deep (9" to 14" deep options have false front & no drawer)**

24" Deep Double Door with 1 Roll-Out Tray



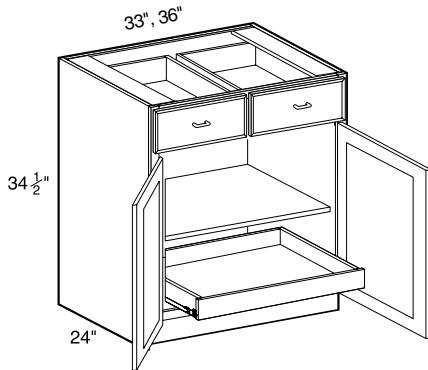
B24-1T

B27-1T

B30-1T

- One full depth adjustable shelf
- One adjustable, full width roll-out tray
- Available in Standard (except B30-1T) & Full Overlay door styles

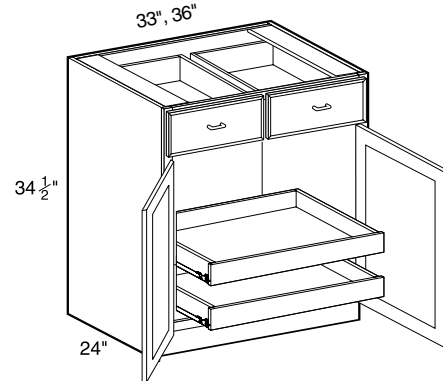
24" Deep Double Door with 1 Roll-Out Tray



B33-1T
B36-1T

- One full depth adjustable shelf
- One adjustable, full width roll-out tray
- Available in Full Overlay door styles only

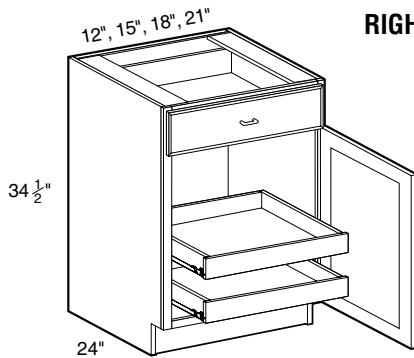
24" Deep Double Door with 2 Roll-Out Trays



B33-2T
B36-2T

- Two adjustable, full width roll-out trays
- Available in Full Overlay door styles only

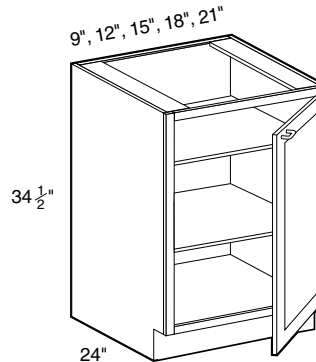
24" Deep Single Door with 2 Roll-Out Trays




SPECIFY
RIGHT or LEFT HINGED
B12-2T
B15-2T
B18-2T
B21-2T

- Two adjustable, full width roll-out trays

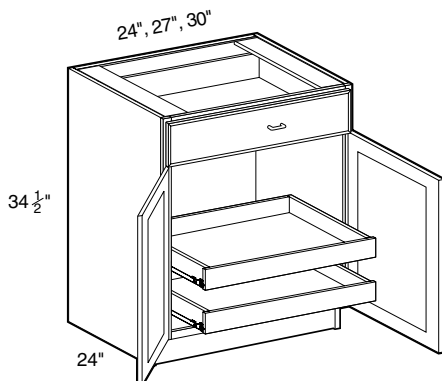
24" Deep Single Full Height Door



 **CUSTOM DEPTH**
SPECIFY
RIGHT or LEFT HINGED
B09FH
B12FH
B15FH
B18FH
B21FH

- Two full depth adjustable shelves
- CUSTOM DEPTH: 9" to 23" deep

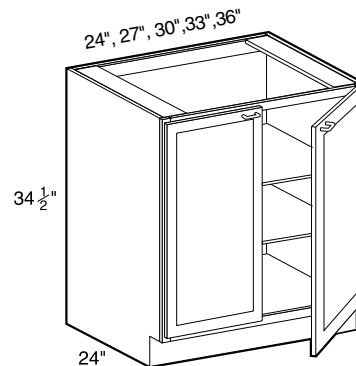
24" Deep Double Door with 2 Roll-Out Trays




B24-2T
B27-2T
B30-2T

- Two adjustable, full width roll-out trays
- Available in Standard (except B30-2T) & Full Overlay door styles

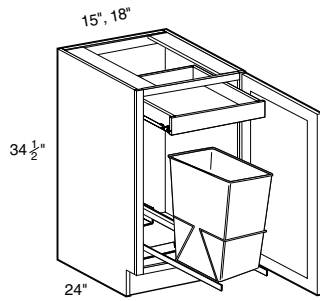
24" Deep Double Full Height Door



 **CUSTOM DEPTH**
B24FH
B27FH
B30FH
B33FH
B36FH

- Two full depth adjustable shelves
- CUSTOM DEPTH: 9" to 23" deep

24" Deep Base Single Wastebasket

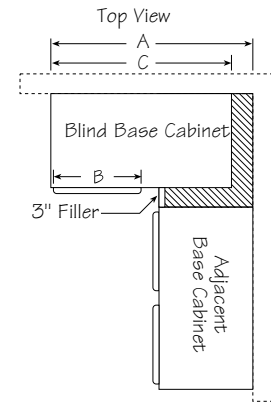


**SPECIFY
RIGHT or LEFT HINGED**

**B1WB15
B1WB18**

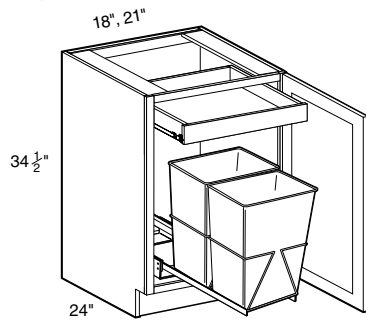
- Basket slides on heavy duty, full extension runners
- 35 quart capacity basket is secured by epoxy coated white wire "cage"
- White basket is removable
- Unit dimensions: 14"W x 10"D x 18"H
- Top mount roll-out tray for trash bag storage

Blind Base Installation



Cabinet	BLIND BASE INSTALLATION GUIDE							
	STANDARD OVERLAY				FULL OVERLAY			
	Wall Space "A"		Door Opening	Cabinet	Wall Space "A"		Door Opening	Cabinet
	Min	Max	Width "B"	Width "C"	Min	Max	Width "B"	Width "C"
BBCU39	36"	42"	8 7/8"	30"	39"	42"	8 7/8"	30"
BBCU42	39"	45"	12"	36"	42"	45"	12"	36"

24" Deep Base Double Wastebasket

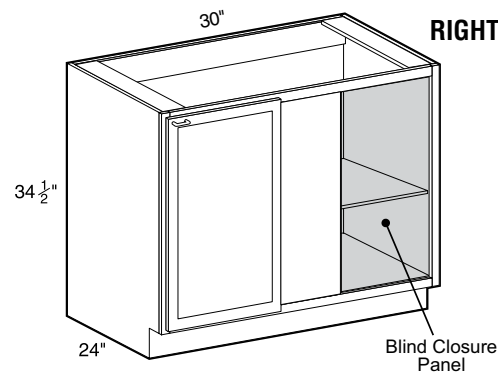


**SPECIFY
RIGHT or LEFT BLIND**

**B2WB18
B2WB21**

- Baskets slide on heavy duty, full extension runners
- 27 quart capacity baskets (2) are secured by epoxy coated white wire "cage"
- White baskets are removable
- Unit dimensions: 11"W x 11"D x 18"H
- Top mount roll-out tray for trash bag storage

24" Deep Blind Corner

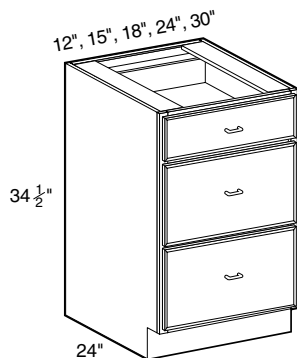


**SPECIFY
RIGHT or LEFT BLIND**

BBCU39

- Indicate R or L for blind side (right shown)
- Cabinet can be pulled for exact fit (see installation chart)
- 3" filler & 1/8" blind closure panel included

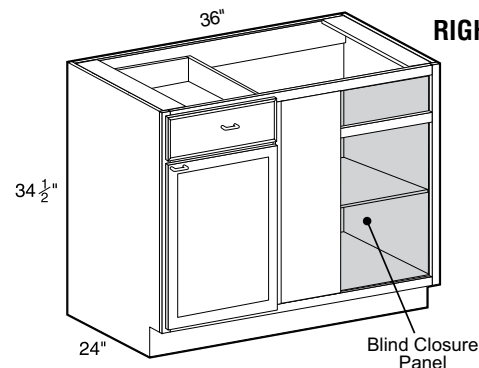
24" Deep Base Drawer



**BD12
BD15
BD18
BD24
BD30**

- One standard drawer
- Two deep drawers
- **CUSTOM DEPTH: 15" to 23" deep**

24" Deep Blind Corner

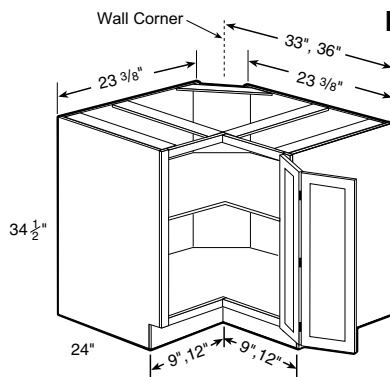


**SPECIFY
RIGHT or LEFT BLIND**

BBCU42

- Indicate R or L for blind side (right shown)
- Cabinet can be pulled for exact fit (see installation chart)
- 3" filler & 1/8" blind closure panel included

33" and 36" Easy Reach

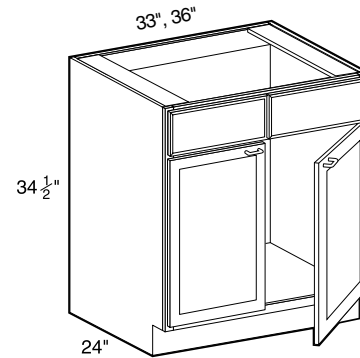


SPECIFY
RIGHT or LEFT HINGED

EZR33
EZR36

- One full depth "L" shaped shelf
- Doors open 170 degrees for easy access
- **SOFT CLOSE DOOR (SCD) OPTION NOT AVAILABLE**

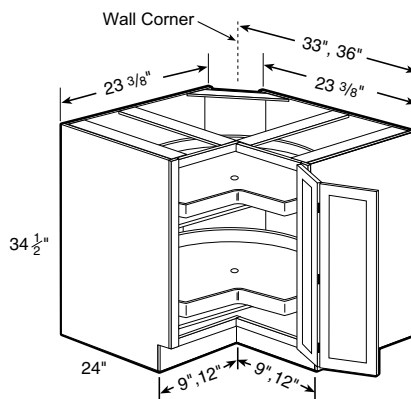
24" Deep Sink Base



SB33
SB36

- No shelf, two false drawer fronts
- May also be used as drop-in cooktop base
- **CUSTOM DEPTH: 9" to 23" deep**

33" and 36" Easy Reach Super Suzan

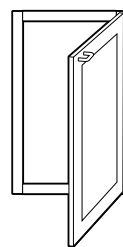


SPECIFY
RIGHT or LEFT HINGED

EZR33SS
EZR36SS

- Two 26" or 28" diameter, pie-cut independently revolving all wood shelves
- Doors open 170 degrees for easy access
- **SOFT CLOSE DOOR (SCD) OPTION NOT AVAILABLE**

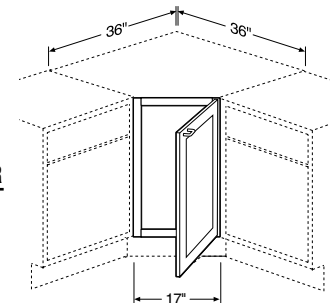
Sink Front Angle



FACE FRAME & DOOR
SFA36

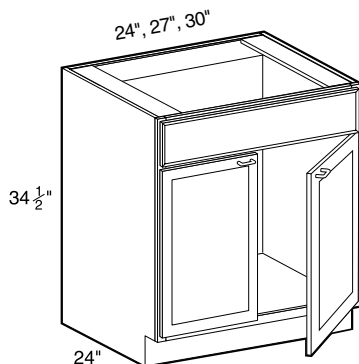


CORNER FLOOR
SFAF36



- Floor support and toe kick field constructed
- Face frame and door may be installed right or left
- Maximum sink width for this application 25 3/4"

24" Deep Sink Base

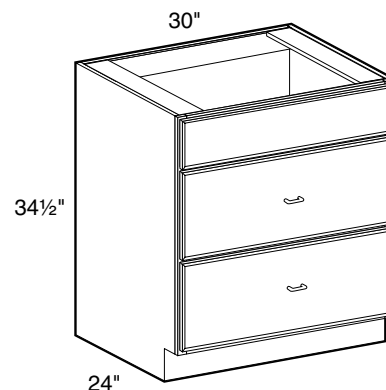


SB24
SB27
SB30

- No shelf, false drawer front
- May also be used as drop-in cooktop base
- **CUSTOM DEPTH: 9" TO 23" deep**

24" Deep Base Cooktop

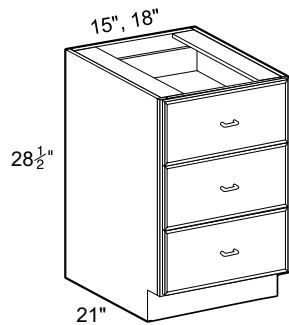
NEW



BCT30

- No shelf, false top drawer front
- Two deep drawers
- Accepts drop-in cooktop

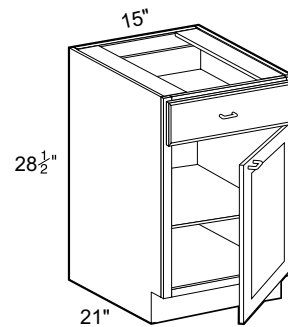
21" Deep Desk Drawer



DDR15
DDR18

- Three standard drawers
- Comfortable height for dressing table or writing surface
- Matching exterior standard

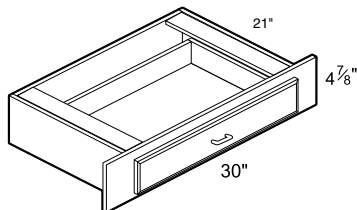
21" Deep Desk Door



SPECIFY
RIGHT or LEFT HINGED
DDO15

- One adjustable shelf
- Comfortable height for dressing table or writing surface
- Matching exterior standard

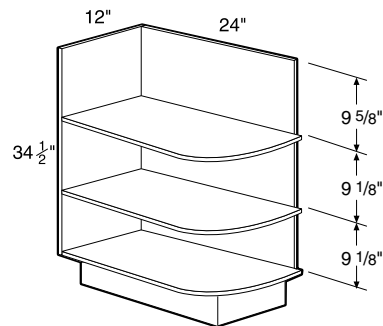
21" Deep Desk Knee Drawer



DKD30

- One full width pencil/cosmetic drawer
- Knee drawer is designed for use between two desk base cabinets
- Comfortable height for dressing table or writing surface when installed at 28 1/2" height with 1 1/2" thick countertop
- Slab drawer front all door styles
- Standard Overlay may be trimmed up to 2" on each side
- Full Overlay may be trimmed up to 1" on each side
- FULL EXTENSION RUNNER NOT AVAILABLE

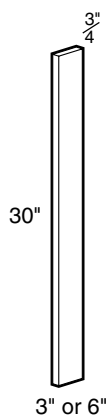
24" Deep Base End Shelf



SPECIFY
RIGHT or LEFT
(left shown)
BEOS12

- 1/4" thick wood veneer side and 1/2" thick wood veneer back panel
- 3/4" thick solid wood shelves

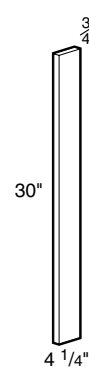
Filler Strips



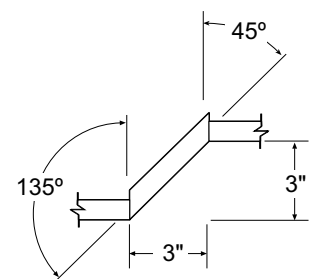
FS30
FS630

- 3/4" thick solid wood
- Face and all edges finished

Angle Fillers

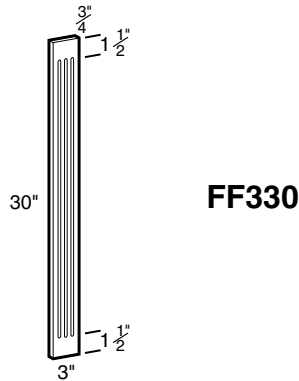


AF330



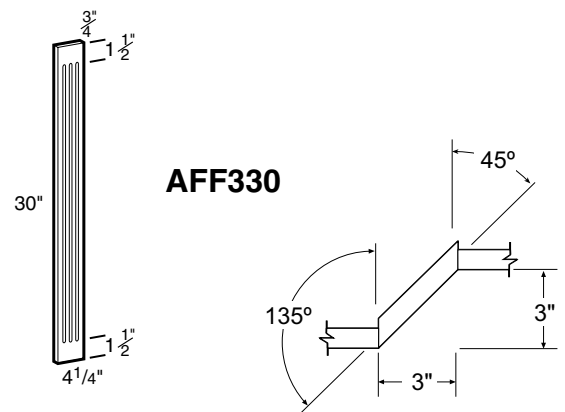
- 3/4" thick solid wood
- Face and all edges finished

Fluted Fillers



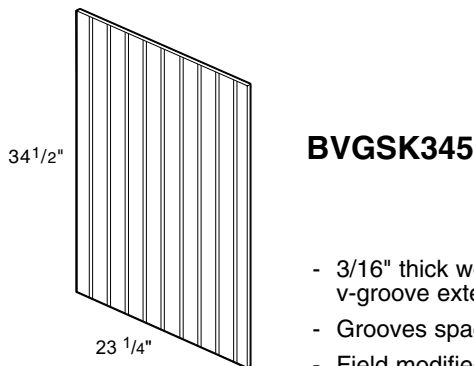
- 3/4" thick solid wood
- Face and all edges finished
- May be trimmed 1/2" each side
- Available in Standard & Full Overlay (except HAW) door styles

Angle Fluted Fillers



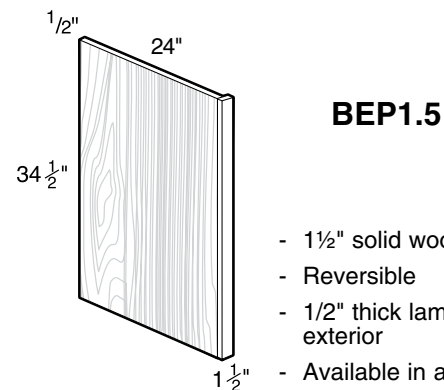
- 3/4" thick solid wood
- Face and all edges finished
- Available in Standard (except WLO & VHS) & Full Overlay (except HAW) door styles

Base V-Groove Skin



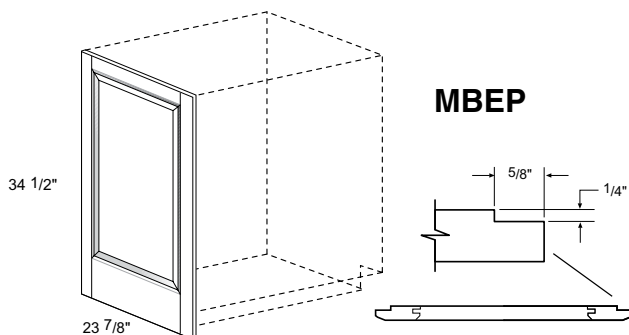
- 3/16" thick wood veneer v-groove exterior
- Grooves spaced 1/4" on center
- Field modified and installed
- Available in Standard (except WLO & VHS) & Full Overlay (except HAW) door styles

24" Deep End Panel with Filler



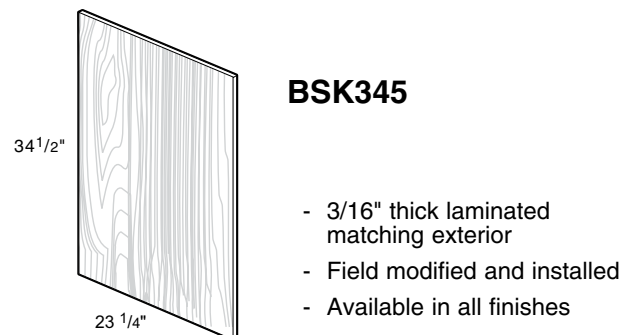
- 1/2" solid wood filler attached
- Reversible
- 1/2" thick laminated matching exterior
- Available in all finishes

Matching Base End Panel



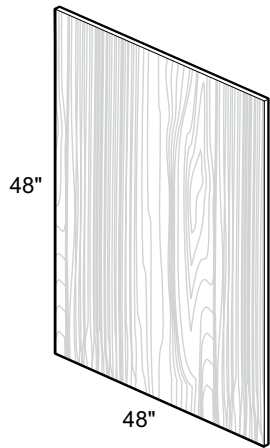
- 3/4" thick
- Field installation
- Panel is reversible & fits flush against end panel
- Available in Full Overlay door styles only
- LCB, LCN, & LTG are 2-piece construction

Base Skin



- 3/16" thick laminated matching exterior
- Field modified and installed
- Available in all finishes

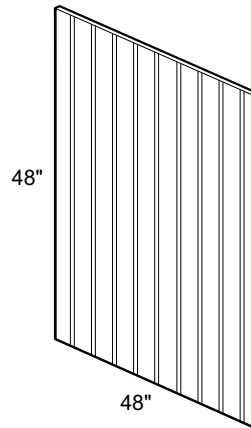
Island Skin



ISK4848

- 3/16" thick laminated matching exterior
- Field modified and installed
- Available in all finishes

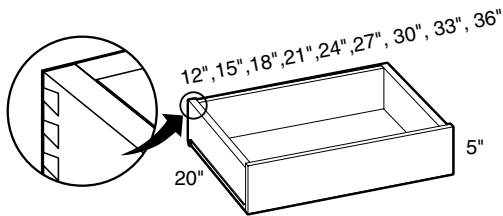
Island V-Groove Skin



IVGSK4848

- 3/16" thick wood veneer v-groove exterior
- Grooves spaced 1 1/4" on center
- Field modified and installed
- Available in Standard (except WLO & VHS) & Full Overlay (except HAW) door styles

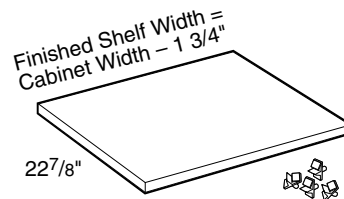
Rollout Tray Kits



- ROT12
- ROT15
- ROT18
- ROT21
- ROT24
- ROT27
- ROT30
- ROT33
- ROT36

- 5/8" solid wood dovetail construction
- Consult availability guide

Shelf Kits



- SK1224
- SK1524
- SK1824
- SK2124
- SK2424
- SK2724
- SK3024
- SK3324
- SK3624

- 3/4" thick laminated matching cabinet interior
- Edgebanded on front edge
- One shelf and four clips per kit
- Consult availability guide

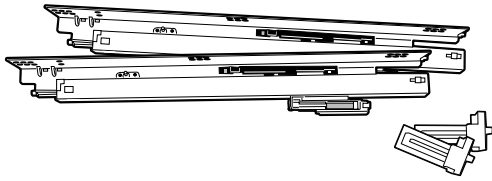
ROLL-OUT TRAY KIT AVAILABILITY GUIDE

SKU	STANDARD OVERLAY	FULL OVERLAY
	DESIGNED TO FIT	DESIGNED TO FIT
ROT12	B12, B12FH	B12, B12FH
ROT15	B15, B15FH	B15, B15FH
ROT18	B18, B18FH, U182484/96	B18, B18FH, U182484/90/96
ROT21	B21, B21FH	B21, B21FH
ROT24	B24, B24FH, SB24, U242484/96	B24, B24FH, SB24, U242484/90/96
ROT27	B27, B27FH, SB27	B27, B27FH, SB27
ROT30	N/A	B30, B30FH, SB30
ROT33	N/A	B33, B33FH, SB33
ROT36	N/A	B36, B36FH, SB36

SHELF KIT AVAILABILITY GUIDE

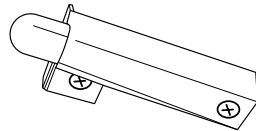
SKU	WIDTH	STANDARD & FULL OVERLAY
		DESIGNED TO FIT
SK1224	10-1/4"	B12, B12FH
SK1524	13-1/4"	B15, B15FH
SK1824	16-1/4"	B18, B18FH, U182484/96
SK2124	19-1/4"	B21, B21FH
SK2424	22-1/4"	B24, B24FH, SB24, U242484/90/96
SK2724	25-1/4"	B27, B27FH, SB27
SK3024	28-1/4"	B30, B30FH, SB30, BBCU39
SK3324	31-1/4"	B33, B33FH, SB33, OC332484U/90U/96U
SK3624	24-1/4"	B36, B36FH, SB36, BBCU42

Full Extension Drawer Runner (FX)



- Available in all Standard & Full Overlay 21" depth (except DKD30) and 24" depth cabinets with drawers
- Smooth ball bearing, 75 pound load capacity full extension concealed runner with shock that engages when drawer is 1" from closing and applies resistance for soft closing
- Not available for roll-out trays

Soft Close Door (SCD)



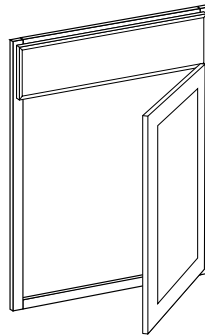
- Available in Standard & Full Overlay door styles
- Adjustable for various size doors
- Nickel plated zinc die cast construction
- Installed on hinge side of frame

Cabinet Fronts Only (CFO)

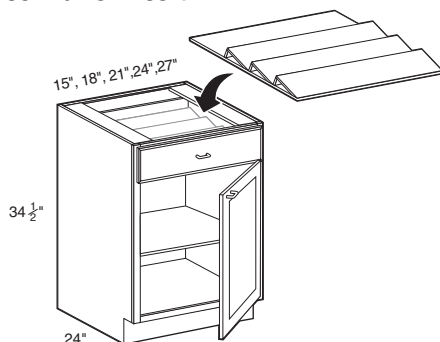
Most Base cabinets can be ordered as "Cabinet Fronts Only". Face frame, doors, drawer fronts, hinges, and bumpers will be supplied and shipped loose. In addition, plastic corner blocks will be supplied for false front installation requirements.

Please consult CFO availability guide on page 33.

Soft Close Door (SCD) option not available for CFOs.



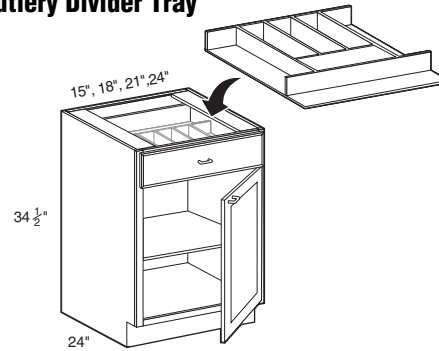
Spice Drawer Insert



SDI15
SDI18
SDI21
SDI24
SDI27

- Solid hardwood drawer insert
- Three 5" high angled tiers
- Rear 4" deep compartment
- Fits Standard & Full Overlay drawers

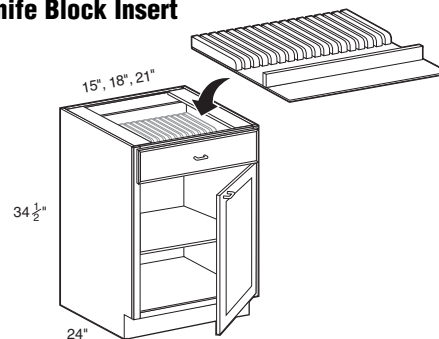
Cutlery Divider Tray



CDT15
CDT18
CDT21
CDT24

- Solid hardwood drawer insert
- One full width front utensil compartment
- CDT15 - 6 compartments 10"-14" deep (fits B15, BD15)
- CDT18 - 6 compartments 10"-14" deep (fits B18, BD18, B36)
- CDT21 - 8 compartments 10"-14" deep (fits B21)
- CDT24 - 8 compartments 10"-14" deep (fits B24, BD24)
- Fits Standard & Full Overlay drawers

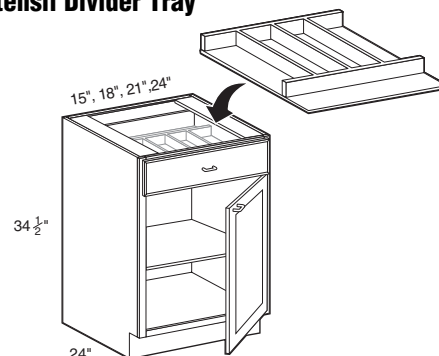
Knife Block Insert



KBI15
KBI18
KBI21

- Solid hardwood drawer insert
- One full width front utensil compartment
- KBI15 - 10 knife slots + utensil compartment (fits B15, BD15)
- KBI18 - 13 knife slots + utensil compartment (fits B18, BD18, B36)
- KBI21 - 16 knife slots + utensil compartment (fits B21)
- Fits Standard & Full Overlay drawers

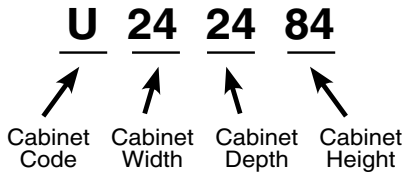
Utensil Divider Tray



UTD15
UTD18
UTD21
UTD24

- Solid hardwood drawer insert
- One full width front utensil compartment
- UTD15 - 4 additional compartments 16" deep (fits B15, BD15)
- UTD18 - 4 additional compartments 16" deep (fits B18, BD18, B36)
- UTD21 - 5 additional compartments 16" deep (fits B21)
- UTD24 - 5 additional compartments 16" deep (fits B24, BD24)
- Fits Standard & Full Overlay drawers

TALL CABINET CODING



SPECIAL NOTES:

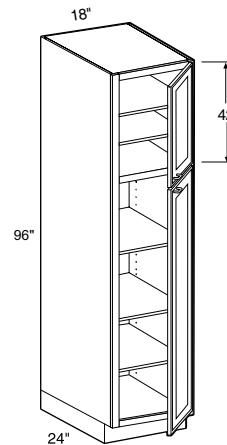
- Standard Tall Cabinets are 24" deep
- Add door thickness for total cabinet depth
- Products are available in all door styles unless stated otherwise
- Standard cabinet exterior is unfinished veneer, exposed sides require Finished Ends or Matching End Panels

24" Deep Two Door Utility



**SPECIFY
RIGHT or LEFT HINGED**

U182496



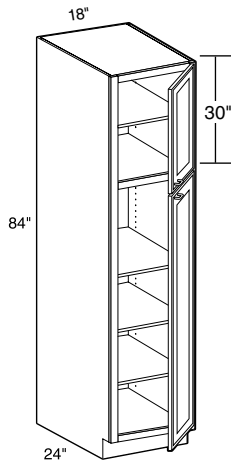
- One fixed and five adjustable shelves
- Optional rollout trays or additional shelves available
- Loose toe kick box for ease of installation
- **CUSTOM DEPTH: 9" to 23" deep**

24" Deep Two Door Utility



**SPECIFY
RIGHT or LEFT HINGED**

U182484

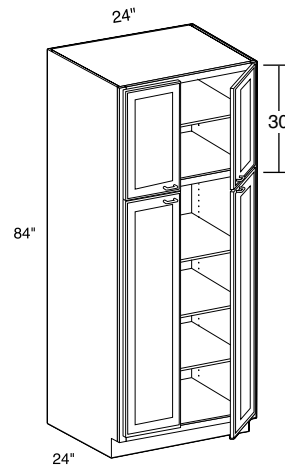


- One fixed and four adjustable shelves
- Optional rollout trays or additional shelves available
- **CUSTOM DEPTH: 9" to 23" deep**

24" Deep Four Butt Door Utility



U242484



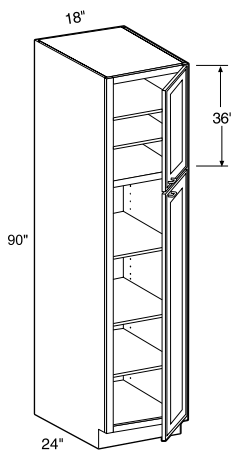
- One fixed and four adjustable shelves
- Optional rollout trays or additional shelves available
- **CUSTOM DEPTH: 9" to 23" deep**

24" Deep Two Door Utility



**SPECIFY
RIGHT or LEFT HINGED**

U182490

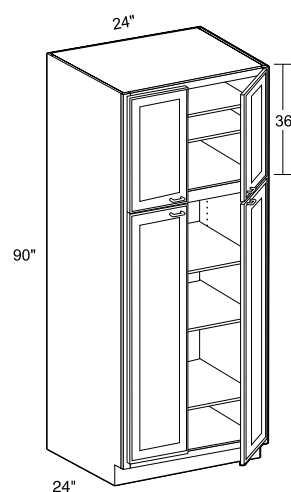


- One fixed and five adjustable shelves
- Optional rollout trays or additional shelves available
- **Available in Full Overlay door styles only**
- **CUSTOM DEPTH: 9" to 23" deep**

24" Deep Four Butt Door Utility



U242490

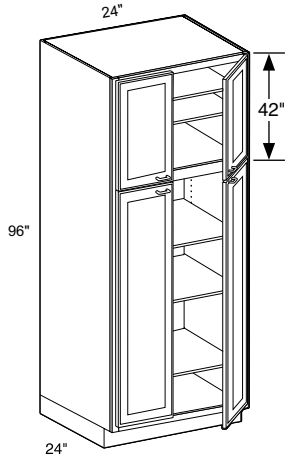


- One fixed and five adjustable shelves
- Optional rollout trays or additional shelves available
- **Available in Full Overlay door styles only**
- **CUSTOM DEPTH: 9" to 23" deep**

24" Deep Four Butt Door Utility



U242496



- One fixed and five adjustable shelves
- Optional rollout trays or additional shelves available
- Loose toe kick box for ease of installation
- **CUSTOM DEPTH: 9" to 23" deep**

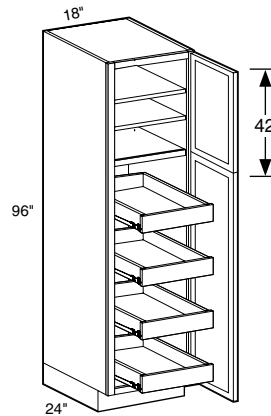
24" Deep Two Door Utility with Four Rollout Trays



U182496-4T

SPECIFY RIGHT or LEFT HINGED

Exposed sides require TSK96

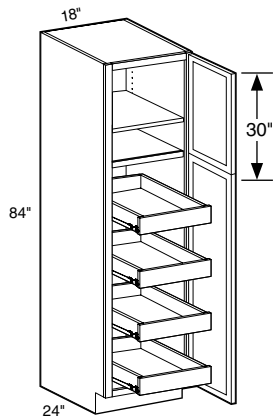


- Four adjustable, full width rollout trays
- Two adjustable shelves
- Loose toe kick box for ease of installation

24" Deep Two Door Utility with Four Rollout Trays

SPECIFY RIGHT or LEFT HINGED

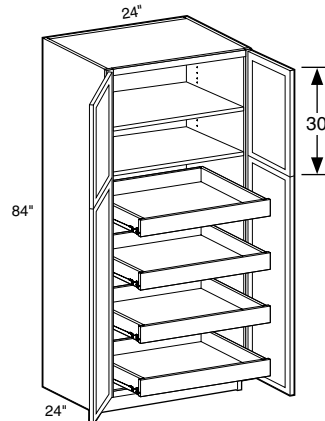
U182484-4T



- Four adjustable, full width rollout trays
- One adjustable shelf

24" Deep Four Butt Door Utility with Four Rollout Trays

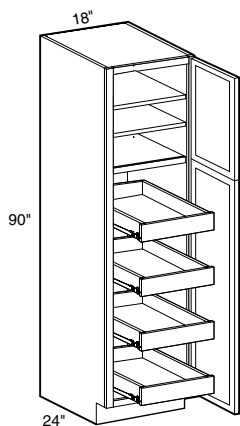
U242484-4T



- Four adjustable, full width rollout trays
- One adjustable shelf

24" Deep Two Door Utility with Four Rollout Trays

SPECIFY R or L
U182490-4T

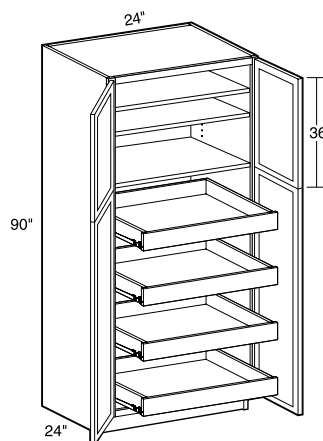


- Four adjustable, full width rollout trays
- Two adjustable shelves
- **Available in Full Overlay door styles only**

24" Deep Four Butt Door Utility with Four Rollout Trays

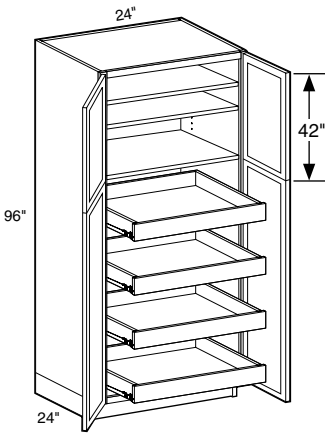
U242490-4T

Exposed sides require TSK96



- Four adjustable, full width rollout trays
- Two adjustable shelves
- **Available in Full Overlay door styles only**

24" Deep Four Butt Door Utility with Four Rollout Trays

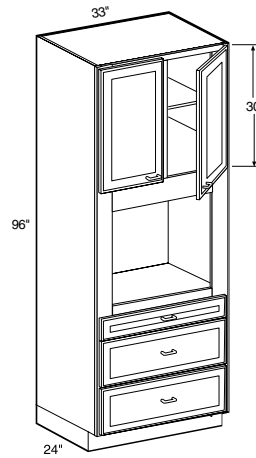


U242496-4T

Exposed sides require TSK96

- Four adjustable, full width rollout trays
- Two adjustable shelves
- Loose toe kick box for ease of installation

24" Deep Universal Oven

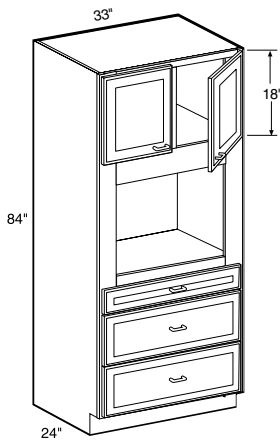


OC332496U

- Consult chart for oven cutout dimensions
- One adjustable shelf
- 3 field removable drawers
- 3" stiles in oven compartment
- Loose toe kick box for ease of installation

CABINET	MIN. WIDTH	MAX WIDTH	MIN. HEIGHT	MAX HEIGHT
OC332496U	27"	31"	22"	60"

24" Deep Universal Oven

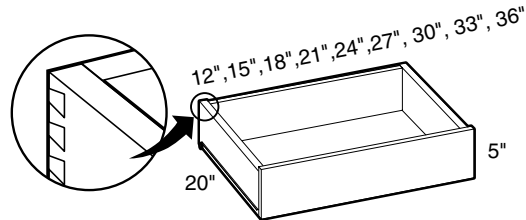


OC332484U

- Consult chart for oven cutout dimensions
- No shelf
- 3 field removable drawers
- 3" stiles in oven compartment

CABINET	MIN. WIDTH	MAX WIDTH	MIN. HEIGHT	MAX HEIGHT
OC332484U	27"	31"	22"	60"

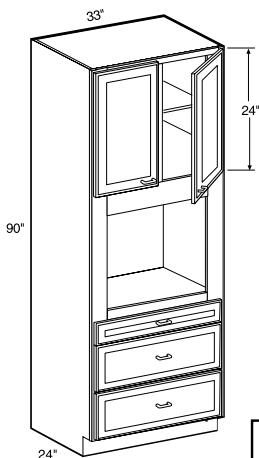
Rollout Tray Kits



- ROT12
- ROT15
- ROT18
- ROT21
- ROT24
- ROT27
- ROT30
- ROT33
- ROT36

- 5/8" solid wood dovetail construction
- Consult availability guide

24" Deep Universal Oven



OC332490U

- Consult chart for oven cutout dimensions
- One adjustable shelf
- 3 field removable drawers
- 3" stiles in oven compartment
- Available in Full Overlay door styles only

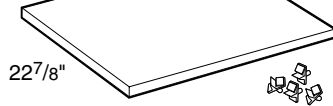
CABINET	MIN. WIDTH	MAX WIDTH	MIN. HEIGHT	MAX HEIGHT
OC332490U	27"	31"	22"	60"

ROLL-OUT TRAY KIT AVAILABILITY GUIDE

SKU	STANDARD OVERLAY	FULL OVERLAY
	DESIGNED TO FIT	DESIGNED TO FIT
ROT12	B12, B12FH	B12, B12FH
ROT15	B15, B15FH	B15, B15FH
ROT18	B18, B18FH, U182484/96	B18, B18FH, U182484/90/96
ROT21	B21, B21FH	B21, B21FH
ROT24	B24, B24FH, SB24, U242484/96	B24, B24FH, SB24, U242484/90/96
ROT27	B27, B27FH, SB27	B27, B27FH, SB27
ROT30	N/A	B30, B30FH, SB30
ROT33	N/A	B33, B33FH, SB33
ROT36	N/A	B36, B36FH, SB36

Shelf Kits

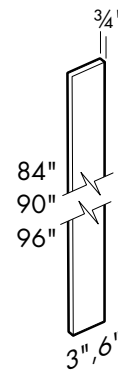
Finished Shelf Width =
Cabinet Width - 1 3/4"



SK1824
SK2424
SK3324

- 3/4" thick laminated matching cabinet interior
- Edgebanded on front edge
- One shelf and four clips per kit

Tall Filler Strips

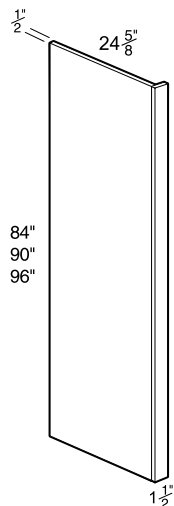


FS84
FS90
FS96
FS696

- 3/4" thick solid wood
- Face and all edges finished
- FS84, FS96 & FS696 available in Standard & Full overlay door styles
- FS90 available in Full overlay door styles only

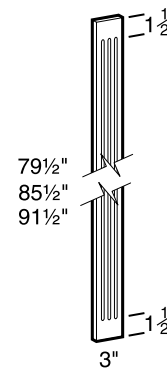
24" Deep Refrigerator Panel with 1 1/2" Filler

- 1 1/2" wide filler included
- Reversible, may be installed left or right
- 1/2" thick laminated matching exterior/interior
- Panel may be scribed up to 5/8"
- RP84 & RP96 available in Standard & Full overlay door styles
- RP90 available in Full overlay door styles only



RP84
RP90
RP96

Fluted Fillers

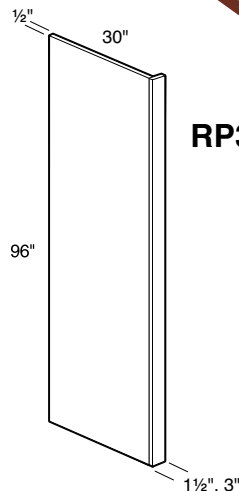


FF79
FF85
FF91

- 3/4" thick solid wood
- Face and all edges finished
- FF79 & FF91 available in Standard & Full overlay (except HAW) door styles
- FF85 available in Full overlay (except HAW) door styles only

30" Deep Universal Refrigerator Panel with 2 Fillers

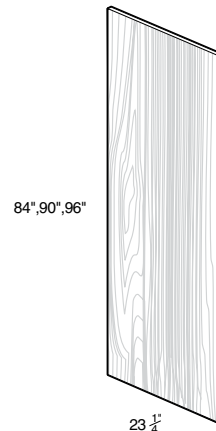
- 1 1/2" and 3" wide fillers included
- Panel and Fillers supplied loose for field assembly
- Reversible, may be installed left or right
- Trimmable for 84" and 90" applications
- 1/2" thick matching veneer or vinyl exterior/interior
- Panel may be scribed



RP3096

NEW

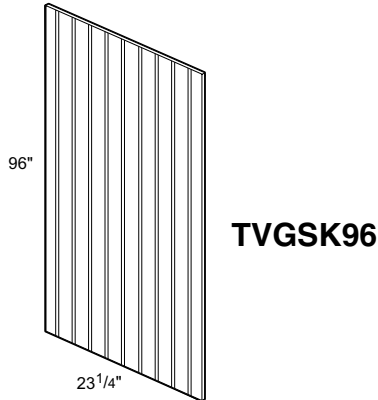
Tall Skin



TSK84
TSK90
TSK96

- 3/16" thick laminated matching exterior
- Field modified and installed
- Available in all finishes

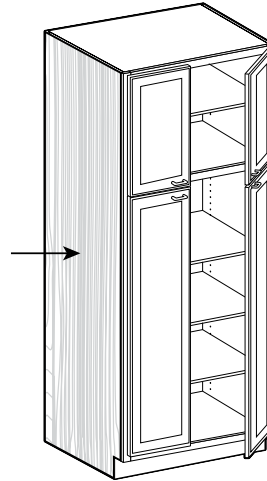
Tall V-Groove Skin



TVGSK96

- 3/16" thick wood veneer v-groove exterior
- Grooves spaced 1 1/4" on center
- Field modified and installed
- Available in Standard (except WLO & VHS) & Full Overlay (except HAW) door styles

Factory Finished End Panels

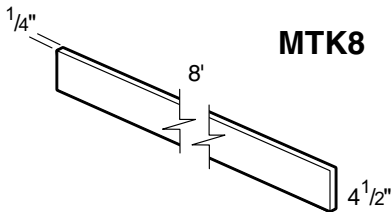


TSK84 L or R

TSK90 L or R

- Matching exterior print finish
- Factory installed
- Specify Applied Left or Applied Right
- Available in all finishes

Matching Toe Kick 8'



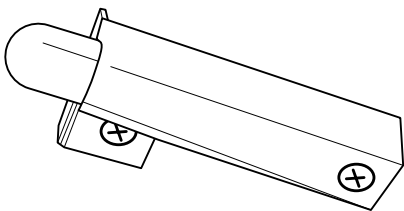
MTK8

- 1/4" thick wood veneer or white vinyl
- Available in all finishes

Design Tips:

- Do design with 21" deep vanity linen cabinets where a reduced depth improves access and traffic flow.
- Do design with refrigerator end panels when installing 24" deep wall cabinets over refrigerator to provide necessary cabinet support and create a true built-in look.
- Do design with roll-out trays for increased accessibility and maximum storage.
- Do design and consult appliance manufacturer's cut-out requirements when specifying the universal oven cabinet and advise customer to follow the manufacturer's recommend installation procedures.
- Do design tall skins on exposed cabinet ends to create flush, surface to butt wall cabinets against, and for installation ease of top molding.

Soft Close Door Upgrade (SCD)



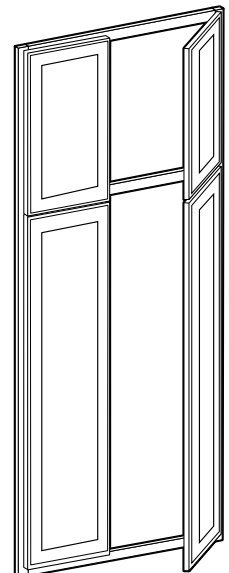
- Available in Standard & Full Overlay door styles
- Adjustable for various size doors
- Nickel plated zinc die cast construction
- Installed on hinge side of frame

Cabinet Fronts Only (CFO)

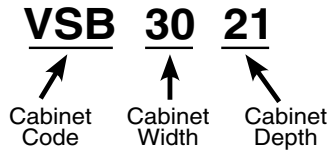
Most Tall cabinets can be ordered as "Cabinet Fronts Only". Face frame, doors, hinges and bumpers will be supplied and shipped loose.

Please consult CFO availability guide on page 33.

Soft Close Door (SCD) option not available for CFOs.



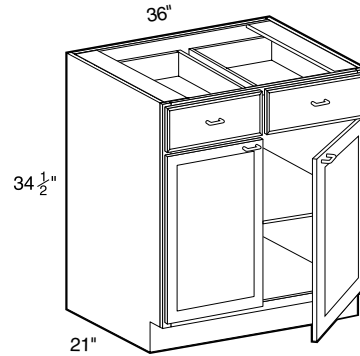
VANITY CABINET CODING



SPECIAL NOTES:

- Standard Vanity Base Cabinets are 21" deep and 34½" high
- Add door thickness for total cabinet depth
- Products are available in all door styles unless stated otherwise
- Standard cabinet exterior is unfinished veneer, exposed sides require Finished Ends or Matching End Panels
- Specification drawings depict Full Overlay products. Standard Overlay styles feature a center stile in cabinets 30" and wider.

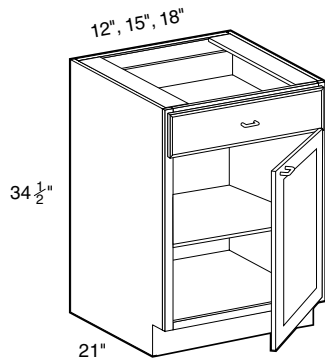
21" Deep Double Door



VB3621

- One adjustable shelf

21" Deep Single Door



**SPECIFY
RIGHT or LEFT HINGED**

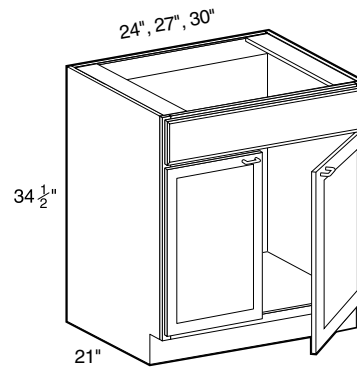
VB1221

VB1521

VB1821

- One standard drawer
- One adjustable shelf

21" Deep Double Door



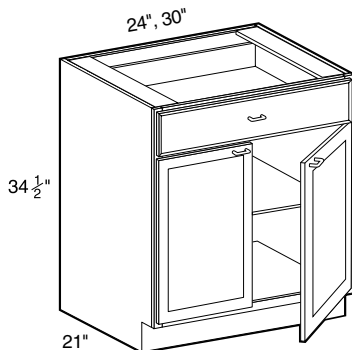
VSB2421

VSB2721

VSB3021

- No shelf, false drawer front

21" Deep Double Door

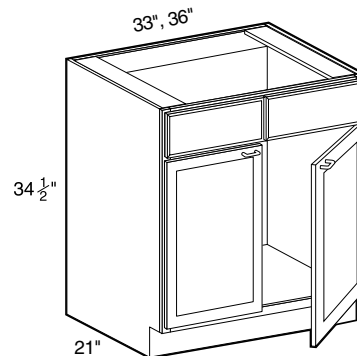


VB2421

VB3021

- One adjustable shelf

21" Deep Double Door

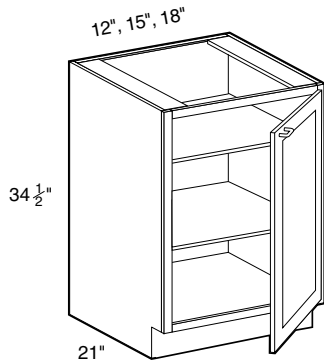


VSB3321

VSB3621

- No shelf, two false fronts

21" Deep Single Full Height Door

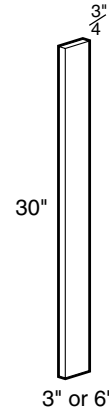


- Two adjustable shelves

SPECIFY
RIGHT or LEFT HINGED

VB1221FH
VB1521FH
VB1821FH

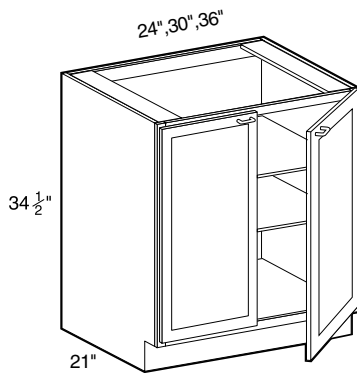
Filler Strips



FS30
FS630

- 3/4" thick solid wood
- Face and all edges finished
- Available in all finishes

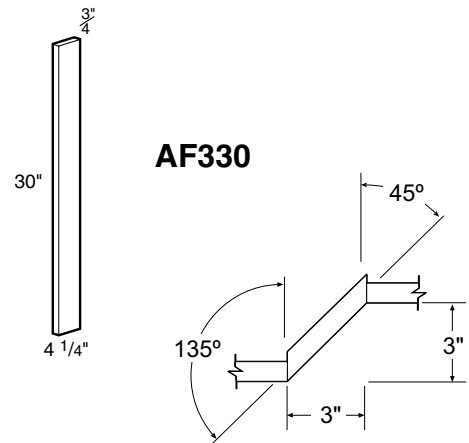
21" Deep Double Full Height Door



- Two adjustable shelves

VB2421FH
VB3021FH
VB3621FH

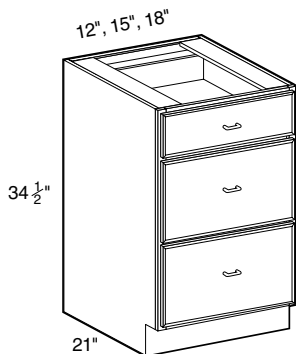
Angle Fillers



AF330

- 3/4" thick solid wood
- Face and all edges finished
- Available in all finishes

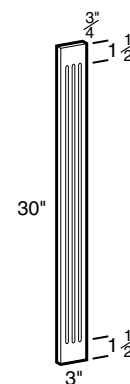
21" Deep Base Drawer



- One standard drawer
- Two deep drawers

VBD1221
VBD1521
VBD1821

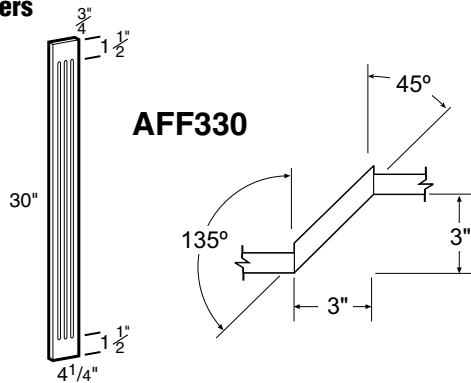
Fluted Fillers



FF330

- 3/4" thick solid wood
- Face and all edges finished
- May be trimmed 1/2" each side
- Available in Standard & Full Overlay (except HAW) door styles

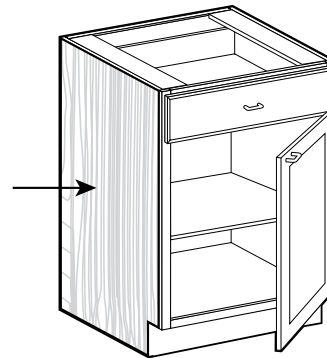
Angle Fluted Fillers



AFF330

- 3/4" thick solid wood
- Face and all edges finished
- Available in Standard (except WLO & VHS) & Full Overlay (except HAW) door styles

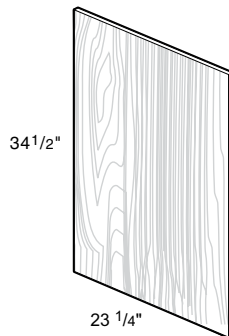
Factory Finished End Panels



VBSK345 L or R

- Matching exterior print finish
- Factory installed
- Specify Applied Left or Applied Right
- Available in all finishes

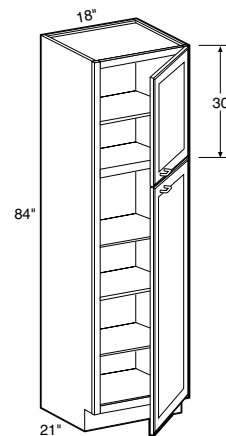
Base Skin



BSK345

- 3/16" thick laminated matching exterior
- Field cut to 20 1/4" depth
- Available in all finishes

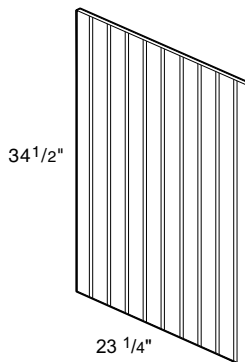
21" Deep Two Door Liner



**SPECIFY
RIGHT or LEFT HINGED
VLC182184**

- One fixed and four adjustable shelves

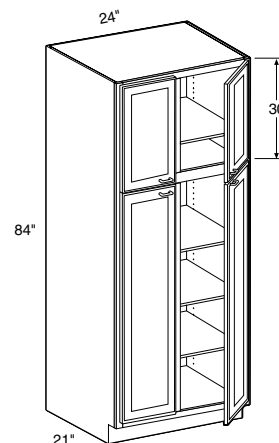
Base V-Groove Skin



BVGSK345

- 3/16" thick wood veneer v-groove exterior
- Grooves spaced 1 1/4" on center
- Field cut to 20 1/4" depth
- Available in Standard (except WLO & VHS) & Full Overlay (except HAW) door styles

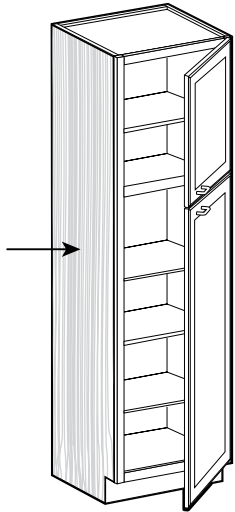
21" Deep Four Door Liner



VLC242184

- One fixed and four adjustable shelves

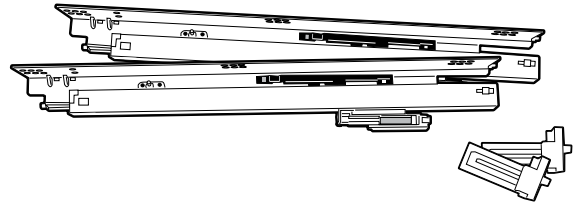
Factory Finished End Panels



VTSK84 L or R

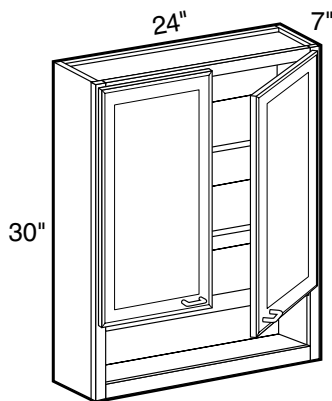
- Matching exterior print finish
- Factory installed
- Specify Applied Left or Applied Right
- Available in all finishes

Full Extension Drawer Runner (FX)



- Available in all Standard & Full Overlay 21" depth (except DKD30) and 24" depth cabinets with drawers
- Smooth ball bearing, 75 pound load capacity full extension concealed runner with shock that engages when drawer is 1" from closing and applies resistance for soft closing
- Not available for roll-out trays

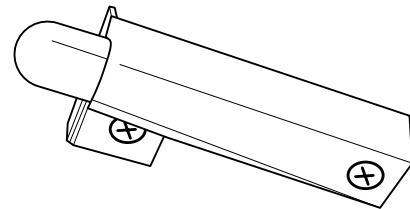
30" High Double Door



VWB2430

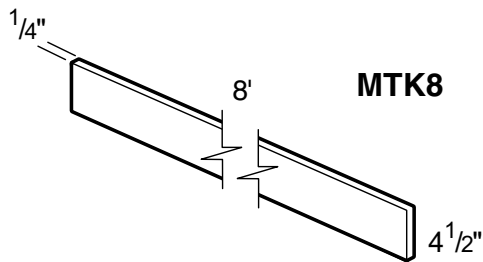
- Two adjustable shelves
- Matching interior and exterior standard

Soft Close Door (SCD)



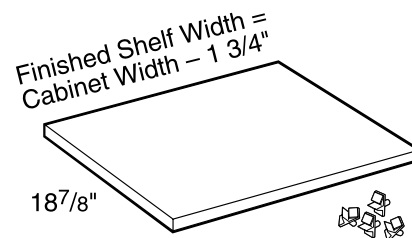
- Available in Standard & Full Overlay door styles
- Adjustable for various size doors
- Nickel plated zinc die cast construction
- Installed on hinge side of frame

Matching Toe Kick 8'



- 1/4" thick wood veneer or white vinyl
- Available in all finishes

Vanity Shelf Kit



VSK1221
VSK1521
VSK1821
VSK2421

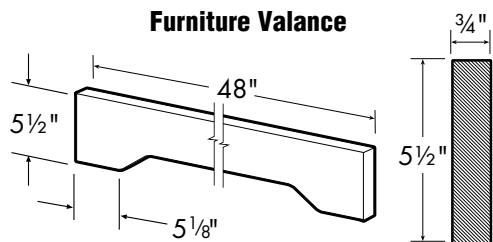
- 3/4" thick laminated matching cabinet interior
- Edgebanded on front edge

Cabinet Fronts Only - Availability Guide

CABINET FRONT ONLY FOR	SKU	STANDARD OVERLAY			FULL OVERLAY		
		WLO	VHS WCN	HCG	HAW HBG	HCN KCB FMG NPW	LCN LTG LCB RMG
W0930	CFOW0930	X	X	X	X	X	X
W0936	CFOW0936	N/A	N/A	N/A	X	X	X
W0942	CFOW0942	X	X	X	X	X	X
W1230	CFOW1230	X	X	X	X	X	X
W1236	CFOW1236	N/A	N/A	N/A	X	X	X
W1242	CFOW1242	X	X	X	X	X	X
W1530	CFOW1530	X	X	X	X	X	X
W1536	CFOW1536	N/A	N/A	N/A	X	X	X
W1542	CFOW1542	X	X	X	X	X	X
W1830	CFOW1830	X	X	X	X	X	X
W1836	CFOW1836	N/A	N/A	N/A	X	X	X
W1842	CFOW1842	X	X	X	X	X	X
W2130	CFOW2130	X	X	X	X	X	X
W2136	CFOW2136	N/A	N/A	N/A	X	X	X
W2142	CFOW2142	X	X	X	X	X	X
W2430	CFOW2430	X	X	X	X	X	X
W2436	CFOW2436	N/A	N/A	N/A	X	X	X
W2442	CFOW2442	X	X	X	X	X	X
W2730	CFOW2730	X	X	X	X	X	X
W2736	CFOW2736	N/A	N/A	N/A	X	X	X
W2742	CFOW2742	X	X	X	X	X	X
W3012	CFOW3012	X	X	X	X	X	X
W3015	CFOW3015	X	X	X	X	X	X
W3018	CFOW3018	X	X	X	X	X	X
W3024	CFOW3024	X	X	X	X	X	X
W3030	CFOW3030	X	X	X	X	X	X
W3036	CFOW3036	N/A	N/A	N/A	X	X	X
W3042	CFOW3042	X	X	X	X	X	X
W3315	CFOW3315	X	X	X	X	X	X
W3330	CFOW3330	X	X	X	X	X	X
W3336	CFOW3336	N/A	N/A	N/A	X	X	X
W3342	CFOW3342	X	X	X	X	X	X
W3612	CFOW3612	X	X	X	X	X	X
W3615	CFOW3615	X	X	X	X	X	X
W3618	CFOW3618	X	X	X	X	X	X
W3624	CFOW3624	X	X	X	X	X	X
W3630	CFOW3630	X	X	X	X	X	X
W3636	CFOW3636	N/A	N/A	N/A	X	X	X
W3642	CFOW3642	X	X	X	X	X	X
B12	CFOB12	X	X	X	X	X	X
B15	CFOB15	X	X	X	X	X	X
B18	CFOB18	X	X	X	X	X	X
B21	CFOB21	X	X	X	X	X	X
B24	CFOB24	X	X	X	X	X	X
B27	CFOB27	X	X	X	X	X	X
B30	CFOB30	X	X	X	X	X	X
B33	CFOB33	X	X	X	X	X	X
B36	CFOB36	X	X	X	X	X	X
U1884	CFOU1884	X	X	X	X	X	X
U1890	CFOU1890	N/A	N/A	N/A	X	X	X
U1896	CFOU1896	X	X	X	X	X	X
U2484	CFOU2484	X	X	X	X	X	X
U2490	CFOU2490	N/A	N/A	N/A	X	X	X
U2496	CFOU2496	X	X	X	X	X	X

Furniture Valance

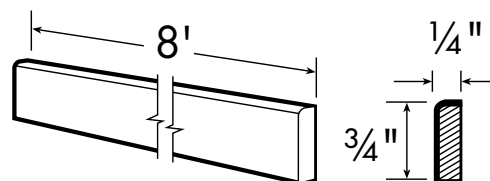
FV48



- 3/4" thick solid wood
- May be trimmed 3" on each end
- Available in Standard (except WLO & VHS) & Full Overlay door styles

Scribe Molding

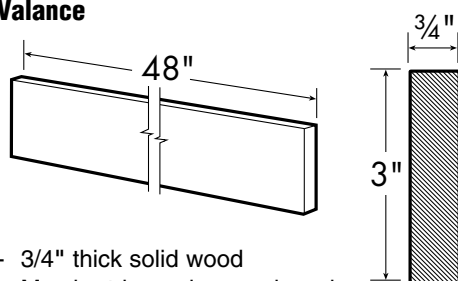
SM8



- 1/4" thick solid wood
- Available in Standard & Full Overlay door styles

Valance

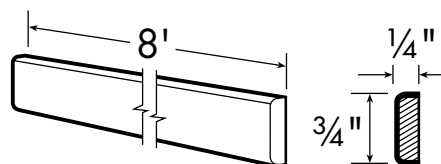
VA48



- 3/4" thick solid wood
- May be trimmed on each end
- Available in Standard & Full Overlay door styles

Batten Molding

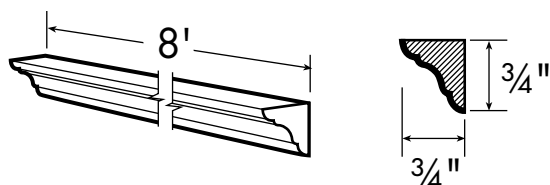
BM8



- 1/4" thick solid wood
- Available in Standard & Full Overlay door styles

Inside Corner Molding

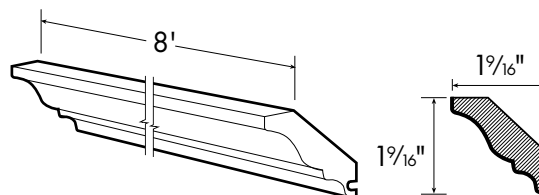
ICM8



- 3/4" thick solid wood
- Available in Standard & Full Overlay door styles

Soffit Crown Molding

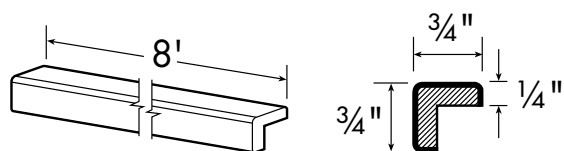
SCM8



- 3/4" thick solid wood
- Use with TMMS8 for top of cabinet installation
- Available in Standard & Full Overlay door styles

Outside Corner Molding

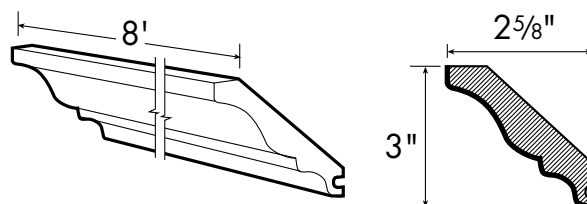
OSC8



- 3/4" thick solid wood
- Available in Standard & Full Overlay door styles

Crown Molding

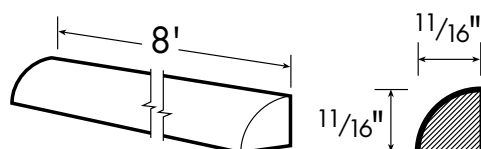
CM8



- 3/4" thick wood core, veneer wrapped
- Use with TMMS8 for top of cabinet installation
- Available in Standard & Full Overlay door styles

Quarter Round

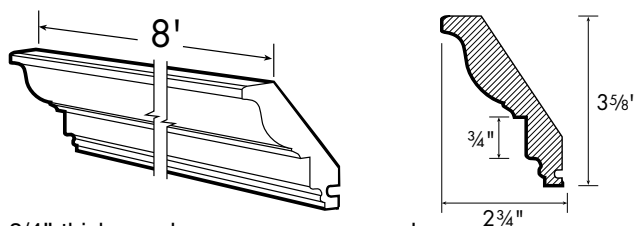
QR8



- 1 1/16" thick solid wood
- Available in Standard & Full Overlay door styles

Classic Crown Molding

CCM8

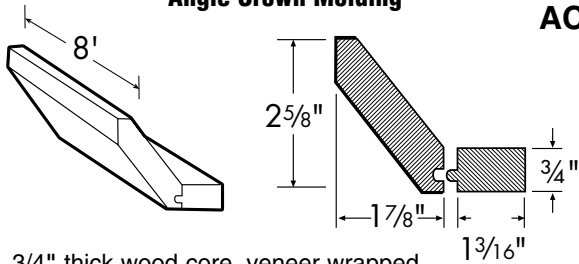


- 3/4" thick wood core, veneer wrapped
- Use with TMMS8 for top of cabinet installation
- Available in Standard (except WLO & VHS) & Full Overlay (except HAW) door styles

NOTE: Thick dark lines indicate finished edges

Angle Crown Molding

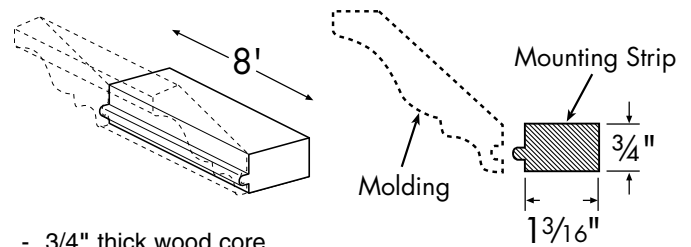
ACM8



- 3/4" thick wood core, veneer wrapped
- Use with TMMS8 for top of cabinet installation
- Available in WCN, HCN, KCB, LCN, & LCB door styles only

Top Molding Mounting Strip

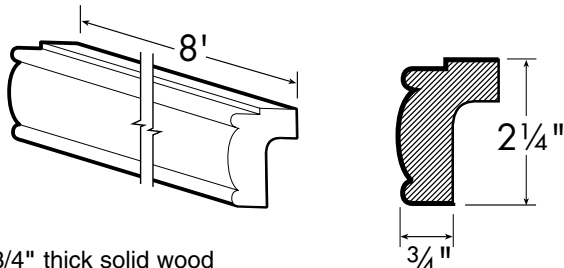
TMMS8



- 3/4" thick wood core
- Available in Standard & Full Overlay door styles

Classic Light Rail

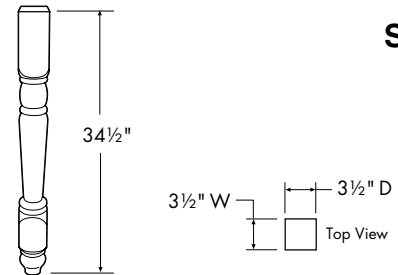
CLR8



- 3/4" thick solid wood
- Available in Standard (except WLO & VHS) & Full Overlay door styles

Spindle

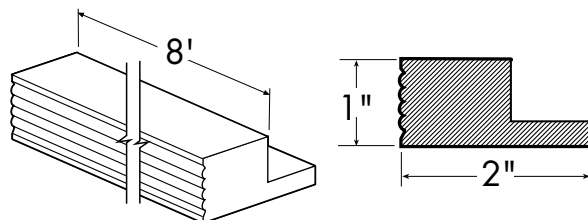
SPL



- Solid hardwood
- Available in Standard (except WLO & VHS) & Full Overlay (except HAW) door styles

Beaded Light Rail

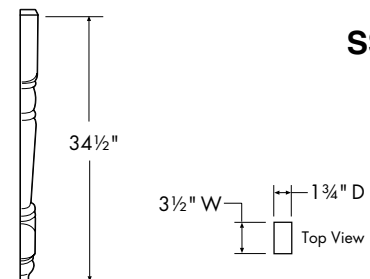
BLR8



- 3/4" thick solid wood
- Available in Standard (except WLO & VHS) & Full Overlay (except HAW) door styles

Split Spindle

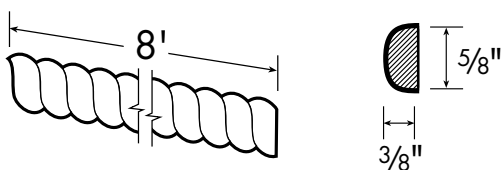
SSPL



- Solid hardwood
- Available in Standard (except WLO & VHS) & Full Overlay (except HAW) door styles

Rope Molding

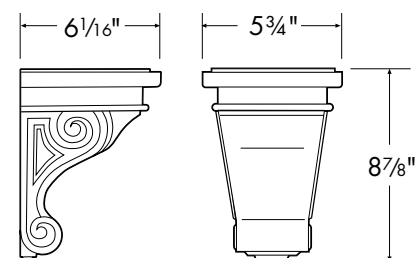
RM8



- 3/4" thick solid wood
- Available in Standard (except WLO & VHS) & Full Overlay (except HAW) door styles

Corbel

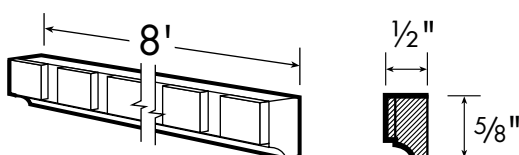
CBL



- Solid hardwood
- Available in Standard (except WLO & VHS) & Full Overlay (except HAW & NPW) door styles

Dentil Molding

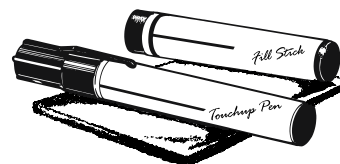
DM8



- 3/4" thick solid wood
- Available in Standard (except WLO & VHS) & Full Overlay (except HAW) door styles

Touch-Up Kit

TUK-AW
TUK-BG
TUK-CB
TUK-CG
TUK-CN
TUK-HS
TUK-LO
TUK-TG



- Includes fill stick, touch-up pen, and 4-door bumpers

NOTE: Thick dark lines indicate finished edges

Decorative Hardware

DH43-114



- Traditional pull
- Antique silver
- 3-3/4" center
- 4-1/2" outside length

DH43-628



- Backplate for DH43-632 or DH43-614
- Oiled bronze
- 3-3/4" center
- 5-1/4" outside length

DH43-826



- Elongated oval knob
- Antique pewter

DH43-124



- Octagon knob
- Antique silver
- 1-3/8" diameter

DH43-630



- Elongated oval knob
- Oiled bronze

DH43-828



- Classic pull
- Antique pewter
- 3-3/4" center
- 4-3/4" outside length

DH43-614



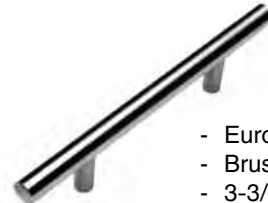
- Traditional pull
- Oiled bronze
- 3-3/4" center
- 4-1/2" outside length

DH43-632



- Classic pull
- Oiled bronze
- 3-3/4" center
- 4-3/4" outside length

DH45-100



- Euro railing pull
- Brushed nickel
- 3-3/4" center
- 7" outside length

DH43-618



- Octagon knob
- Oiled bronze
- 1-3/8" diameter

DH43-820



- Screw-head cup pull
- Antique pewter
- 2-1/2" center
- 4-1/8" outside length

DH45-102



- Euro railing pull
- Brushed nickel
- 6-15/16" center
- 10" outside length

DH43-624



- Screw-head cup pull
- Oil rubbed bronze
- 2-1/2" center
- 4-1/8" outside length

DH43-824



- Backplate for DH43-828
- Antique pewter
- 3-3/4" center
- 5-1/4" outside length

DH45-104



- Euro railing pull
- Brushed nickel
- 9-3/4" center
- 13" outside length

Decorative Hardware

DH65-120



- Birdcage pull
- Antique iron
- 3-3/4" center
- 4-1/2" outside length

DH87-112



- Ribbed bow pull
- Brushed nickel
- 3-3/4" center
- 4-3/16" outside length

DH95-104



- Square dimpled pull
- Matte nickel
- 6-5/16" center
- 7-1/2" outside length

DH65-200



- Birdcage knob
- Antique iron
- 2-1/2" diameter

DH88-104



- Arrowhead knob
- Antique pewter

DH95-144



- Square dimpled knob
- Matte nickel

DH65-402



- Birdcage pull
- Stainless steel
- 3-3/4" center
- 4" outside length

DH88-110



- Arrowhead pull
- Antique pewter
- 5" center
- 7-1/2" outside length

DH99-128



- Contemporary bow pull
- Brushed nickel
- 3-3/4" center
- 5-1/2" outside length

DH65-432



- Birdcage knob
- Stainless steel

DH93-112



- Raised mitered pull
- Antique pewter
- 5" center
- 6-3/8" outside length

DH99-188



- Round knob
- Brushed nickel
- 1-1/4" diameter

DH87-102



- Square ribbed knob
- Brushed nickel

DH93-152

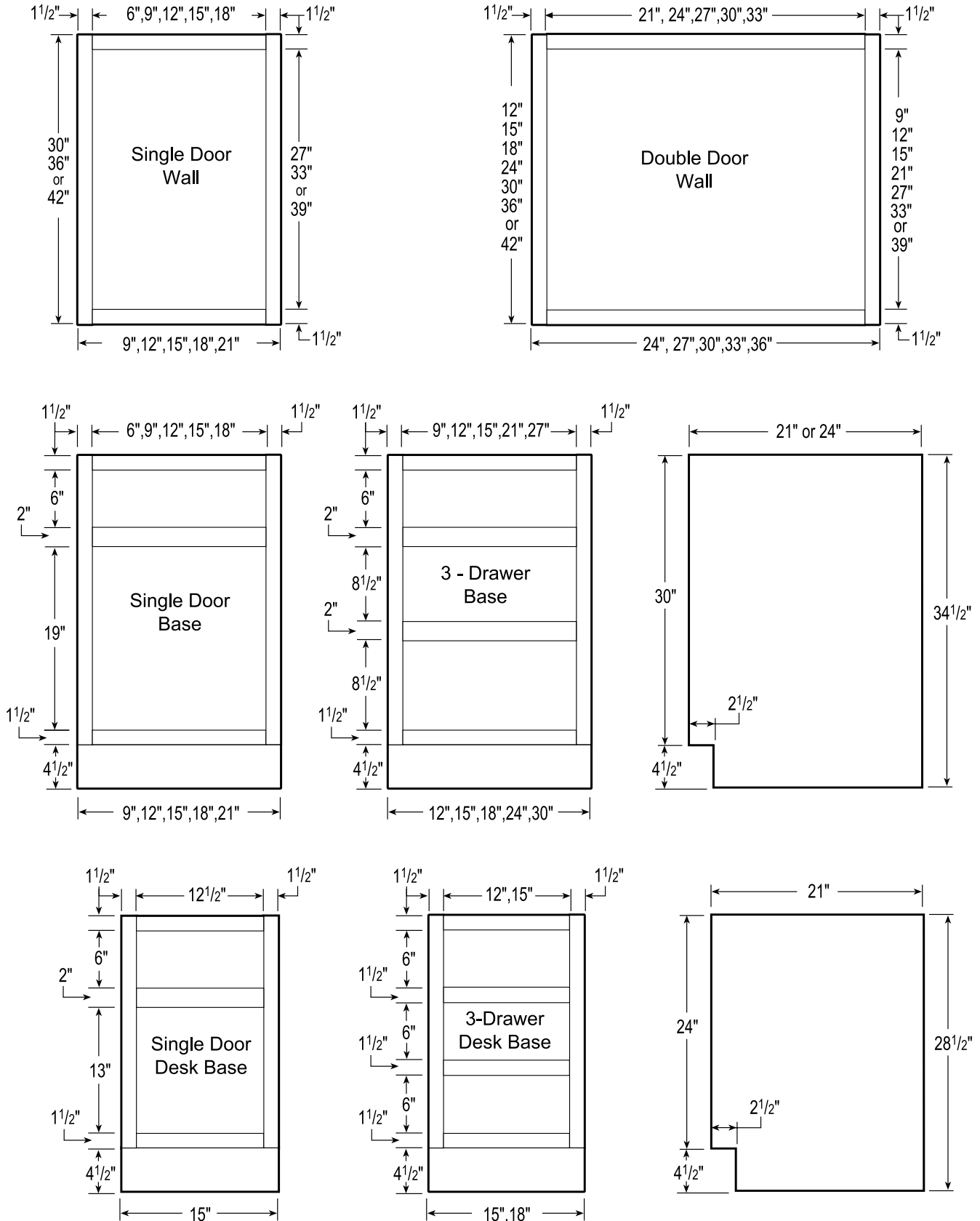


- Raised mitered knob
- Antique pewter

REMINDER:

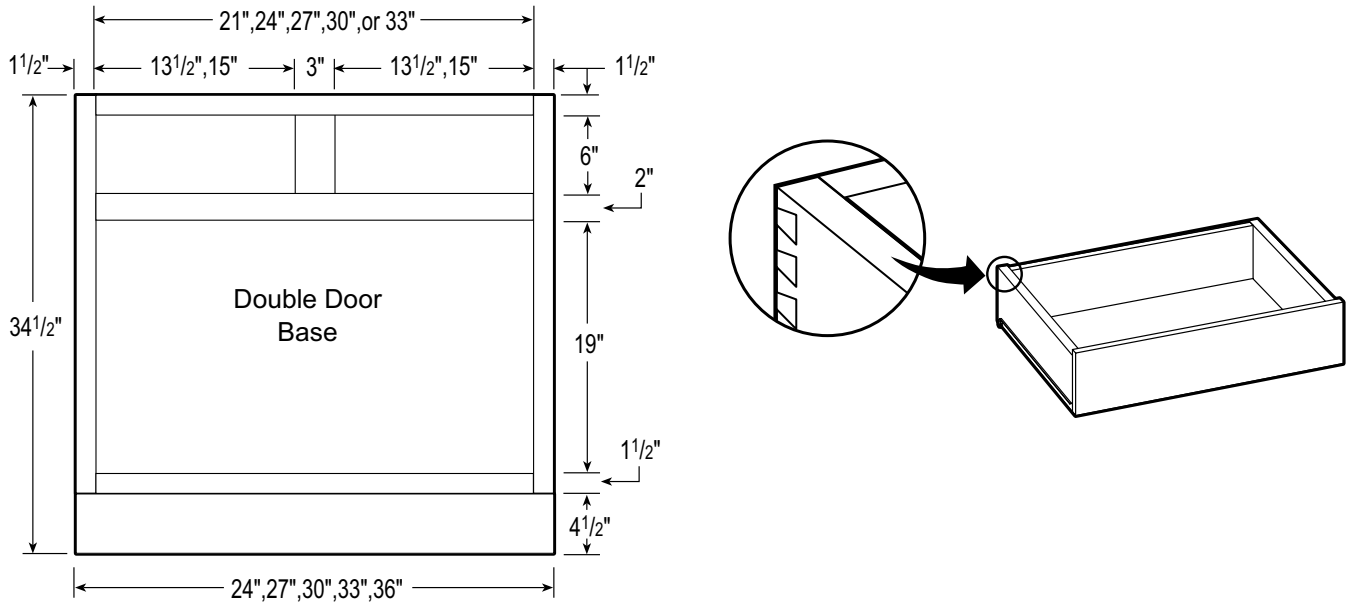
Full overlay cabinets require decorative hardware.

Cabinet Frame & Opening Dimensions



NOTE: ALL DRAWINGS DEPICT FULL OVERLAY PRODUCT. STANDARD OVERLAY WILL HAVE A 3" CENTER STILE IN ALL DOUBLE DOOR CABINETS 30" AND WIDER.

Cabinet Frame & Opening Dimensions

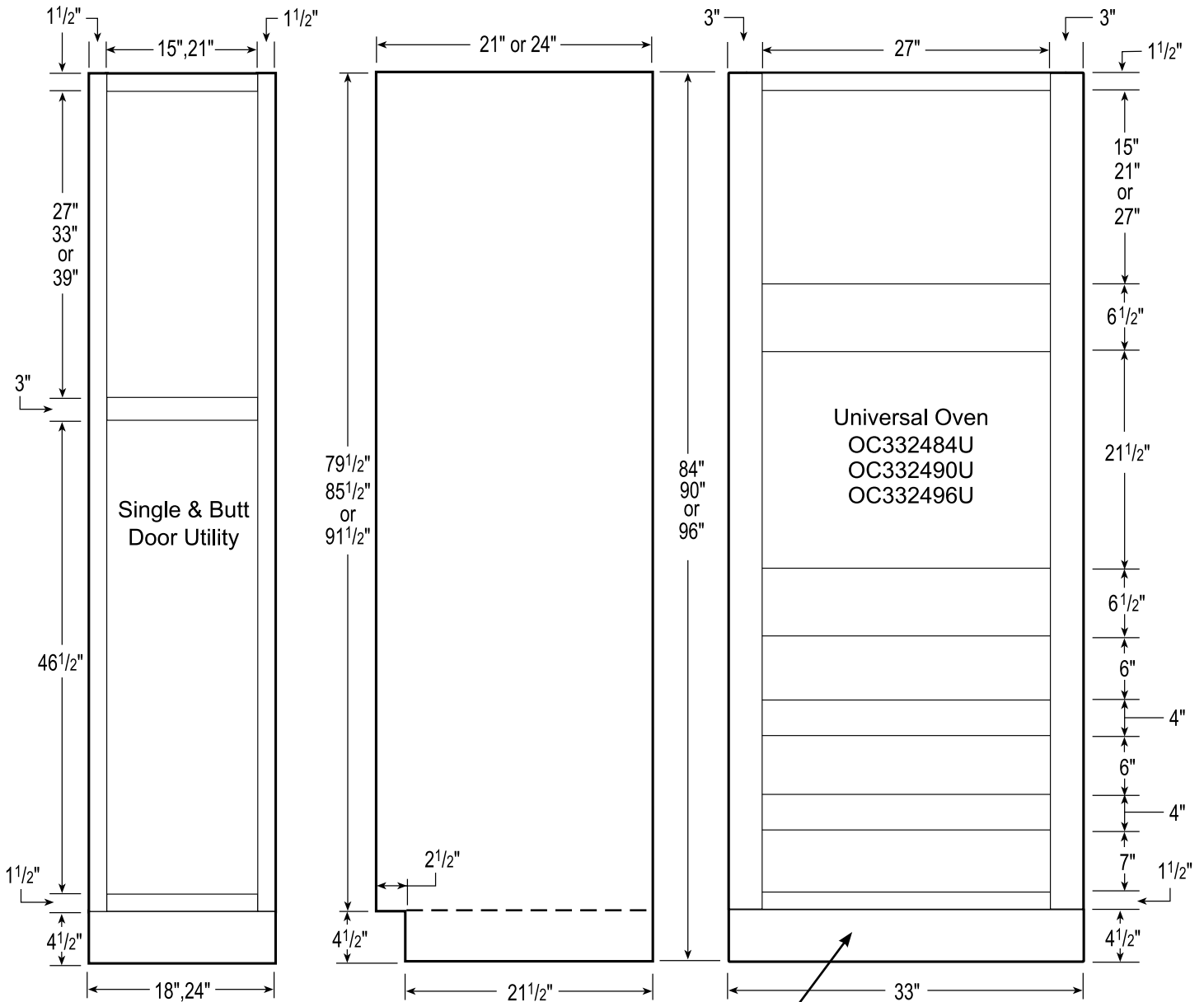


NOTE: B27, B30 have full width drawers

DRAWER BOX INSIDE DIMENSIONS						
CABINET	SHALLOW DRAWER			DEEP DRAWER		
	HEIGHT	DEPTH	WIDTH	HEIGHT	DEPTH	WIDTH
B12, BD12	4-3/8"	19-11/16"	6-7/8"	6-3/4"	19-11/16"	6-7/8"
VB1221, VBD1221	4-3/8"	16-11/16"	6-7/8"	6-3/4"	16-11/16"	6-7/8"
B15, BBCU42, BD15	4-3/8"	19-11/16"	9-7/8"	6-3/4"	19-11/16"	9-7/8"
VB1521, VBD1521	4-3/8"	16-11/16"	9-7/8"	6-3/4"	16-11/16"	9-7/8"
DDO15, DDR15	4-3/8"	19-11/16"	9-7/8"	N/A	N/A	N/A
B18, BD18	4-3/8"	19-11/16"	12-7/8"	6-3/4"	19-11/16"	12-7/8"
VB1821, VBD1821	4-3/8"	16-11/16"	12-7/8"	6-3/4"	16-11/16"	12-7/8"
B21	4-3/8"	19-11/16"	15-7/8"	N/A	N/A	N/A
B24, BD24	4-3/8"	19-11/16"	18-7/8"	6-3/4"	19-11/16"	18-7/8"
VB2421	4-3/8"	16-11/16"	18-7/8"	N/A	N/A	N/A
B27	4-3/8"	19-11/16"	21-7/8"	N/A	N/A	N/A
B30, BD30	4-3/8"	19-11/16"	24-7/8"	6-3/4"	19-11/16"	24-7/8"
VB3021	4-3/8"	16-11/16"	24-7/8"	N/A	N/A	N/A
B33	4-3/8"	19-11/16"	11-1/4"	N/A	N/A	N/A
B36	4-3/8"	19-11/16"	12-7/8"	N/A	N/A	N/A
VB3621	4-3/8"	16-11/16"	12-7/8"	N/A	N/A	N/A
OC332484U, OC332490U, OC332496U	4-3/8"	19-11/16"	24-7/8"	N/A	N/A	N/A

NOTE: ALL DRAWINGS DEPICT FULL OVERLAY PRODUCT. STANDARD OVERLAY WILL HAVE A 3" CENTER STILE IN ALL DOUBLE DOOR CABINETS 30" AND WIDER.

Cabinet Frame & Opening Dimensions



NOTE: 96" TALL CABINETS TO BE SUPPLIED WITH LOOSE TOE KICK BOX (EXPOSED SIDES REQUIRE TSK96)

