



Faircrest Cabinets



Faircrest Cabinets

Index

Cabinet Styles

Cherry With A Dark Glaze.....	6-7
Heritage White With A Dark Glaze.....	8-9
Mocha With A Dark Glaze.....	10-11
Shaker Cherry.....	12-13
Rope With A Dark Glaze.....	14-15
Hickory Cathedral.....	16-17
Legacy Oak Cathedral.....	18-19
Bristol Chocolate.....	20
York Coffee.....	21
Shaker White.....	22
Cabinet Specifications Key.....	23

Walls

Single Door Wall Cabinets (W).....	24
Double Door Wall Cabinets (W).....	24
Bridge Wall Cabinets (W).....	25
Refrigerator Wall Cabinets (WR).....	26
Blind Corner Wall Cabinets (WBC).....	27
Wall End Cabinets (WCA).....	27
Wall Diagonal Corner Cabinets (WDC).....	28
Wall Spice Cabinets (WSC).....	29
Microwave Cabinets (MW).....	30
Decorative Wall Cabinets/Stacker (WBG).....	31

Bases

Single Door/Single Drawer Base Cabinets (B).....	32
Double Door/Single Drawer Base Cabinets (B).....	32
Double Door/Double Drawer Base Cabinets (B).....	33
Drawer Base Cabinet (DB).....	33
Sink Base Cabinet (SB).....	34
45° Diagonal Corner Sink Base Cabinet (DCSB).....	35
Blind Base Corner Cabinet (BBC).....	35
Lazy Susan (LS).....	36
Corner Drawer Base (CDB).....	37
Base End Angle Cabinet (BA).....	38
Tray Base / Cookie Sheet Cabinet (TB).....	39

Talls

18" Wide Utility Cabinets (UC).....	40
24" Wide Utility Cabinets (UC).....	41
Universal Oven Cabinets (UOC).....	42

Accessories

Lattice Wine Rack (LWR).....	43
Stem Glass Holder (SGH).....	43
Corbels (CBLPN).....	44
Plate Rack (PR).....	44
Roll Out Trays (ROT).....	46
Appliance Garage (AG).....	46
Arched Valance (VA).....	47
Under Counter / Knee Drawers (UCD).....	47
Mullion Doors (MD).....	48
Range Hood Fronts (RHF).....	49

Panels, Fillers & Trim

Wall Fillers (WF).....	50
Base Fillers (BF).....	50
Refrigerator End Panel (REP).....	51
Base End Panel (BEP).....	51
Wall End Panel (WEP).....	51
Decorative Panel (DP).....	52
Crown Molding (LCM).....	53
Rope Insert (ROPE).....	54
Scribe Molding (SM).....	54
Outside Corner Molding (OC).....	55
Batten Molding (BM).....	55
Light Rail Molding (LRM).....	55
Stained Plywood (SPW).....	56
Wall Skin (WS).....	56
Toe Kick (TK).....	57
Island Panel (IS).....	57
Fluted Wall Fillers (WFF).....	57
Fluted Base Fillers (BFF) (TFF).....	57

Vanities

Vanity Sink Base (V).....	58
Vanity Drawer Base (VDB).....	59
Vanity Combinations (VD).....	60
Vanity Combinations Continued (VDD).....	61



Faircrest Cabinets

Premium Quality Cabinets

Offering 10 fine styles in an impeccable 3 working day turn around time from our fully stocked 400,000 square foot warehouse.

STANDARD SPECIAL FEATURES AT NO COST TO YOU!

- Solid hardwood doors and face frames.
- Cabinet boxes are ½” plywood construction including sides, tops, and bottoms for lasting durability and strength.
- Cabinet boxes and shelves are match stained and finished inside and out.
- ¾” Plywood shelves are standard in all cabinets.
- No particle board in any Faircrest cabinet line.
- 120 lb roller bearing side mount drawer glides on Heritage White, Rope, Hickory, and Legacy Oak.
- Soft close under mount drawer glides are standard on Glazed Cherry, Shaker Cherry, Mocha, York Coffee, Bristol Chocolate, and Shaker White.
- Soft close door hinges are standard on York Coffee, Bristol Chocolate, and Shaker White.
- York Coffee, Bristol Chocolate, and Shaker White are full overlay cabinet lines.
- Butt-style doors eliminate the center stile between the doors and allow for easier use of the cabinet.
- Stainless steel baskets are standard in all lazy susan cabinets.



European concealed hinges on all cabinets are fully adjustable.



Full extension hardware, standard on all Faircrest cabinets allowing for drawers to open past the back edge for easy access.



¾” Hardwood dovetail drawer boxes with ½” bottoms standard on all cabinets.

5 Year Limited Warranty

Clark and Son Inc. warrants to the original consumer purchaser that Faircrest Cabinets cabinetry, door hinges, and drawer glides will be free from defects in material and workmanship under normal use and service for a period of Five (5) years from purchase date (Proof of Purchase is required). This warranty is not transferable and only applicable to product used for residential purposes. Representatives of Faircrest Cabinets do not have the authority to change or enlarge this warranty.

This warranty does not cover normal wear and tear, damage or defects caused by accidents, misuse, abuse, or lack of necessary maintenance; nor does it cover alteration, modification, improper installation, improper handling / storage, environmental conditions, nor any labor expenses.

Clark and Son Inc., at our option, may elect to repair or replace with a functionally equivalent product any Faircrest product covered by this warranty. Some replacement parts are subject to availability and may differ from original parts received. Return of defective product may be required for a replacement to be issued. Repair parts or replacement parts are at the expense of Clark and Son Inc., but customer shall bear all other expenses. These expenses may include, but are not limited to, cost of removal and re-installation of product, labor expenses, etc.

Just as no two trees are alike, no two pieces of wood are alike. The variation in color and grain pattern in wood adds to its natural beauty and is not considered an imperfection. Environmental factors, including but not limited to artificial / natural light, moisture, cleaners, smoke, etc, may cause the darkening or mellowing of a cabinet over time. This is a natural process and can be expected. This warranty does not cover the natural aging or darkening / mellowing of wood color, the inherent growth characteristics of, or variation in wood.

Some of the cabinet lines feature a glazed finish which accentuates the door and drawer front profiles. This glaze is hand applied over a stain or paint and may, due to the nature of application, consist of random drips, runs, etc. As glazing is a hand applied process, there will be variations in color and appearance from door to door and cabinet to cabinet. This is not considered a defect and is considered normal with hand applied finishes.

It is the nature of wood to expand and contract to varying degrees depending on climate conditions. As a result, cabinet lines with painted surfaces may show fractures in the paint at joints. This is normal and is not considered a defect.

This warranty is valid only in the United States of America and is not transferable. All implied warranties are limited in duration to the shorter of the period provided by law or the period of this warranty. To the extent permitted by law, this warranty excludes special, incidental, or consequential damages. Some states do not allow the exclusion or limitations of incidental or consequential damages or limitations on how long an implied warranty lasts, so the above limitations or exclusions may not apply to you. This warranty gives you specific legal rights; you may have other rights which vary from state to state.

To exercise this warranty, please contact Debra@extremekitchen.net from whom you purchased the product. Report, in writing, all defects claimed and include proof of purchase documentation. If the supplier is not available please write to: Warranty Department, Clark and Son Inc., 10233 Sandyville Ave SE, East Sparta, Ohio 44626 or call 330-866-9330.

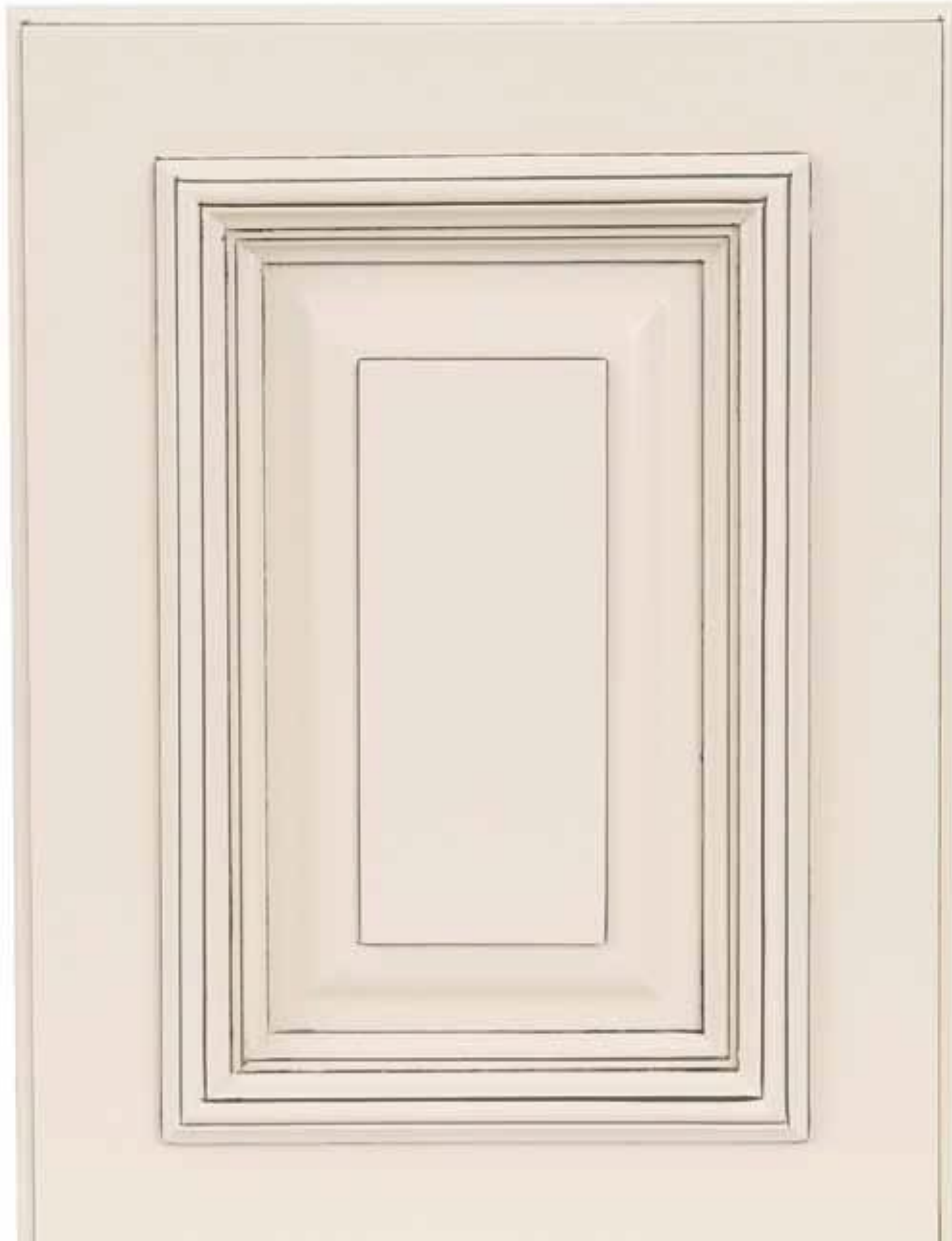


Cherry With A Dark Glaze



Cherry With A Dark Glaze





Heritage White With A Dark Glaze



Heritage White With A Dark Glaze

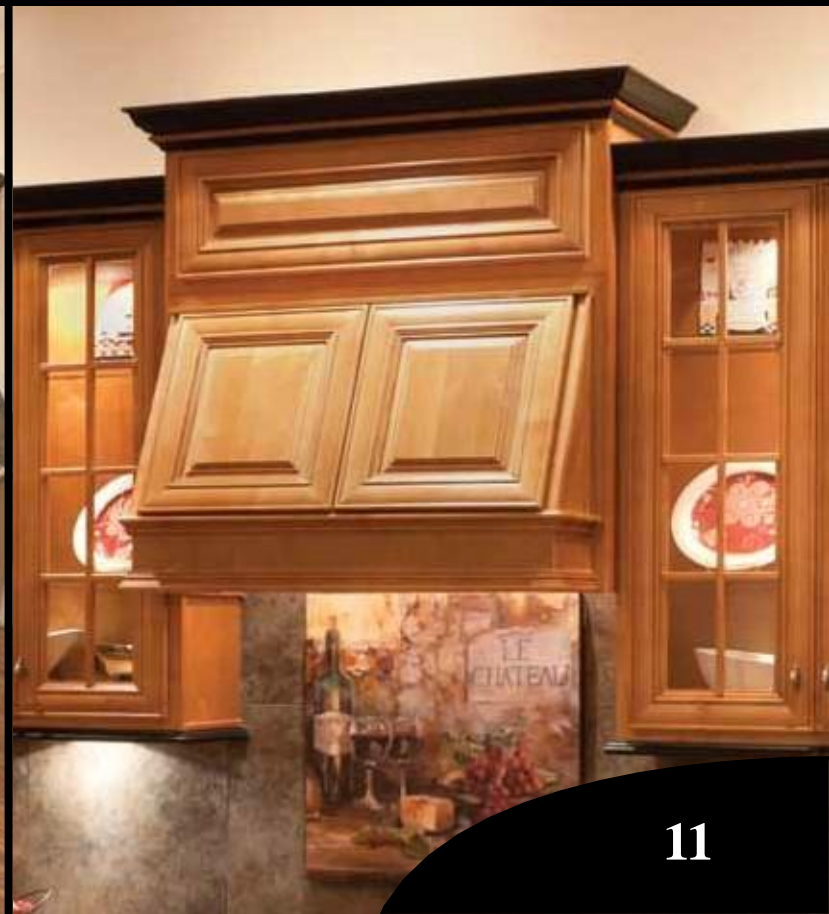


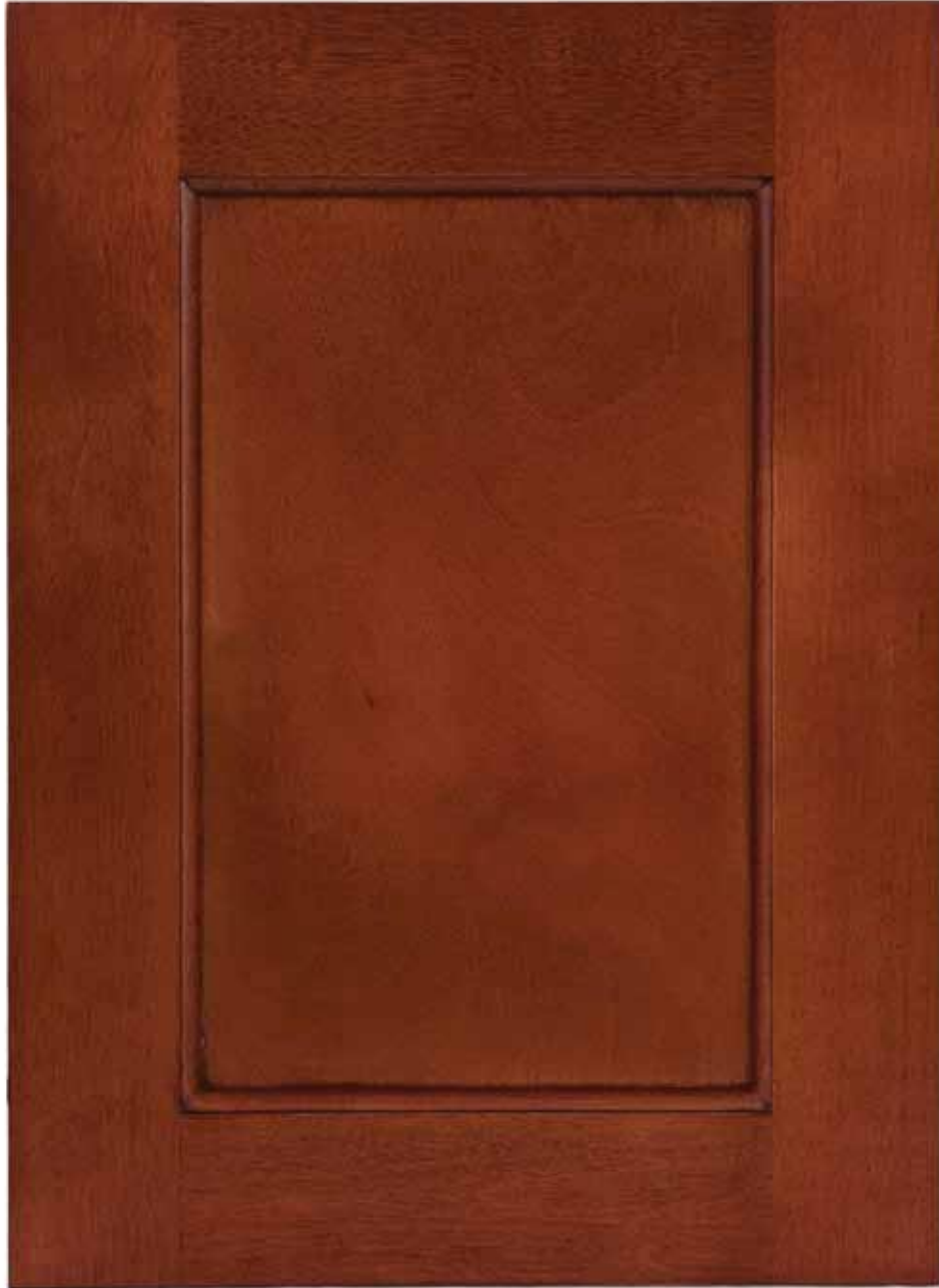


Mocha With A Dark Glaze



Mocha With A Dark Glaze





Shaker Cherry



Shaker Cherry





Rope With A Dark Glaze



Rope With A Dark Glaze

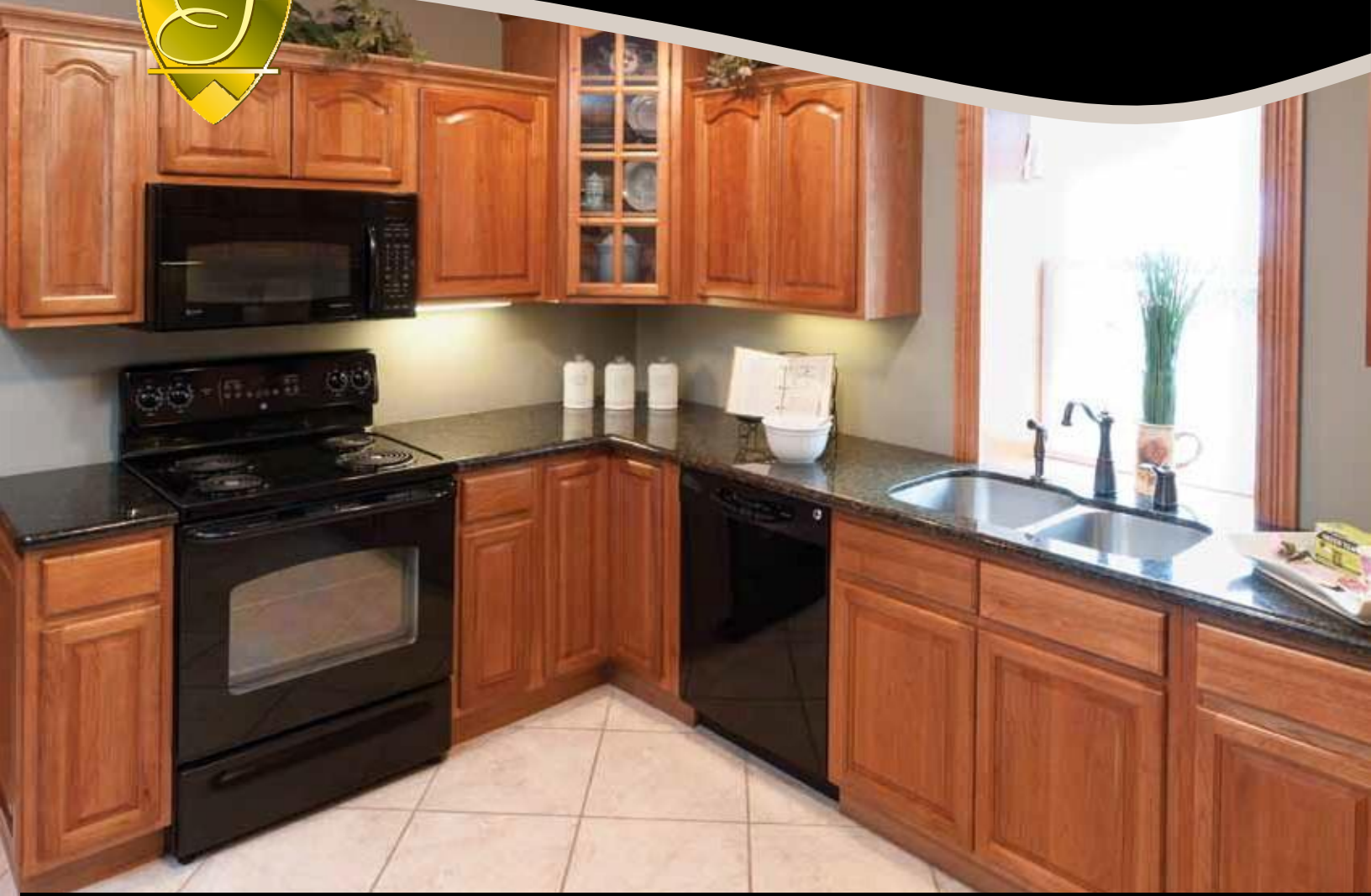




Hickory Cathedral



Hickory Cathedral

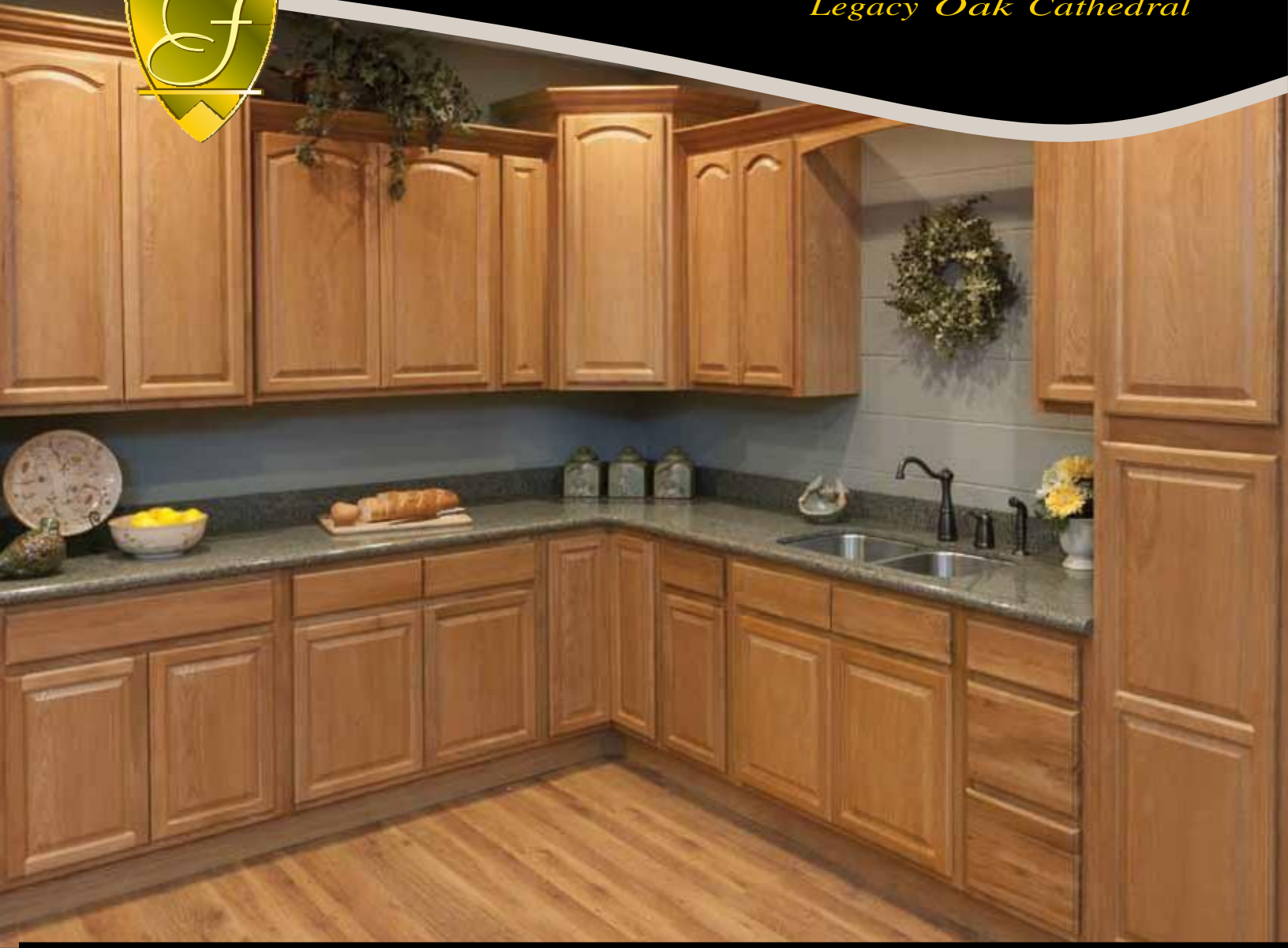




Legacy Oak Cathedral



Legacy Oak Cathedral





Bristol Chocolate



York Coffee/ Chocolate



Shaker White



Features	LO	HY	RO	WH	CH	SC	MO	WS	BC	YC
Solid Hardwood Doors and Face Frames	✓	✓	✓	✓	✓	✓	✓	✓	✓	✓
1/2" Plywood Construction	✓	✓	✓	✓	✓	✓	✓	✓	✓	✓
Cabinet Box & Shelves Stain Matched Inside & Out	✓	✓	✓	✓	✓	✓	✓			
3/4" Plywood Shelves	✓	✓	✓	✓	✓	✓	✓	✓	✓	✓
No Particle Board	✓	✓	✓	✓	✓	✓	✓	✓	✓	✓
Butt-Style Doors	✓	✓	✓	✓	✓	✓	✓	✓	✓	✓
Stainless Steel Baskets	✓	✓	✓	✓	✓	✓	✓	✓	✓	✓
European Concealed Hinges	✓	✓	✓	✓	✓	✓	✓	✓	✓	✓
Full Extension Glides	✓	✓	✓	✓	✓	✓	✓	✓	✓	✓
Dovetail Drawers	✓	✓	✓	✓	✓	✓	✓	✓	✓	✓
Roller Bearing Side Mount Drawer Glides	✓	✓	✓	✓						
Soft Close Undermount Drawer Glides					✓	✓	✓	✓	✓	✓
Full Overlay								✓	✓	✓
Stain Matched Drawer Boxes	✓	✓	✓	✓	✓	✓	✓			
Natural Drawer Boxes								✓	✓	✓
Soft Close Door Hinges								✓	✓	✓

KEY

Legacy Oak Cathedral = LO

Hickory Cathedral = HY

Rope With A Dark Glaze = RO

Heritage White With a Dark Glaze = WH

Cherry With A Dark Glaze = CH

Shaker Cherry = SC

Mocha With A Dark Glaze = MO

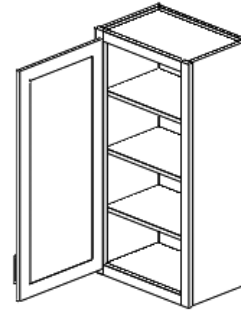
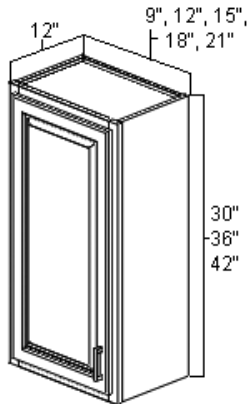
White Shaker (full overlay) = WS

Bristol Chocolate (full overlay) = BC

York Coffee (full overlay) = YC



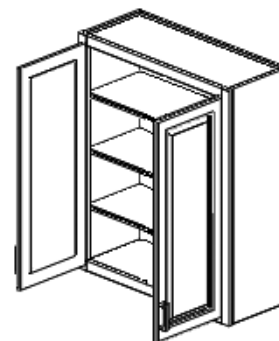
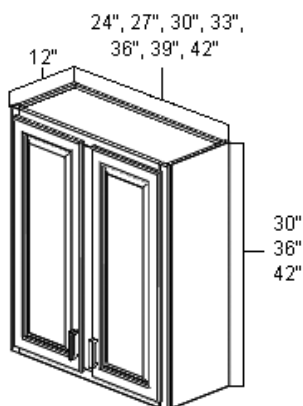
Single Door Wall Cabinets



W0930	W0936	W0942
W1230	W1236	W1242
W1530	W1536	W1542
W1830	W1836	W1842
W2130	W2136	W2142

- 30" and 36" tall cabinets have two adjustable shelves.
- 42" tall cabinets have three adjustable shelves.
- 9" wide cabinets DO NOT have an arch.
- 18" and 21" Shaker Cherry cabinets do have the decorative center stile on the door.

Double Door Wall Cabinets

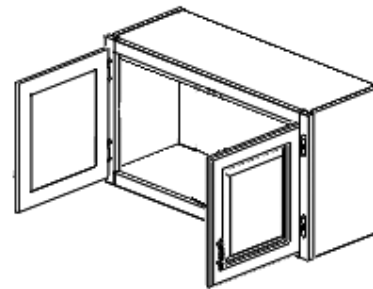
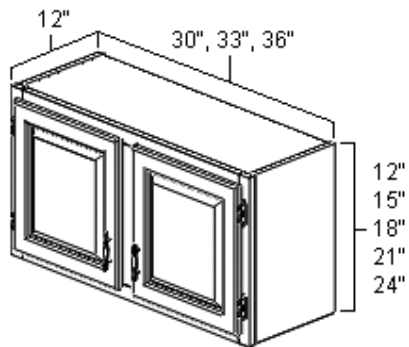


W2430	W2436	W2442
W2730	W2736	W2742
W3030	W3036	W3042
W3330	W3336	W3342
W3630	W3636	W3642
W3930	W3936	W3942
W4230	W4236	W4242

- 30" and 36" tall cabinets have two adjustable shelves.
- 42" tall cabinets have three adjustable shelves.
- Butt doors on cabinets 24" through 36" wide.
- 36" - 42" wide Shaker Cherry cabinets do have the decorative center stile on the door.



Bridge Wall Cabinets



W3012	W3312	W3612
W3015	W3315	W3615
W3018	W3318	W3618
W3021	W3321	W3621
W3024	W3324	W3624

- 24" tall cabinets have one adjustable shelf.
- The remaining heights have no shelves.
- Butt doors on cabinets 24" through 36" wide.

Picture to the right

Two bridge cabinets are used, one above the sink and one above the stove. All cabinets are shown with crown molding and light rail accents. Full Heritage White kitchen picture shown on page 9.

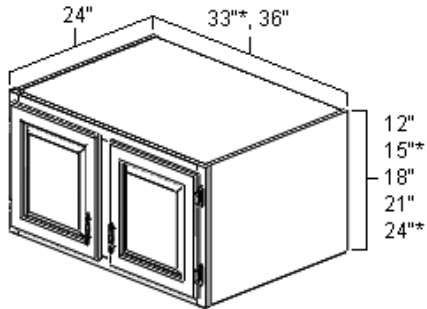


Picture to the left

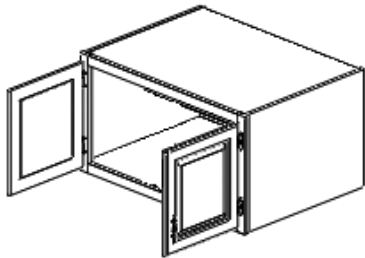
A bridge cabinet has been used above a lattice wine rack with a stem glass holder attached. All cabinets are shown with crown molding that have been painted black with optional rope molding inserted for added detail. The wall cabinets to the left and right of the wine rack and bridge cabinets are shown with light rail that has been painted black to match the crown. Full Mocha kitchen shown on page 11.



Refrigerator Wall Cabinets



WR3315	WR3612	WR3621
WR3324	WR3615	WR3624
	WR3618	



- 24" tall cabinets have one adjustable shelf.
- Remaining heights have no shelves.
- 33" wide cabinets are available only in 15" and 24" heights.
- Butt doors on all refrigerator wall cabinets.

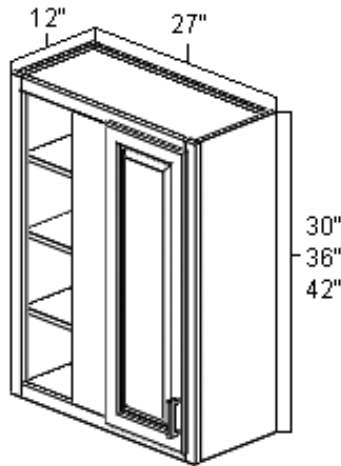


Picture above

A refrigerator cabinet is shown with a refrigerator end panel. To complete the look crown molding and light rail have been added. Full Heritage White kitchen picture shown on page 9.

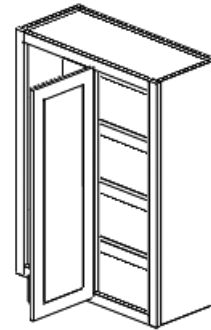


Blind Corner Wall Cabinets



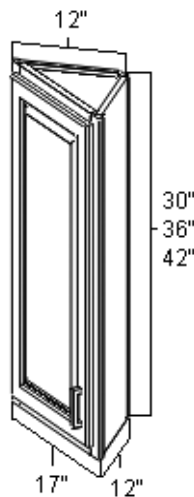
WBC2730
WBC2736
WBC2742

Adjustable to 30" wide.

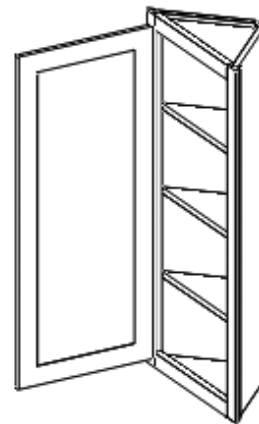


- 30" and 36" tall cabinets have two adjustable shelves.
- 42" tall cabinets have three adjustable shelves.
- 2.5" stile exposed when using 12" deep cabinet on adjacent wall. May be necessary to pull further to allow clearance for door hardware. May not be pulled further than 3". 12" door overlays 11" frame opening.

Wall End Cabinets



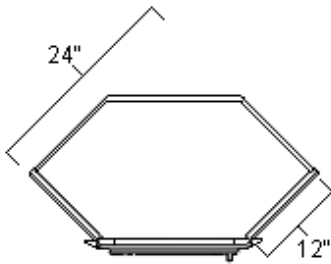
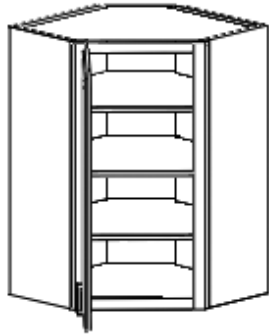
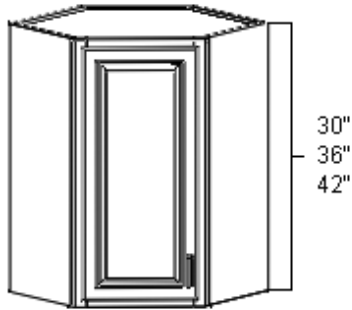
WCA1230
WCA1236
WCA1242



- 30" and 36" tall cabinets have two adjustable shelves.
- 42" tall cabinets have three adjustable shelves.



Wall Diagonal Corner Cabinets



WDC2436
WDC2442

- 30" and 36" tall cabinets have two adjustable shelves.
- 42" tall cabinets have three adjustable shelves.
- All full overlay cabinets require the use of fillers on either side to ensure the cabinet doors can open freely without interference from the opposing cabinets.



Picture above

A wall diagonal corner cabinet that is one size up in height has been bumped out to create this look. Crown molding with the rope insert was added for the final touch. Full Glazed Cherry kitchen picture shown on page 7.

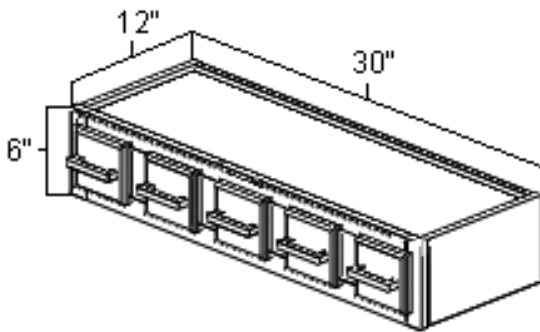


Picture above

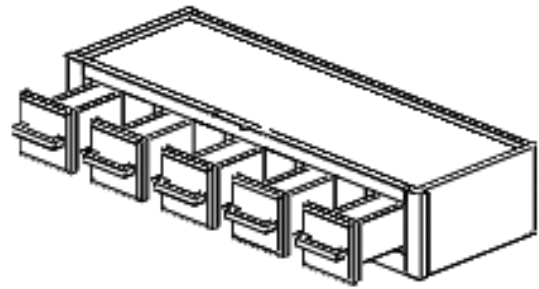
A wall diagonal corner cabinet has been bumped out and elevated to create this staggered appearance. A mullion door has been added along with crown molding with a painted rope insert. To finalize the look, lighting and glass shelves (not available thru Faircrest Cabinets) have been added inside the cabinet. Full Shaker Cherry kitchen picture shown on page 13.



Wall Spice Cabinets



WSC30



- This cabinet does not come with any drawer slides.
- The interior is finished and the cabinet can be used without the drawers as a wine rack.
- The drawers cannot be turned. If drawers are used the cabinet must be installed horizontally for them to function properly.

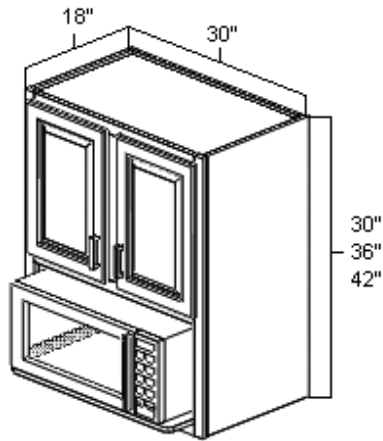


Picture to the left

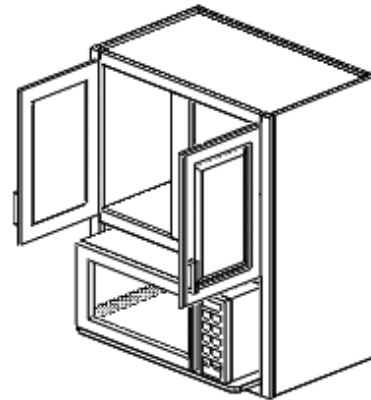
A wall spice cabinet is shown below a plate rack and a bridge cabinet. The bottom edge is finished with light rail molding. The complete Glazed Cherry kitchen picture is shown on page 7.



Microwave Cabinets



MW3030
MW3036
MW3042



- This cabinet is designed for “counter” style microwaves.
- There are no shelves in this cabinet.
- Opening width is 26-7/8”.
- Opening height is 18-1/2”.
- Shelf depth is 20”.
- Cabinet depth is 18”.
- Butt doors on all microwave cabinets.

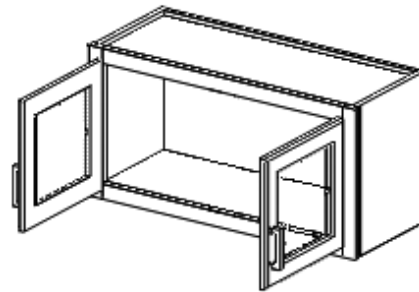
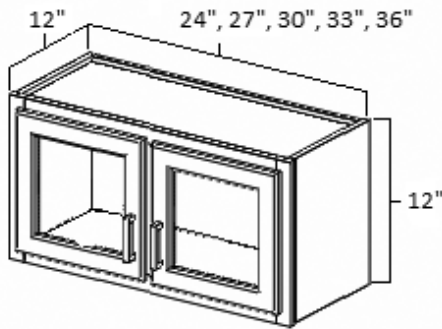
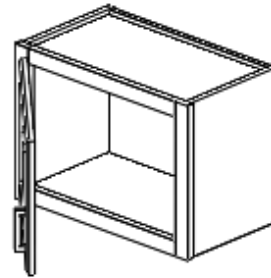
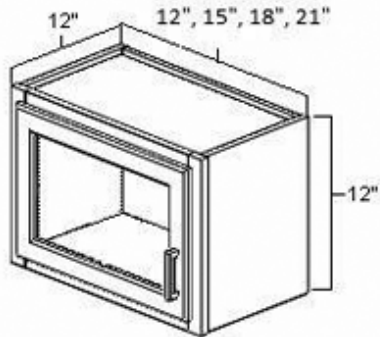
Picture to the right

A microwave cabinet is shown with optional crown molding with a painted rope insert and light rail molding. Full Shaker Cherry kitchen picture shown on page 13.





Decorative Wall Cabinets / Stackers



W1212BG **W2712BG**
W1512BG **W3012BG**
W1812BG **W3312BG**
W2112BG **W3612BG**
W2412BG

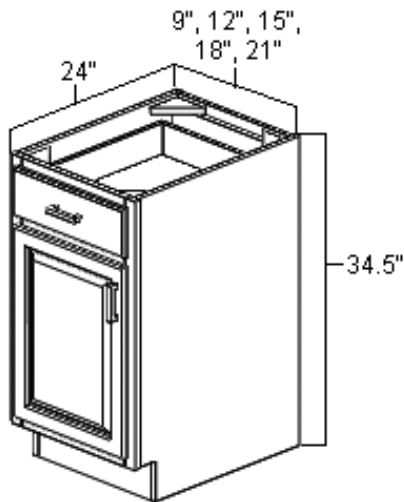
- Doors have beveled glass fronts.
- These cabinets are shipped pre-assembled.
- Butt doors on all double door stacker cabinets.
- Available only in Heritage White, Mocha, Shaker Cherry, Glazed Cherry, Rope, York Coffee, White Shaker, and Bristol Chocolate.

Picture to the right
Stacker cabinets have been used above a 30" high wall cabinet layout. A WDC2442 with a mullion door is used in the corner. Crown molding is used on top to complete this look. Full Heritage White kitchen picture shown on page 45.

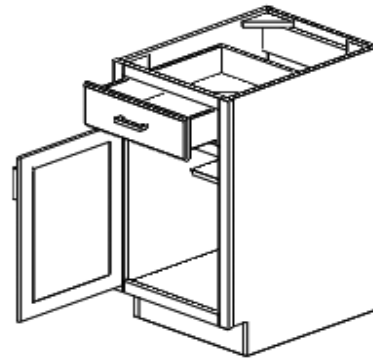




Single Door / Single Drawer Base Cabinets

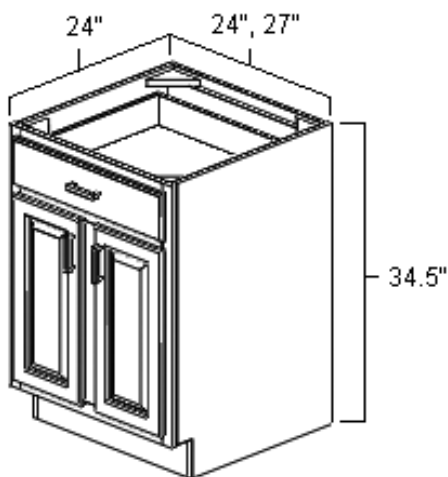


B09 B12 B15 B18 B21

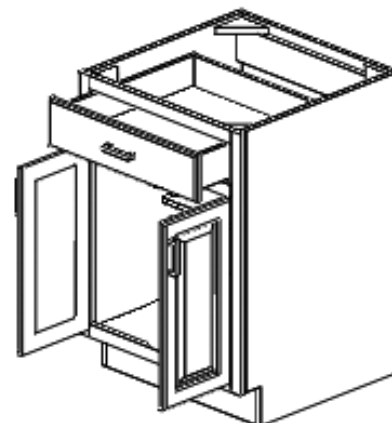


- 1/2" depth adjustable shelf.
- 18" and 21" Shaker Cherry cabinets have the decorative center stile on the door.
- Not available in Heritage White.
- For a 9" wide cabinet in Heritage White please see TB09 shown on page 39.

Double Door / Single Drawer Base Cabinets



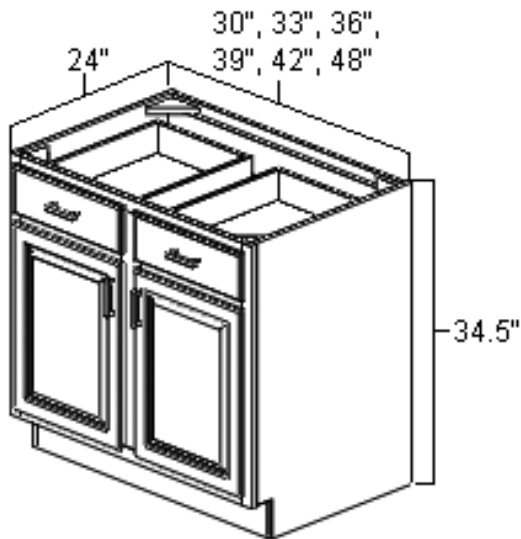
B24 B27



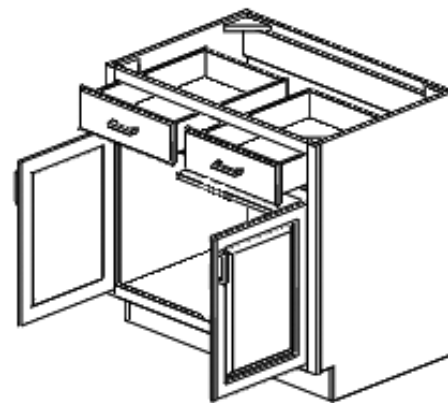
- 1/2" depth adjustable shelf.
- Butt doors on both 24" and 27" wide bases.



Double Door / Double Drawer Base Cabinets

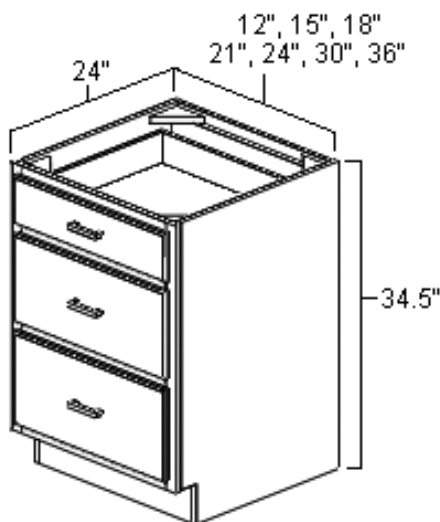


B30 B33 B36 B39 B42 B48

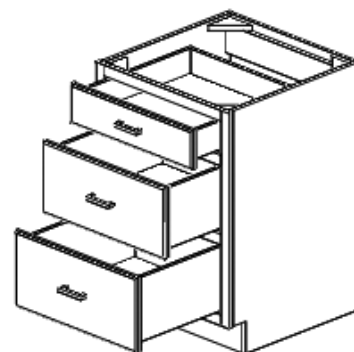


- 1/2" depth adjustable shelf.
- 36" and wider Shaker Cherry cabinets do have the decorative center stile on the door.
- Butt doors on 30" thru 36" wide bases.

Drawer Base Cabinet



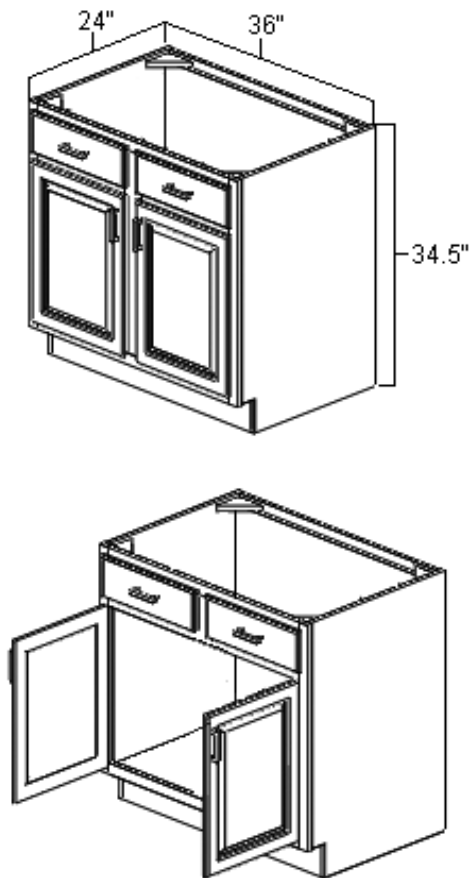
**DB12 DB15 DB18
DB21 DB24 DB30
DB36**



- Heritage White, Shaker Cherry, Glazed Cherry, Mocha, Rope, York Coffee, White Shaker, and Bristol Chocolate have one standard drawer on top and two deep drawers below.
- Hickory and Legacy Oak have one standard drawer on top, one mid size drawer in the center, and one deep drawer on the bottom.



Sink Base Cabinet



SB36

- There are no shelves in this cabinet.
- There are no drawers in this cabinet.
- Butt doors on this 36" wide cabinet.
- 36" wide Shaker Cherry style cabinets do have the decorative center stile on the door.
- Any base may be used as a sink base by simply not installing the drawer hardware and attaching only the drawer faces to the cabinet as false fronts.

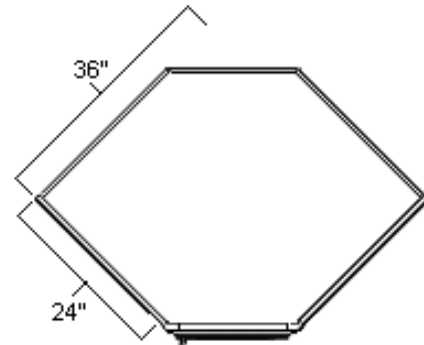


Picture above

36" Sink Base shown between a drawer base and a standard base. Full Heritage White kitchen shown on page 9.



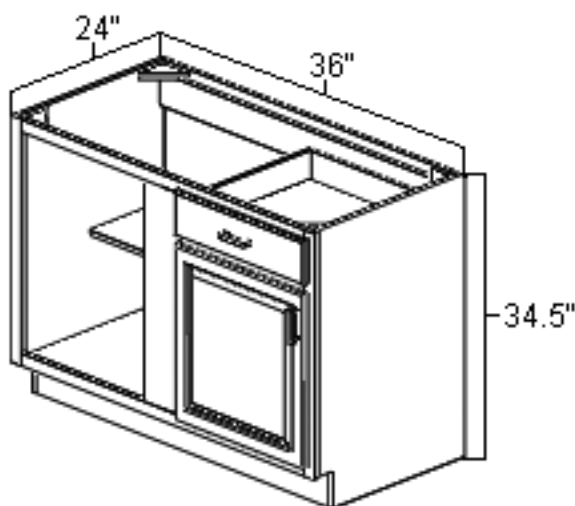
45° Diagonal Corner Sink Base Cabinet



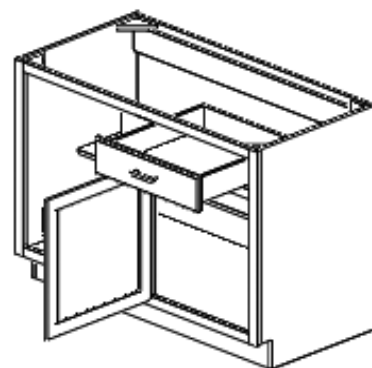
DCSB36

- There are no shelves in this cabinet.
- There are no drawers in this cabinet.

Blind Base Corner Cabinet



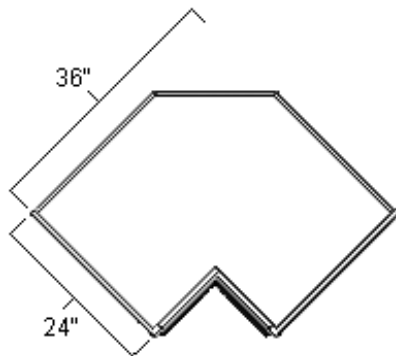
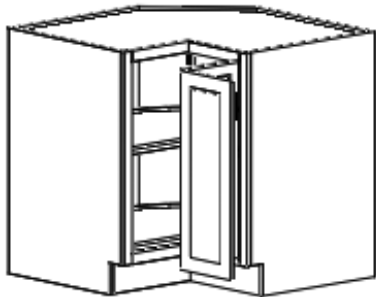
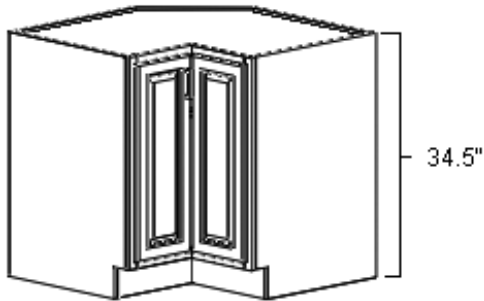
BBC36



- Adjustable to 45" wide.
- Must be pulled a minimum of 3". May be necessary to pull further to allow clearance for door and drawer hardware. May not be pulled farther than 9".
- 12 7/8" door overlays 11 7/8" frame opening.



Lazy Susan



LS3612

- Stainless steel baskets are standard.
- There are two baskets per cabinet.
- Both baskets are height adjustable.
- All full overlay cabinets require the use of fillers on either side to ensure the cabinet doors can open freely without interference from the opposing cabinets.



Picture above

A lazy susan is pictured with the door open revealing the stainless steel baskets. Full Glazed Cherry kitchen shown on page 7.

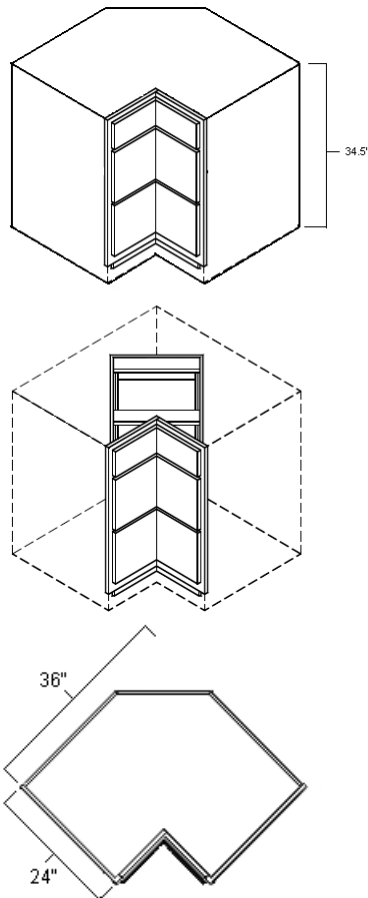


Picture above

A lazy susan is pictured with the door closed. Full Glazed Cherry kitchen shown on page 7.



Corner Drawer Base



CDB36

- This cabinet has three fully functioning, full extension drawers.
- Heritage White, Shaker Cherry, Glazed Cherry, Mocha, Rope, York Coffee, White Shaker, and Bristol Chocolate have one standard drawer on top and two deep drawers below.
- Hickory and Legacy Oak have one standard drawer on top, one mid size drawer in the center, and one deep drawer on the bottom.
- All full overlay cabinets require the use of fillers on either side to ensure the cabinet doors can open freely without interference from the opposing cabinets.



Picture above

A CDB36 with the drawers open to show function. Please note that all three drawers are full extension and are shown partially closed in the picture. Full Shaker Cherry kitchen shown on page 13.



Base End Angle Cabinet



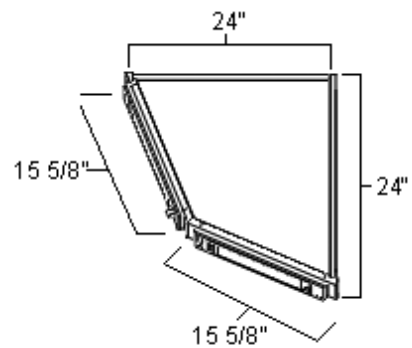
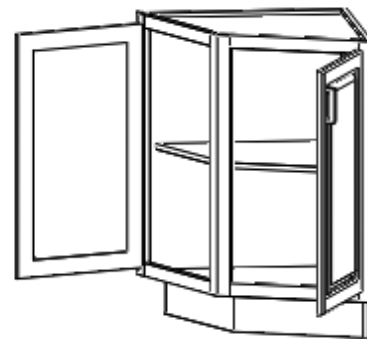
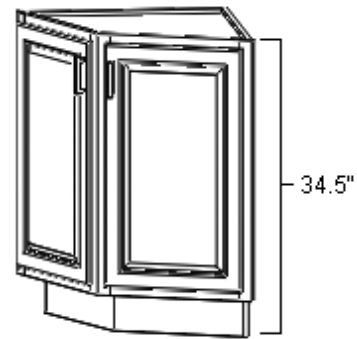
Picture above

Three BA24s are used to create the end of an island. Two of the doors have been replaced with 30" mullion doors and have lights (lights are not available thru Faircrest Cabinets) installed to create this decorative look. Full Mocha kitchen shown on page 11.



Picture above

A BA24 is used on both sides of a base cabinet to create this island. Full Shaker Cherry kitchen shown on page 13.

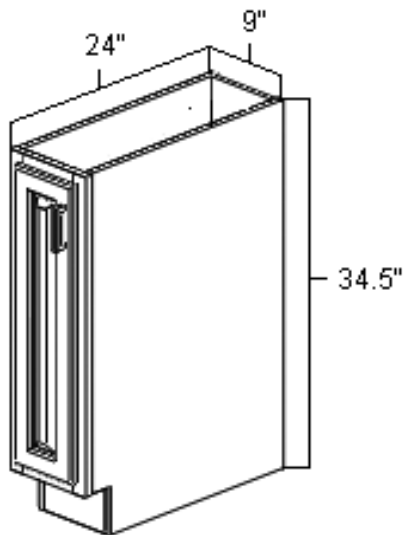


BA24

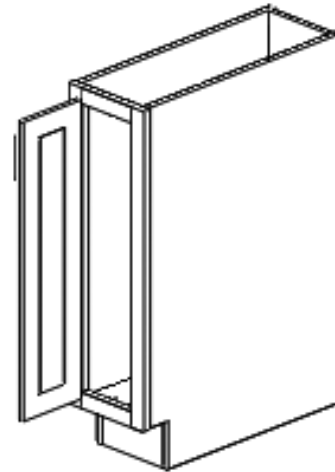
- One adjustable shelf.



Tray Base / Cookie Sheet Cabinet

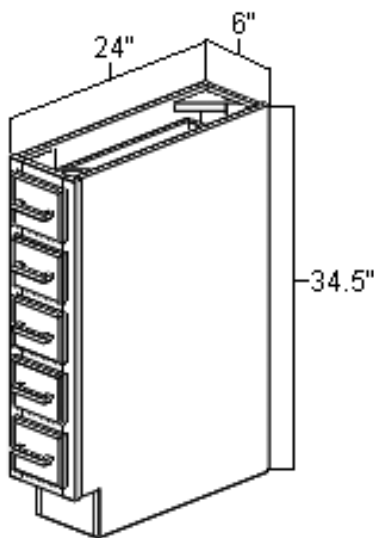


TB09



- There are no shelves in this cabinet.

Base Spice Drawer



BSD6

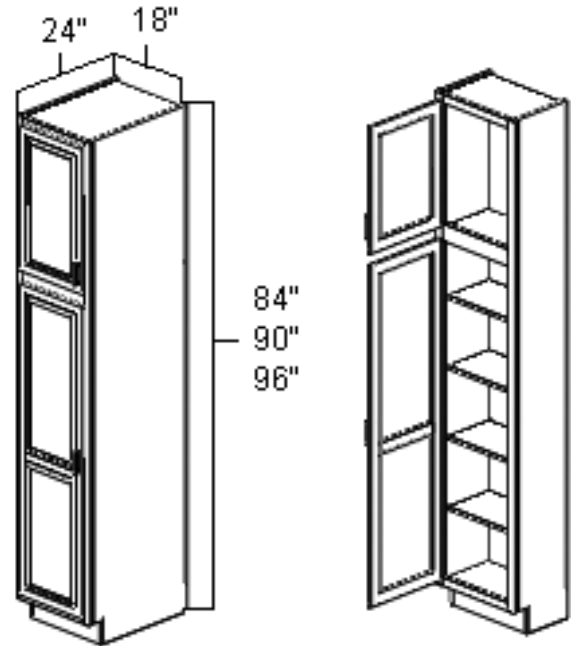
- This cabinet does not come with any drawer slides.
- The interior is finished and the cabinet can be used without the drawers as a wine rack.

Picture to the right BSD6 with drawers partially pulled out to show function. Full Glazed Cherry kitchen shown on page 7.





18" Wide Utility Cabinets



UC1884
UC1890
UC1896

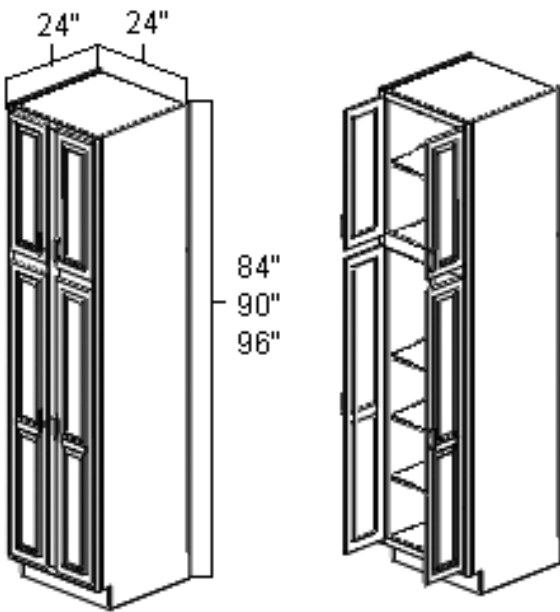
Picture above

On each side of the refrigerator an 18" utility cabinet is used, with a refrigerator wall cabinet in the middle. The cabinets are topped off with crown molding with the rope insert that has been painted black. Full Rope kitchen shown on page 15.

- Four adjustable half depth shelves can be used in either the top or bottom section.
- Bottom section measures 54" tall.
- These cabinets are 24" deep.
- 18" wide Shaker Cherry cabinets have the decorative center stile on the door.



24" Wide Utility Cabinets



UC2484
UC2490
UC2496

- Four adjustable half depth shelves can be used in either the top or bottom section.
- Bottom section measures 54" tall.
- These cabinets are 24" deep.
- Butt doors on all 24" wide utility cabinets.

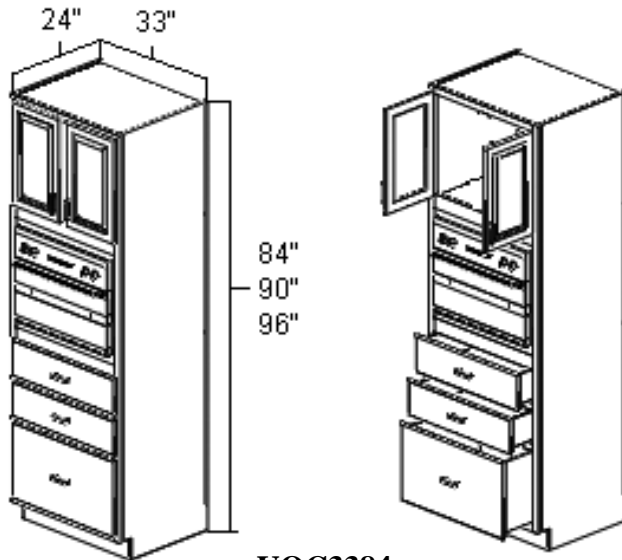
Picture to the right

The 24" wide utility cabinet pictured is accented with three decorative panels on the side and crown molding with the decorative rope insert on the top. Full Shaker Cherry kitchen shown on page 13.





Universal Oven Cabinets



UOC3384
UOC3390
UOC3396

- The cut out opening measures 28.5" x 22".
- Will fit any standard size oven.
- These cabinets are 24" deep.
- Can be arranged as a single oven, double oven, or oven/microwave combination by removing the necessary drawers and cutting to fit.
- Butt doors on all universal oven cabinets.
- The top two drawers are standard drawers while the bottom is a deeper drawer.



Picture above

This universal oven cabinet has had the top two drawers removed and has been trimmed to fit the oven and microwave. It is pictured with crown molding and a rope insert which has been painted black. Full Mocha kitchen shown on page 11.

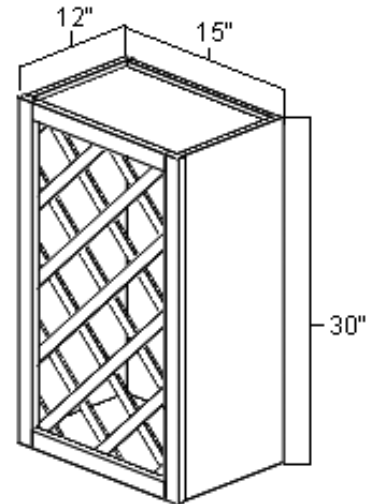
A picture of an oven cabinet with all three drawers still intact is shown in the Rope full kitchen display on page 15.



Lattice Wine Rack



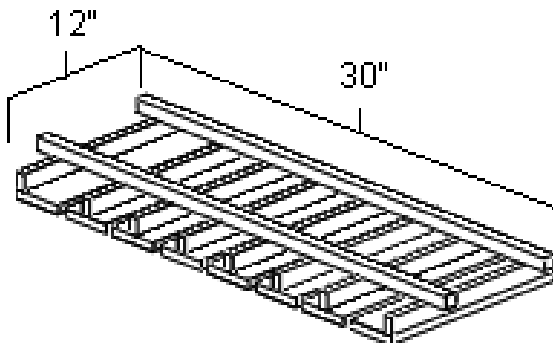
Picture to the left A lattice wine rack has been installed below a bridge cabinet. Below the lattice wine rack a stem glass holder has been installed. Full Shaker Cherry kitchen shown on page 13.



LWR3015

- Holds 11 bottles.
- Can be installed horizontally or vertically.
- Will hold 3-3/4" diameter bottles.

Stem Glass Holder



SGH30

- Solid wood.
- Mounts to bottom of wall cabinet.
- Can be cut to fit smaller cabinets.



Corbels



Width: 4-3/4"
Depth: 5"
Height: 9-1/2"

CBLPN2

- Available in Heritage White, Shaker Cherry, Glazed Cherry, Mocha, York Coffee, White Shaker, and Bristol Chocolate.

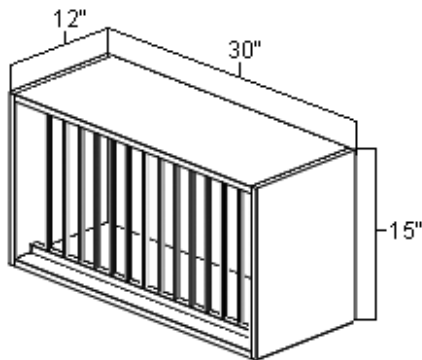


Width: 6-1/4"
Depth: 6-1/2"
Height: 13-1/4"

CBLPN3

- Available in Heritage White, Shaker Cherry, Glazed Cherry, Mocha, York Coffee, White Shaker, and Bristol Chocolate.

Plate Rack



PR3015

- Will hold 10 plates.

Picture on opposite page

A plate rack has been used above a wall bridge cabinet and between two base cabinets to create the island in this Heritage White kitchen.

This plate rack may also be used with wall cabinets. This is displayed in the Glazed Cherry full kitchen display on page 7, and the Shaker Cherry full kitchen display on page 13.



Plate Rack





Roll Out Trays



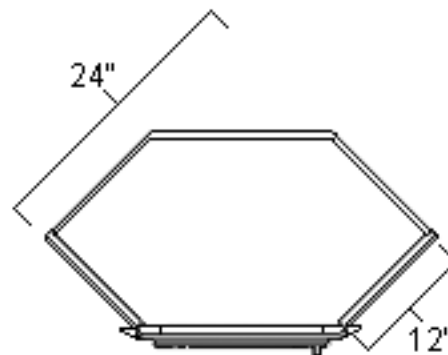
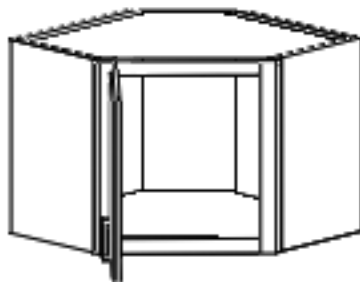
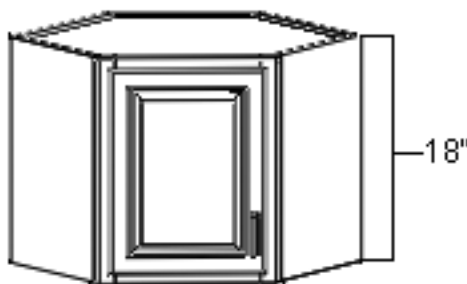
Picture to the left
Roll out trays have been used in this pantry allowing for easy access to items in the back of the cabinet. Roll out trays may also be used in base and wall cabinets. They can be placed at any height within the cabinet. Full Rope kitchen shown on page 15.



ROT15	ROT18
ROT21	ROT24
ROT27	ROT30
ROT33	ROT36

- Order according to the width of the cabinet.
- EX: ROT21 fits B21 cabinet.

Appliance Garage

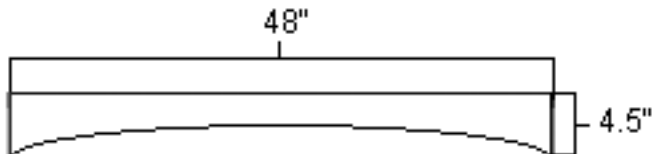


AG2418

- Designed for installation on countertop.
- Fits directly below a wall diagonal corner cabinet.



Arched Valance



VA48

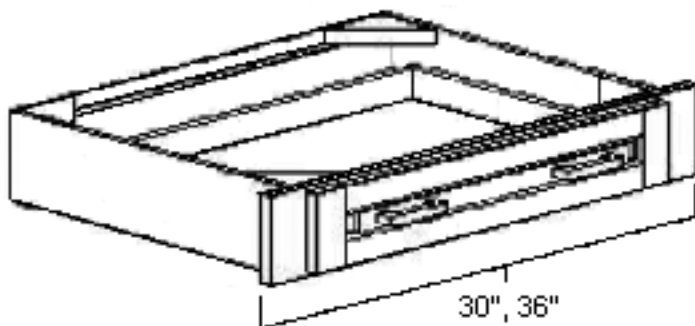
- Can be trimmed down to needed size.



Picture to the right

This white valance has been trimmed down in size to fit beneath a bridge cabinet. Full Heritage White kitchen picture shown on page 45. An image of a valance used by itself between two cabinets is shown in the full Legacy Oak kitchen display shown on page 19.

Under Counter / Knee Drawers

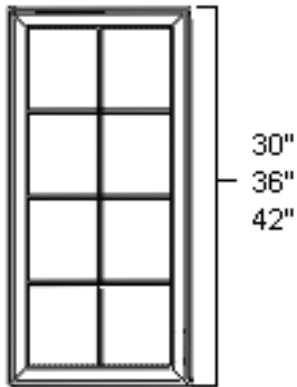


UCD30
UCD36

- Drawer unit designed to be installed under counter to create a desk area.



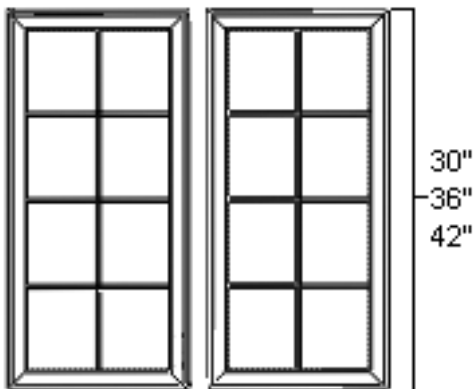
Mullion Doors



- Match the profile of the selected door style.
- EX: Hickory Cathedral will have the arch.
- The information following MD in the sku indicate the size / type of cabinet the door will fit.
- EX: MD2442 fits a W2442.
- EX: MDWDC36 fits a WDC2436.
- 30" and 36" high cabinets will have 6 panes while 42" high cabinets will have 8.

MD1530	MD1536	MD1542
MD1830	MD1836	MD1842
MD2130	MD2136	MD2142

MDWDC30
MDWDC36
MDWDC42



MD2430	MD2436	MD2442
MD3030	MD3036	MD3042
MD3036	MD3636	MD3642

The above sizes are sold in sets.



Picture above

Mullion doors have been used on this wall cabinet. Lights and glass shelves (not available through Faircrest Cabinets) have been used within the cabinet giving it this illuminated appearance. The light rail and crown molding complete the look. Full Shaker Cherry kitchen shown on page 13.

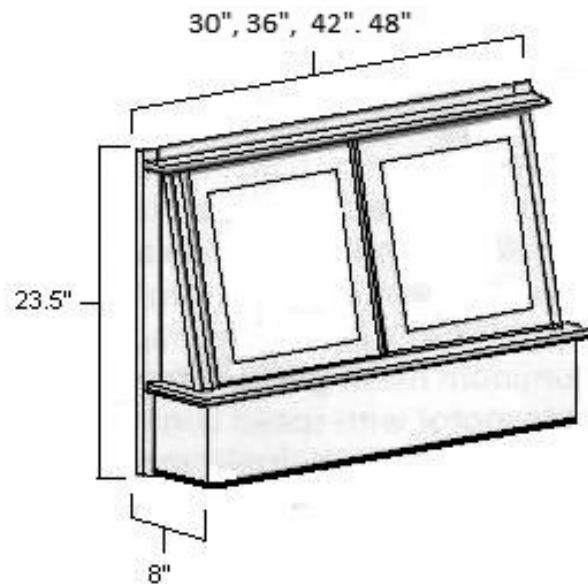


Range Hood Fronts



Picture above

A range hood front has been used between two wall cabinets. Above the range hood front a wall cabinet has been laid horizontally to give it this elevated appearance. Full Mocha kitchen shown on page 11.

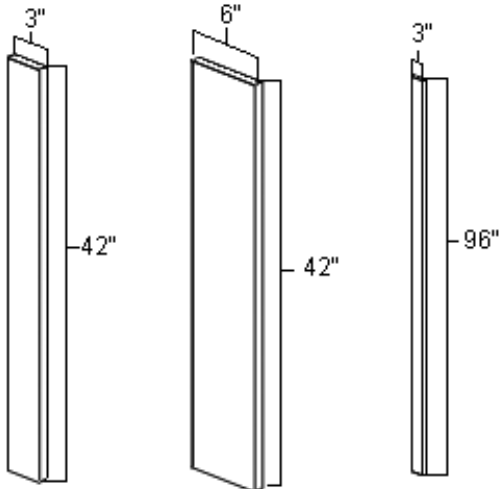


RHF30
RHF36
RHF42
RHF48

- Available in Heritage White, Mocha, Glazed Cherry, Shaker Cherry, Rope Available in Heritage White, Shaker Cherry, Glazed Cherry, Mocha, York Coffee, White Shaker, and Bristol Chocolate.
- Must be installed between two cabinets for support.
- Before installation of the RHF occurs, the blower should be installed and the depth adjusted using fillers and/or panels to fit the blower.



Wall Fillers



WF342

WF642

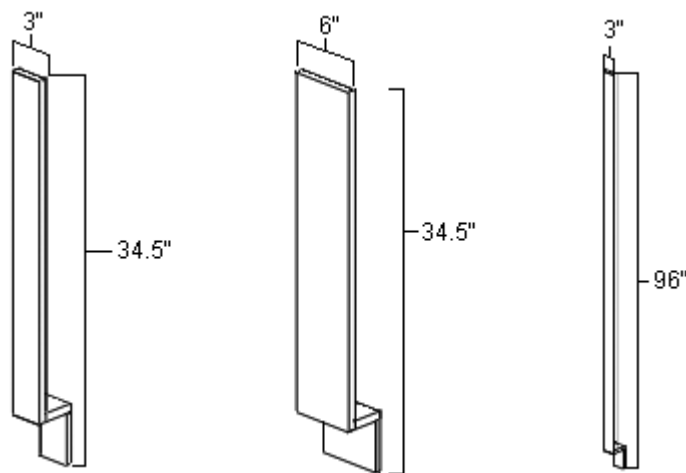
WF396

- 3/4" thick.
- Can be trimmed to desired height / width.

Picture to the right
A rope wall filler has been used between a wall cabinet and a wall diagonal corner cabinet to fill a small gap. The cabinets and the filler have been finished with crown molding (with the rope insert that has been painted black) and light rail. The full Rope kitchen is shown on page 15.



Base Fillers



BF3

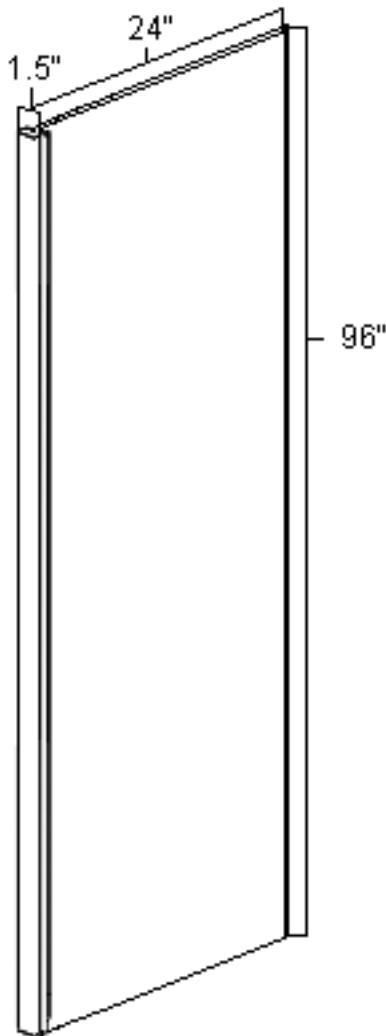
BF6

TF396

- 3/4" thick.
- Can be trimmed to desired height / width.



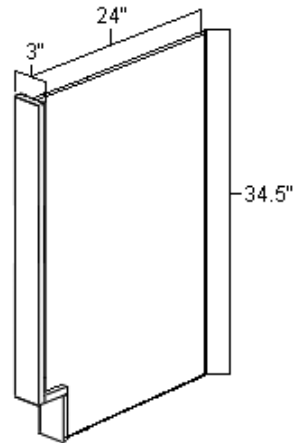
Refrigerator End Panel



REP9624

- 3/4" thick panel with a 1.5" wide filler on the front.
- Can be trimmed to desired height.
- May be used either left or right.

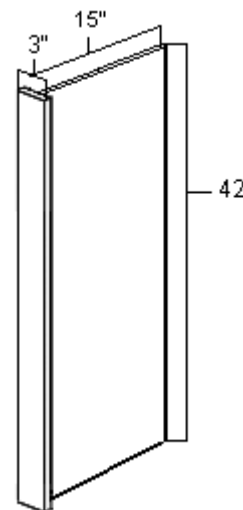
Base End Panel



BEP3

- 3/4" thick panel with a 3" wide filler on the front.
- May be used either left or right.

Wall End Panel

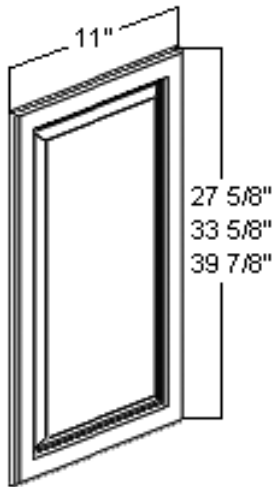


WEP1542

- 3/4" thick panel with a 3" wide filler on the front.
- Can be trimmed to desired height.
- May be used either left or right.



Decorative Panels

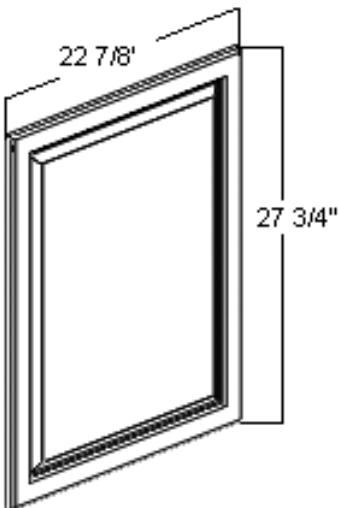


DP1230
DP1236
DP1242

- These three panel sizes will resemble the wall cabinet doors. Ex: Hickory DP1230s will have the arch.
- The last two digits in the item number indicate the height of wall cabinet these panels will fit. Ex: DP1236 will fit the side of a W1236.

Picture on the Right

A Glazed Cherry decorative panel is shown on the side of a Glazed Cherry wall cabinet.



DP2430

- These panels resemble the base cabinet door. They are all square in design.
- These panels are designed to fit on the side of any base cabinet.

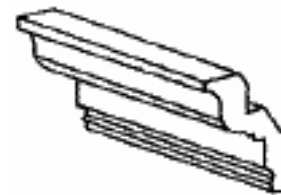
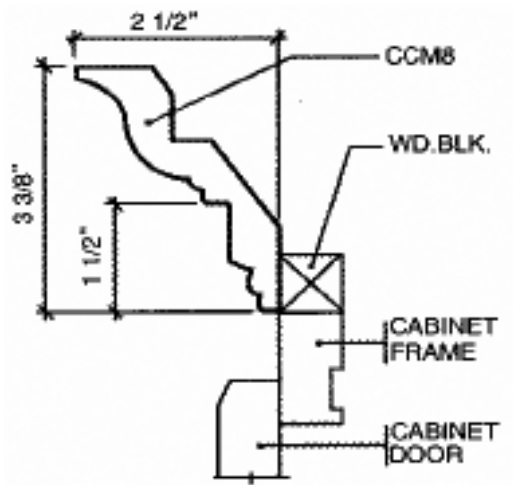
Picture on the Right

A Glazed Cherry decorative panel is shown on the side of a Glazed Cherry base cabinet.





Crown Molding



LCM8

- Sold in 8ft long sections.
- Flat section to accommodate Rope insert.
- When applying crown to full overlay cabinets a crown backer will be required.

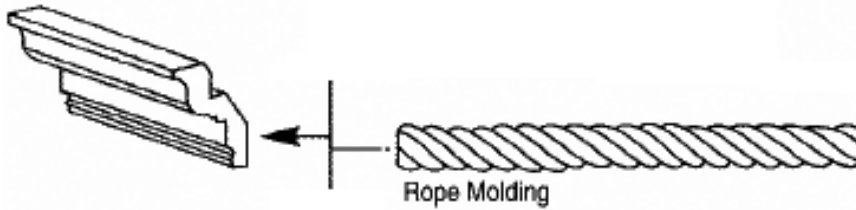


Picture above

Crown molding has been used along the tops of these wall cabinets and the valance. Full Legacy Oak kitchen picture shown on page 19.



Rope Insert



ROPE8

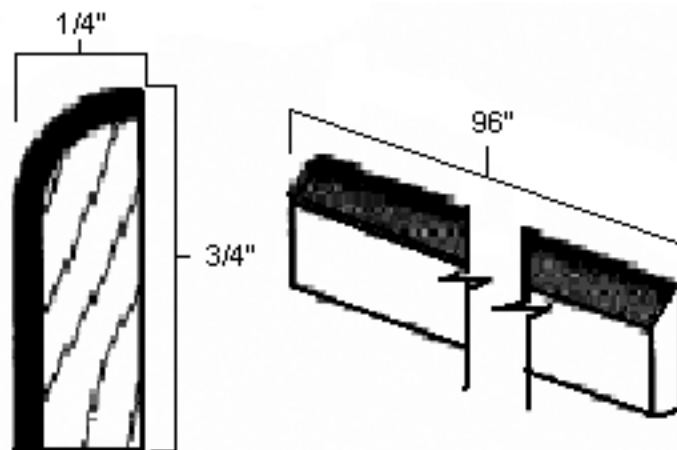
- Sold in 8 ft long sections.
- 9/16th of an inch wide.
- 1/4 inch thick.
- Crown molding insert.



Picture above

The rope insert has been added to accent the crown molding on these Glazed Cherry cabinets. Full Glazed Cherry kitchen shown on page 7.

Scribe Molding

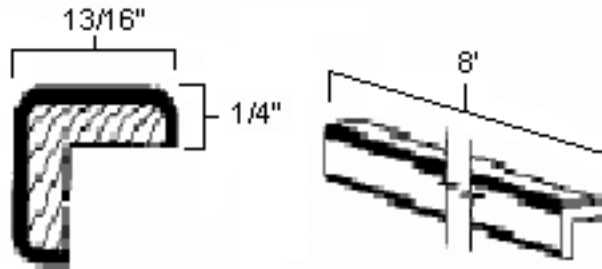


SM8

- Sold in 8 ft long sections.



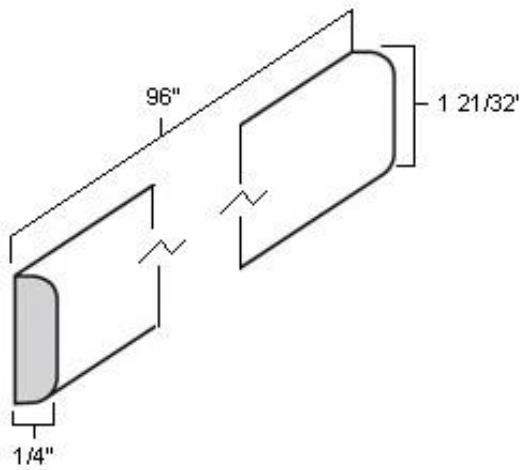
Outside Corner Molding



OCS8

- Sold in 8 ft long sections.

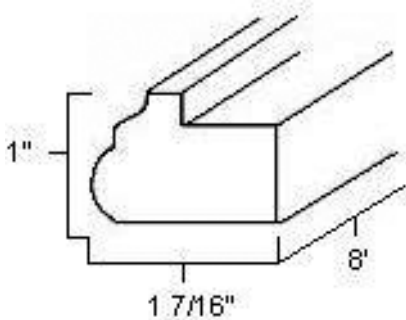
Batten Molding



BM8

- Sold in 8 ft long sections.

Light Rail Molding



LRM8

- Sold in 8 ft long sections.

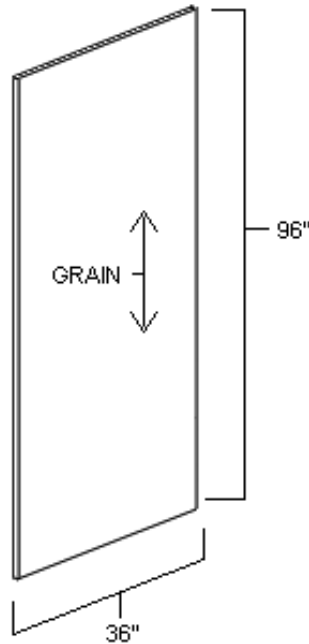


Picture above

Light rail has been used on the bottoms of these cabinets. The addition of this rail helps to conceal the lights that have been placed on the bottoms of these cabinets. Full Shaker Cherry kitchen shown on page 13.



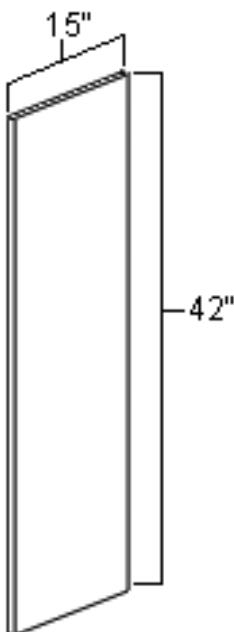
Stained Plywood



SPW

- 1/4 inch thick.

Wall Skin



WS1542

- 1/4" thick.
- Can be cut to fit.

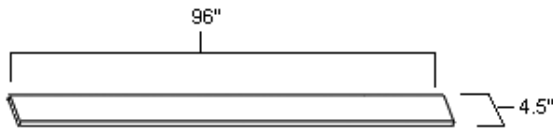
Picture on the Right

A wall skin has been used on each side of this wall diagonal corner cabinet. It conceals the gap between the wall and the cabinet that is created when bumping a cabinet out to create this staggered / raised appearance. Full Shaker Cherry kitchen shown on page 13.





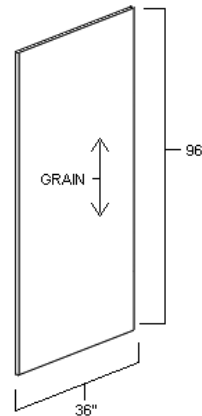
Toe Kick



TK8

- 1/4 inch thick.
- Can be cut to fit.

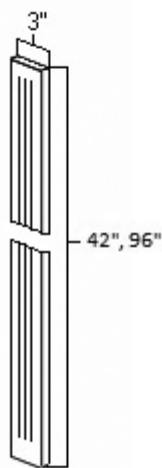
Island Panel



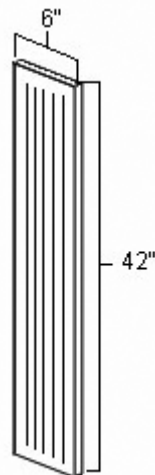
IS3696

- 1/2" to 5/8" thick.

Fluted Wall Fillers



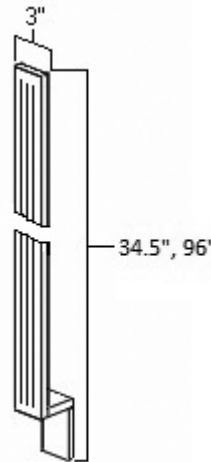
WFF342
WFF396



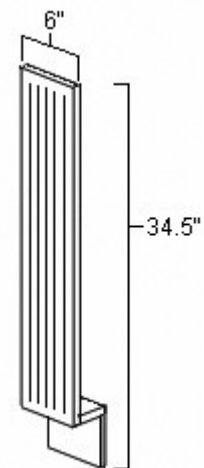
WFF642

- 3/4" thick.
- Can be trimmed to desired height.
- 3" wide fillers have 3 flutes.
- 6" wide fillers have 5 flutes.
- Flutes begin 1.5" from the top and end 1.5" from the bottom.
- Available in Heritage White, Glazed Cherry, Shaker Cherry, and Mocha.

Fluted Base Fillers



BFF3
TFF396

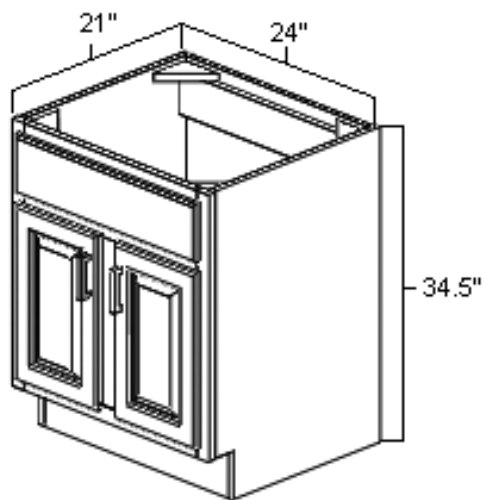


BFF6

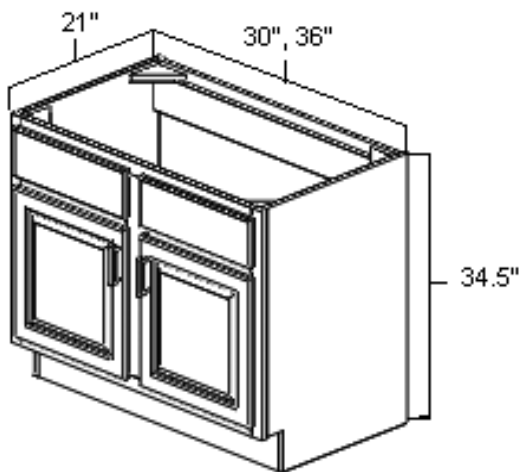
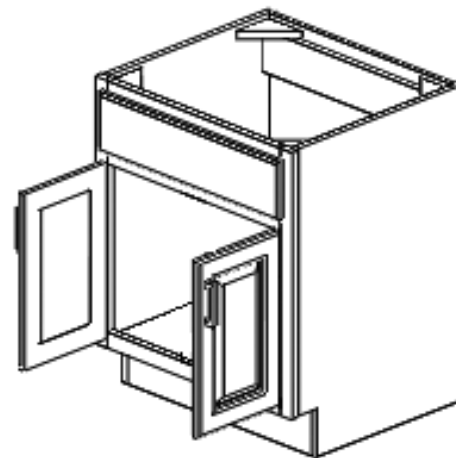
- 3/4" thick.
- Can be trimmed to desired height.
- 3" wide fillers have 3 flutes.
- 6" wide fillers have 5 flutes.
- Flutes begin 1.5" from the top and end 1.5" from the bottom.
- The toe kick area is not fluted.
- Available in Heritage White, Glazed Cherry, Shaker Cherry, and Mocha.



Vanity Sink Base

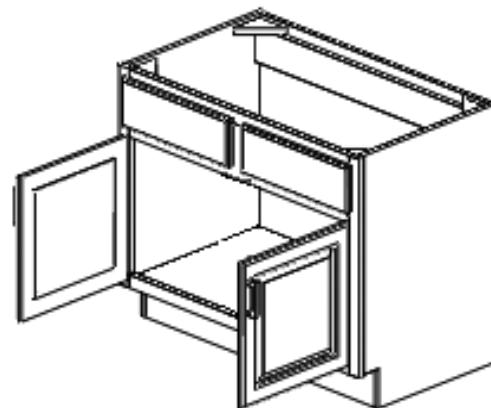


V2421



V3021

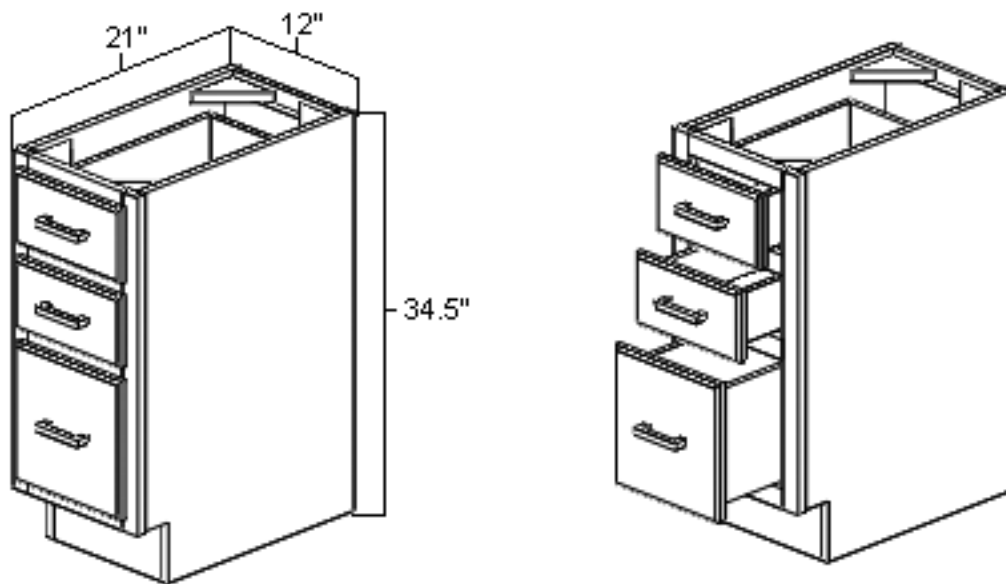
V3621



- There are no shelves or drawers in these cabinets.
- Butt doors on all three vanity sink bases.
- 36" wide Shaker Cherry style cabinets do have the decorative center stile on the door.
- Depth: 21".



Vanity Drawer Base

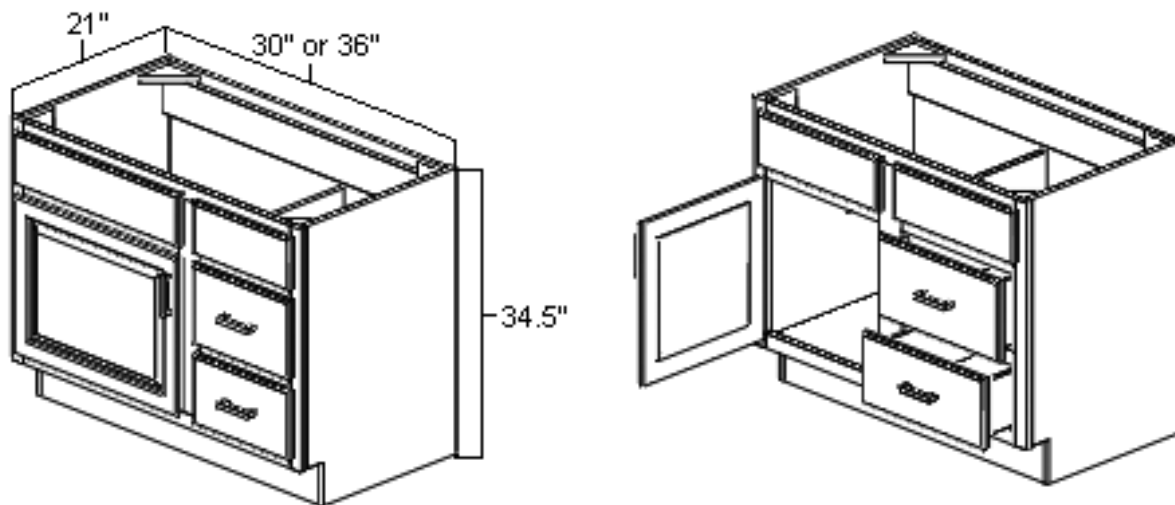


VDB1221

- Depth: 21".
- All styles have one standard drawer on top and two deep drawers below.
- All three drawers are fully functioning.



Vanity Combinations

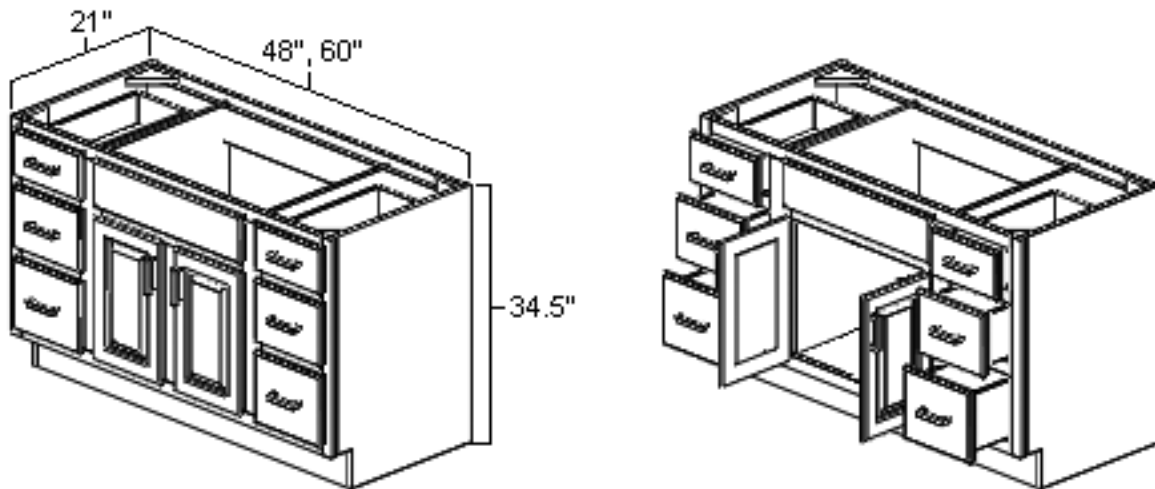


V3021D
V3621D

- Depth: 21".
- There are no shelves in these cabinets.
- Only the bottom two drawers are functioning.
- All styles have one standard false drawer front on top and two deep drawers below.
- 36" wide Shaker Cherry cabinets do have the decorative center stile.
- All styles have one standard false drawer front on top and two deep drawers below.



Vanity Combinations Continued



V4821DD
V6021DD

- Depth: 21".
- There are no shelves in these cabinets.
- All six drawers are fully functioning.
- All styles have two standard drawers on top and four deep drawers below.
- Butt doors on both vanity combinations.

Please note the vanity sink bases and the vanity drawer bases may be used in any combination to create the desired set up. Ex: V2421, VDB1221, V2421 can be used to create a double bowl vanity with drawers in the center.

Also note that when looking inside the vanities, there is not a divider between the drawers and the sink base area. This is open so that the drawers are visible. If you would like these areas to be separated, then a configuration of vanities without drawer and vanity drawer bases should be used.



Faircrest Cabinets