



P

# RODUCT SPECIFICATION GUIDE



Member  
**NKBA**

CARB2  
compliant 

MARCH 2014



**ALL WOOD  
CABINETRY  
SEMI-CUSTOM**

## Limited Lifetime Warranty

All Wood (warrantor) warrants to the original consumer purchaser only, that all products manufactured or supplied by warrantor will be free from defects in material and workmanship. This warranty is for your lifetime as long as you own the cabinetry, on product used for Residential Purposes only and is not transferable to subsequent owners. Proof of Purchase is required.

This warranty does not cover damage resulting from normal wear, accident, misuse or lack of reasonable and necessary maintenance and service; nor does it warranty the improper installation or unauthorized repair, alteration, or modification or defects in the product when the product is installed. This warranty is limited to the repair or replacement of the defective part at the sole discretion of warrantor. Warranty is limited to All Wood Cabinetry branded products excluding all electrical components: Excluded items may carry separate warranties as provided directly by the manufacturer of these products.

### Other Warranties

#### Electrical Components – 1 Year Limited Warranty

It is our option to provide repair parts or replace with functionally equivalent product. Return of product may be required for replacements. Such repair parts or replacement shall be at warrantor's expense, but customer shall bear all other expenses, including, but not limited to, cost of removal, transportation, re-installation, communication and any special service required by customer such as, overtime labor, etc.

Natural woods vary in color and grain pattern and exhibit color change over time. Cabinets may darken or lighten with age due to exposure to certain environmental conditions including but not limited to sunlight, moisture, household cleaners, smoke, etc. These variations are considered the natural characteristics of the material and are not covered under this warranty.

In the event of a warranted product performance issue, submit request including proof of purchase documentation, specific description of warranty issue (include photos where possible) in writing to:

Warranty Department  
210 Century Boulevard  
Bartow, FL 33830

EXCEPT TO THE EXTENT PROVIDED BY APPLICABLE LAW, ALL IMPLIED WARRANTIES, INCLUDING WARRANTIES OF MERCHANTABILITY AND FITNESS FOR A PARTICULAR PURPOSE, ARE LIMITED IN DURATION TO THE SHORTER OF THE PERIOD PROVIDED BY LAW OR THE PERIOD OF THIS WARRANTY, AND UNDER NO CIRCUMSTANCE SHALL ALL WOOD BE LIABLE FOR INCIDENTAL OR CONSEQUENTIAL DAMAGES SUSTAINED IN CONNECTION WITH THE PRODUCT. THE EXPRESS WARRANTY ABOVE CONSTITUTES THE ENTIRE WARRANTY AND IS IN LIEU OF ALL OTHERS EXPRESSED OR IMPLIED.

Some states do not allow the exclusion or limitation of incidental or consequential damages, or limitation on how long an implied warranty lasts, therefore, the above limitations or exclusions may not apply to you. This warranty gives you specific legal rights, and you may also have other rights, which vary from state to state.

### INDEMNITY

All Wood shall not be liable for either its failure to perform or its delays in performance hereunder arising out of or resulting from causes beyond its control, including but not limited to, acts of God, acts of Representation, acts of Government, wars, fires, floods, epidemics, quarantine, strike, freight embargoes, weather or default by suppliers due to any such causes.

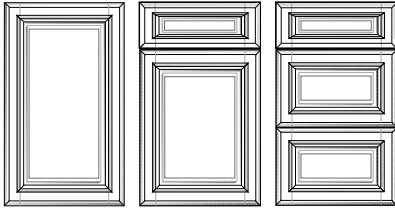


## Table of Contents

Full Overlay Door Styles .....	2-4
Full Overlay Cabinet Construction .....	5
Cabinet Customization Options .....	6
Wall Cabinets & Accessories.....	7-14
<i>(includes blind corners, angled corners, microwave shelf, wine rack, range hoods)</i>	
Cabinet Accent Lighting .....	15
Base Cabinets & Accessories .....	16-25
<i>(includes cooktops, pantry pullouts, filler pullouts, tray dividers, tilt-out trays, sink liners)</i>	
Tall Cabinets & Accessories .....	26-30
<i>(includes oven cabinets, cabinets with roll-out trays)</i>	
Vanity Cabinets & Accessories.....	31-35
<i>(includes drawer cabinets, sink base, sink base liners, wall cabinets)</i>	
Decorative Molding .....	36-37
<i>(includes crowns, dentil, rope, light rails, valances corners, spindles, corbels)</i>	
Decorative Hardware.....	38-39
<i>(includes handles, knobs &amp; cups)</i>	
Cabinet Frame & Opening Dimensions .....	40-42
Cabinet Front Only Availability Guide.....	43

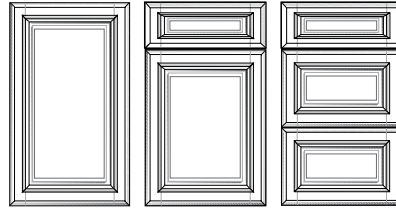
# Square Raised Panel with Applied Molding Door Styles (Full Overlay)

## Haven Biscuit Glaze (HBG)



- 3/4" thick solid MDF frame wall and base doors with solid MDF raised center panels and 1" wide applied accent molding
- 3/4" thick solid MDF frame drawer fronts with solid MDF raised center panels and 1" wide applied accent molding
- Fully concealed hinges
- Available in Biscuit Glaze finish
- Decorative hardware required

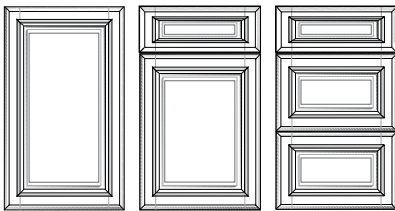
## Springfield Mocha (SMG)



- 3/4" thick solid birch frame wall and base doors with solid birch raised center panels and 1" wide applied accent molding
- 3/4" thick solid birch frame drawer fronts with solid birch raised center panels and 1" wide applied accent molding
- Fully concealed hinges
- Available in Mocha stain finish
- Decorative hardware required

**NEW!**

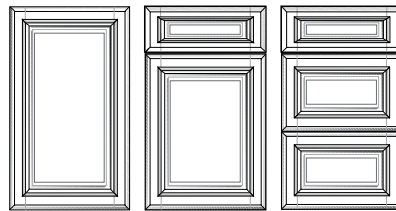
## Cambridge Polar White (CPW)



- 3/4" thick solid MDF frame wall and base doors with solid MDF raised center panels and 1" wide applied accent molding
- 3/4" thick solid MDF frame drawer fronts with solid MDF raised center panels and 1" wide applied accent molding
- Fully concealed hinges
- Available in Polar White painted finish
- Decorative hardware required

**NEW!**

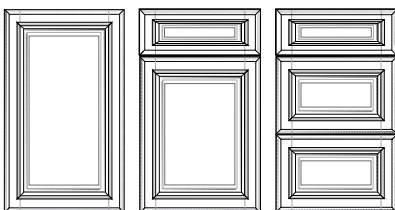
## Dorchester Cinnamon (DCN)



- 3/4" thick solid birch frame wall and base doors with solid birch raised center panels and 1" wide applied accent molding
- 3/4" thick solid birch frame drawer fronts with solid birch raised center panels and 1" wide applied accent molding
- Fully concealed hinges
- Available in Cinnamon stain finish
- Decorative hardware required

**NEW!**

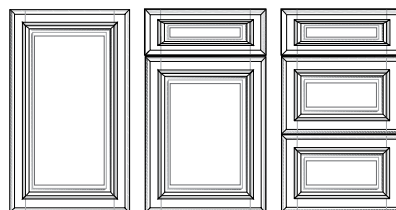
## Princeton Cabernet (PCB)



- 3/4" thick solid birch frame wall and base doors with solid birch raised center panels and 1" wide applied accent molding
- 3/4" thick solid birch frame drawer fronts with solid birch raised center panels and 1" wide applied accent molding
- Fully concealed hinges
- Available in Cabernet stain finish
- Decorative hardware required

**NEW!**

## Chelsea Toffee Glaze (CTG)

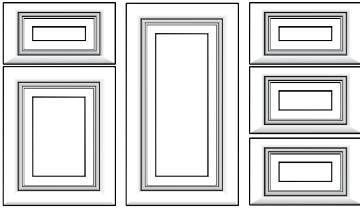


- 3/4" thick solid birch frame wall and base doors with solid birch raised center panels and 1" wide applied accent molding
- 3/4" thick solid birch frame drawer fronts with solid birch raised center panels and 1" wide applied accent molding
- Fully concealed hinges
- Available in hand-brushed Toffee Glaze finish
- Decorative hardware required

**NEW!**

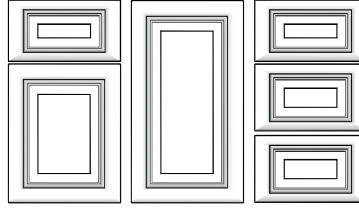
# Square Raised Panel Miter Frame Door Styles (Full Overlay)

## Langston Cinnamon (LCN)



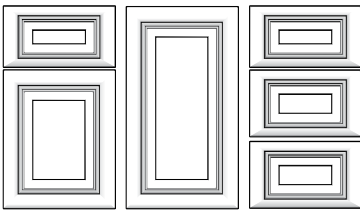
- 3/4" thick solid birch 2 3/4" wide 'pillow top' miter frame wall and base doors with solid birch raised center panels
- 3/4" thick solid birch 2 3/4" wide 'pillow top' miter frame drawer fronts with solid birch raised center panels. 8" high top drawer fronts feature a 2" wide miter frame.
- Fully concealed hinges
- Available in Cinnamon stain finish
- Decorative hardware required

## Lexington Cabernet (LCB)



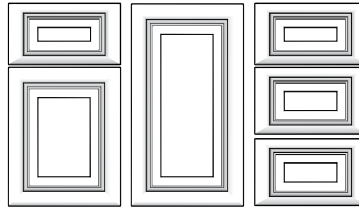
- 3/4" thick solid birch 2 3/4" wide 'pillow top' miter frame wall and base doors with solid birch raised center panels
- 3/4" thick solid birch 2 3/4" wide 'pillow top' miter frame drawer fronts with solid birch raised center panels. 8" high top drawer fronts feature a 2" wide miter frame.
- Fully concealed hinges
- Available in Cabernet stain finish
- Decorative hardware required

## Lancaster Toffee Glaze (LTG)



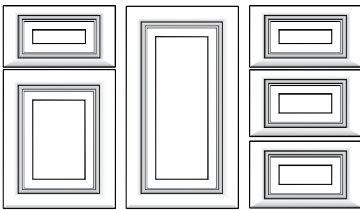
- 3/4" thick solid birch 2 3/4" wide 'pillow top' miter frame wall and base doors with solid birch raised center panels
- 3/4" thick solid birch 2 3/4" wide 'pillow top' miter frame drawer fronts with solid birch raised center panels. 8" high top drawer fronts feature a 2" wide miter frame.
- Fully concealed hinges
- Available in hand-brushed Toffee Glaze finish
- Decorative hardware required

## Ridgeway Mocha (RMG)



- 3/4" thick solid birch 2 3/4" wide 'pillow top' miter frame wall and base doors with solid birch raised center panels
- 3/4" thick solid birch 2 3/4" wide 'pillow top' miter frame drawer fronts with solid birch raised center panels. 8" high top drawer fronts feature a 2" wide miter frame.
- Fully concealed hinges
- Available in Mocha stain finish
- Decorative hardware required

## Brighton Polar White (BPW)



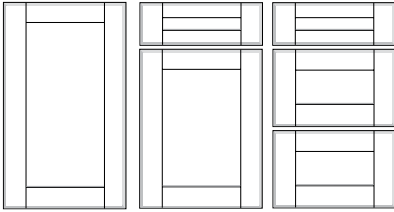
- 3/4" thick solid MDF 2 3/4" wide 'pillow top' miter frame wall and base doors with solid MDF raised center panels
- 3/4" thick solid MDF 2 3/4" wide 'pillow top' miter frame drawer fronts with solid MDF raised center panels. 8" high top drawer fronts feature a 2" wide miter frame.
- Fully concealed hinges
- Available in Polar White painted finish
- Decorative hardware required

**NEW!**

*FULL Overlay cabinetry is constructed from various pieces of solid wood and wood veneers or white PVC on plywood. Differences in grain pattern and color should be expected. Color differences in wood are the result of variations in minerals found in the soil native to the tree's origin. Absorption of these minerals will vary by tree or parts of said tree. In addition, color changes can be experienced due to different exposure to light. All species of wood will display characteristics such as knots, pinholes, sap runs, mineral streaks and darkening with age. It is the natural beauty of wood to exhibit these characteristics and they will be present throughout your cabinetry. Our Toffee Glaze finish features hand applied glaze applied over the base stain which accentuates the door and drawer front profiles. This glazing, combined with occasional fly specks, dents, drips and runs is random and intentional in design to mimic the look of distressed furniture. The Arctic White and Polar White finished product features solid wood painted face frames. As with any painted wood surface, expansion and contraction with changes in climate may cause fractures in the paint surface at joints. This is an acceptable characteristic and will vary based on climate conditions. In addition, there may be a slight color shift over time due to continued exposure to both natural and artificial light.*

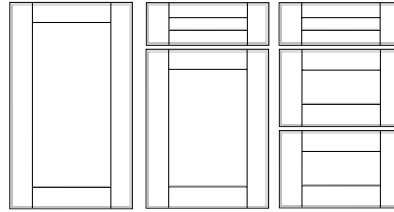
## Shaker Square Recessed Panel Door Styles (Full Overlay)

### Hawthorne Cinnamon (HCN)



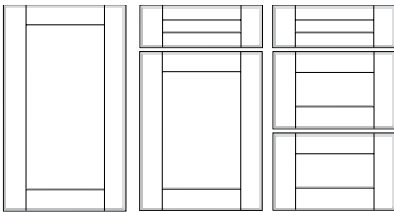
- 3/4" thick solid birch 3" wide Shaker frame wall and base doors with birch veneer recessed center panels
- 3/4" thick solid birch 3" wide Shaker frame drawer fronts with birch veneer recessed center panels
- Fully concealed hinges
- Available in Cinnamon stain finish
- Decorative hardware required

### Kenyon Cabernet (KCB)



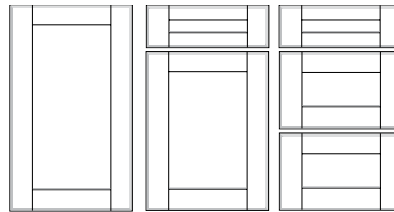
- 3/4" thick solid birch 3" wide Shaker frame wall and base doors with birch veneer recessed center panels
- 3/4" thick solid birch 3" wide Shaker frame drawer fronts with birch veneer recessed center panels
- Fully concealed hinges
- Available in Cabernet stain finish
- Decorative hardware required

### Fulton Mocha (FMG)



- 3/4" thick solid birch 3" wide Shaker frame wall and base doors with birch veneer recessed center panels
- 3/4" thick solid birch 3" wide Shaker frame drawer fronts with birch veneer recessed center panels
- Fully concealed hinges
- Available in Mocha stain finish
- Decorative hardware required

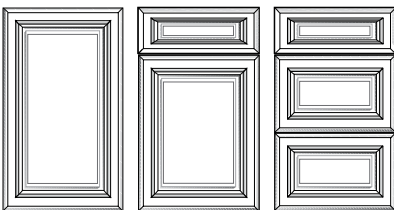
### Nantucket Polar White (NPW)



- 3/4" thick solid MDF 3" wide Shaker frame wall and base doors with 5/8" thick solid MDF recessed center panels
- 3/4" thick solid MDF 3" wide Shaker frame drawer fronts with 5/8" thick solid MDF recessed center panels
- Fully concealed hinges
- Available in Polar White paint finish
- Decorative hardware required

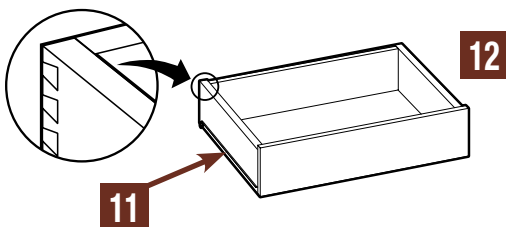
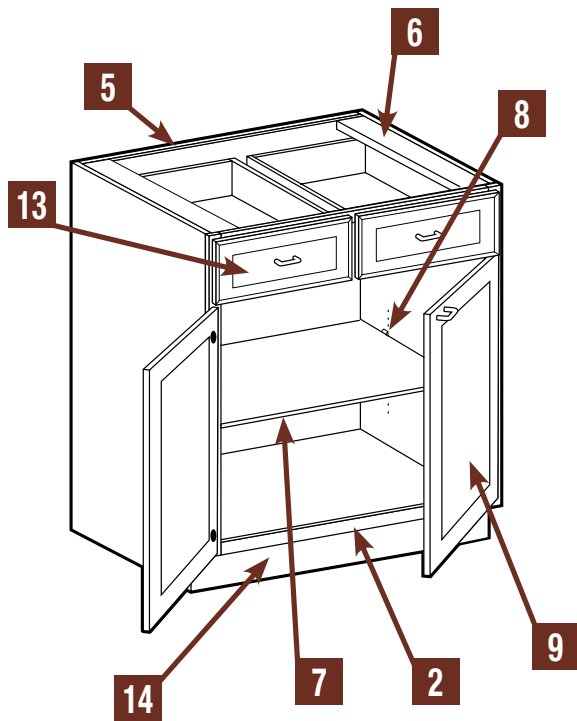
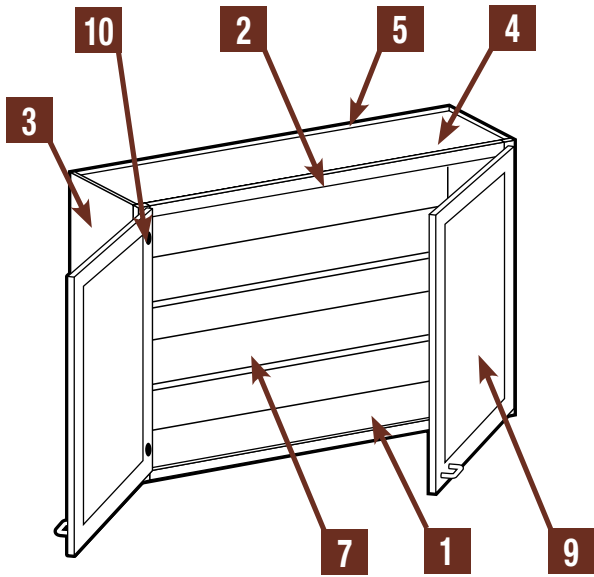
## Thermofoil Square Raised Panel Door Style (Full Overlay)

### Hamilton Arctic White (HAW)



- 3/4" thick, solid MDF raised panel vinyl clad wall and base doors
- 3/4" thick, solid MDF raised panel vinyl clad drawer fronts
- Fully concealed hinges
- Available in Arctic White Vinyl
- Decorative hardware required

# Full Overlay Cabinet Construction



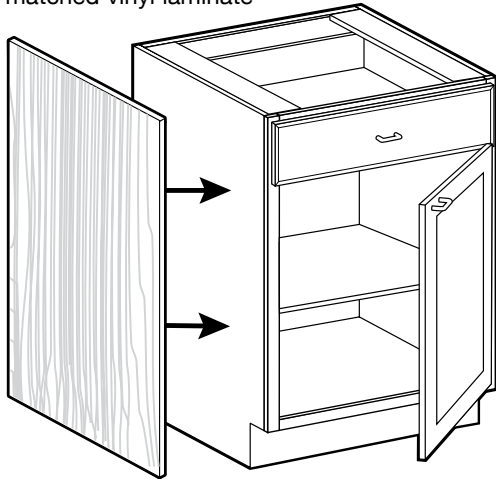
1	<b>INTERIOR</b>	Light stained birch veneer provides a durable, wipe clean finish
2	<b>FACE FRAME</b>	3/4" thick solid hardwood doweled and joint glued
3	<b>END PANELS</b>	1/2" thick CARB2 plywood with light stained birch veneer interior and raw veneer exterior. <b>*EXPOSED SIDES REQUIRE FINISHED END PANELS.</b>
4	<b>FLOOR &amp; CEILING</b>	1/2" thick CARB2 plywood with light stained birch veneer both sides captured by end panels
5	<b>BACK PANELS</b>	1/2" thick CARB2 plywood with natural birch veneer interior and raw veneer exterior.
6	<b>"I-BEAM" SUPPORTS</b>	1/2" thick CARB2 plywood, full depth braces provide stability and support for countertop attachment
7	<b>ADJUSTABLE SHELVES</b>	3/4" thick CARB2 plywood with natural birch veneer both sides with matching edgebanding. Base and wall adjustable shelves are full depth.
8	<b>SHELF SUPPPORTS</b>	Clear, high strength plastic with locking top tab to prevent shelf tip. Provides easy shelf adjustment.
9	<b>DOORS</b>	Full overlay doors available in stained hardwoods or MDF. <b>SOFT CLOSE DOOR OPTION AVAILABLE. CONSULT PAGE 6 FOR DETAILS.</b>
10	<b>HINGES</b>	Fully concealed, 110° opening featuring multiple adjustments for ease of alignment.
11	<b>RUNNERS/ GLIDES</b>	Drawers and roll-out trays have epoxy coated, under-mount suspension system with 75 lb. load capacity and smooth closing operation. <b>FULL EXTENSION SOFT CLOSE (FX) OPTION IS AVAILABLE. SEE PAGE 6 FOR DETAILS.</b>
12	<b>DRAWERS &amp; ROLL-OUT TRAYS</b>	5/8" thick solid birch hardwood, four-sided dovetail with 1/4" thick captured plywood floor, all finished with clear top coat to coordinate with cabinet interior.
13	<b>DRAWER FRONTS</b>	Stylish full overlay drawer fronts available in solid hardwood or MDF.
14	<b>INTEGRAL TOE KICK</b>	1/2" thick plywood secured between end panels. Provides solid backing for installation of Matching Toe Kick (MTK8) or other materials such as ceramic, vinyl, etc.



Specifications subject to change without notice.

## FACTORY FINISHED ENDS

- Cabinets are manufactured with an unfinished wood veneer exterior. Exposed sides (visible once installation is complete) require a color matched end panel.
- Factory Finished Ends are available for all standard cabinets
- Specify Left Side, Right Side or Both
- Finished Ends are wood veneer plywood, in a color matched stain or paint finish
- HAW Finished Ends are plywood faced with a color matched vinyl laminate



### ALTERNATIVE OPTIONS:

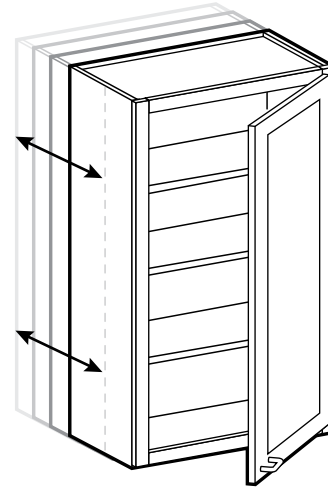
V-Groove Skin\* - Order separately for field installation  
 Matching End Panel - Order separately for field installation

\*Available in all styles except HAW

## CUSTOM DEPTH



- Available on standard cabinet types in 1" depth increments
- \* Standard base cabinets with top drawers 15" to 23" deep will include working drawers. 9" to 14" deep cabinets will have no drawer and a false drawer front.



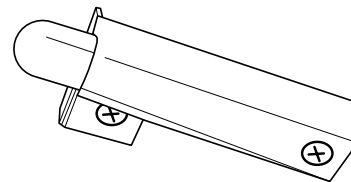
### CABINET TYPE

### CUSTOM DEPTH MIN - MAX

12" deep Wall Cabinets	5" to 15"
24" deep Wall Cabinets	16" to 23"
Standard Base Cabinets	9" to 23"*
Base Drawer Cabinets	15" to 23"
Tall Utility/Linen Cabinet	9" to 23"
21" deep Vanity Cabinets	9" to 23"

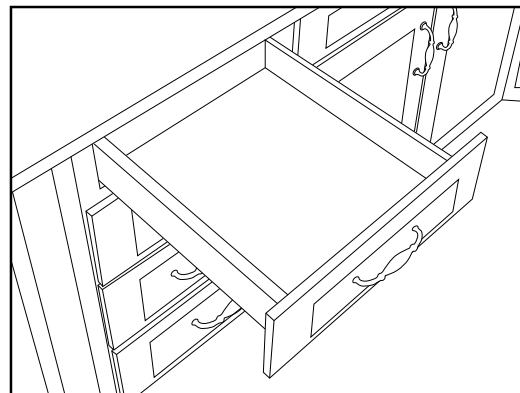
## SOFT CLOSE DOOR (SCD)

- Factory installed Soft Close door buffer
- Available for all standard cabinet doors (excluding EZR)
- **Entire order must be upgraded to SCD option**
- **Not available for CFOs**



## FULL EXTENSION SOFT CLOSE DRAWER RUNNERS (FX)

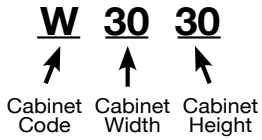
- Factory installed full-extension Soft Close runners
- Available for all standard drawers and drawer bases
- **Entire order must be upgraded to FX option**



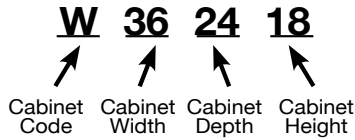


## WALL CABINET CODING

### STANDARD (12" DEEP)



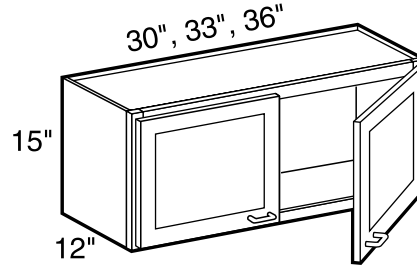
### REFRIGERATOR



#### SPECIAL NOTES:

- Standard wall cabinets are 12" deep. Refrigerator wall cabinets are 24" deep.
- Add door thickness for total cabinet depth
- Products are available in all door styles unless stated otherwise
- Standard cabinet exterior is unfinished veneer, exposed sides require Finished Ends or Matching End Panels

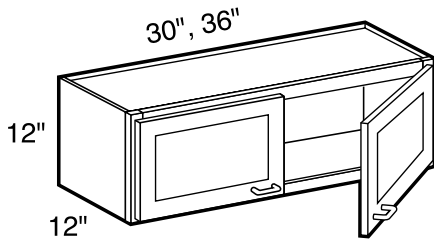
### 15" High Double Door



**W3015**  
**W3315**  
**W3615**

- No adjustable shelf
- CUSTOM DEPTH: 5" to 15" deep**

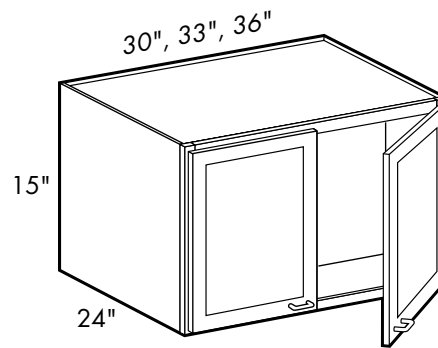
### 12" High Double Door



**W3012**  
**W3612**

- No adjustable shelf
- CUSTOM DEPTH: 5" to 15" deep**

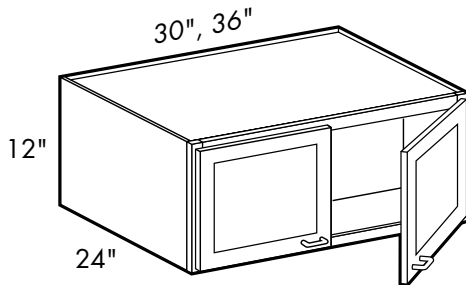
### 15" High x 24" Deep Double Door



**W302415**  
**W332415**  
**W362415**

- No adjustable shelf
- Must be installed between two cabinets, cabinet and wall, or supported by refrigerator panels (RP)
- CUSTOM DEPTH: 16" to 23" deep**

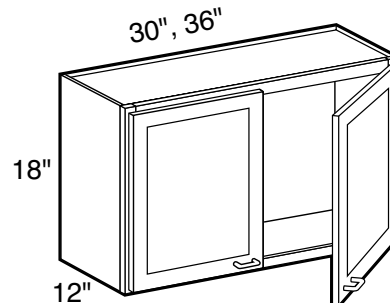
### 12" High x 24" Deep Double Door



**W302412**  
**W362412**

- No adjustable shelf
- Must be installed between two cabinets, cabinet and wall, or supported by refrigerator panels (RP)
- CUSTOM DEPTH: 16" to 23" deep**

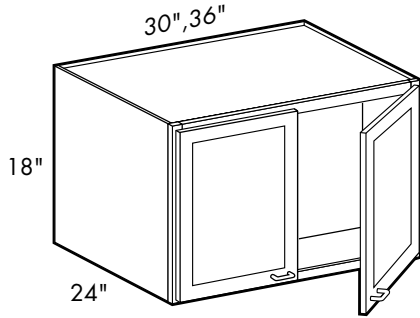
### 18" High Double Door



**W3018**  
**W3618**

- No adjustable shelf
- CUSTOM DEPTH: 5" to 15" deep**

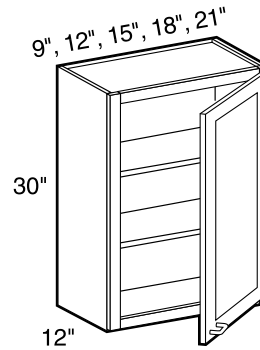
## 18" High x 24" Deep Double Door



**W302418**  
**W362418**

- No adjustable shelf
- Must be installed between two cabinets, cabinet and wall, or supported by refrigerator panels (RP)
- **CUSTOM DEPTH: 16" to 23" deep**

## 30" High Single Door

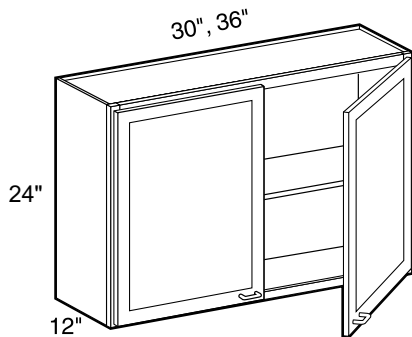


**SPECIFY**  
**RIGHT or LEFT HINGED**

**W0930**  
**\*W1230**  
**\*W1530**  
**\*W1830**  
**W2130**

- Two adjustable shelves
- \* Mullion doors available in select styles. Consult availability guide on page 14.
- **CUSTOM DEPTH: 5" to 15" deep**

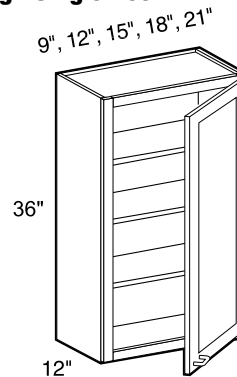
## 24" High Double Door



**W3024**  
**W3624**

- One adjustable shelf
- **CUSTOM DEPTH: 5" to 15" deep**

## 36" High Single Door

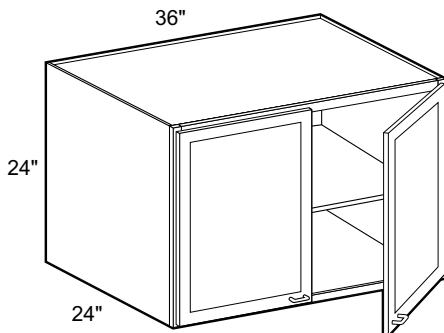


**SPECIFY**  
**RIGHT or LEFT HINGED**

**W0936**  
**\*W1236**  
**\*W1536**  
**\*W1836**  
**W2136**

- Three adjustable shelves
- \* Mullion doors available in select styles. Consult availability guide on page 14.
- **CUSTOM DEPTH: 5" to 15" deep**

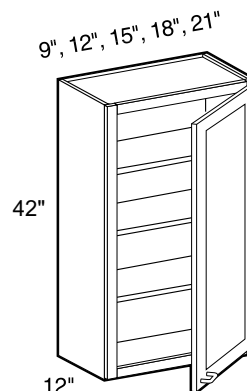
## 24" High x 24" Deep Double Door



**W302424**  
**W362424**

- One adjustable shelf
- Must be installed between two cabinets, cabinet and wall, or supported by refrigerator panels (RP)
- **CUSTOM DEPTH: 16" to 23" deep**

## 42" High Single Door

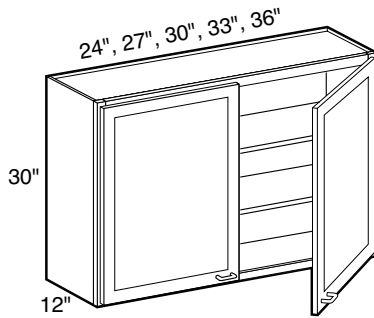


**SPECIFY**  
**RIGHT or LEFT HINGED**

**W0942**  
**\*W1242**  
**\*W1542**  
**\*W1842**  
**W2142**

- Three adjustable shelves
- \* Mullion doors available in select styles. Consult availability guide on page 14.
- **CUSTOM DEPTH: 5" to 15" deep**

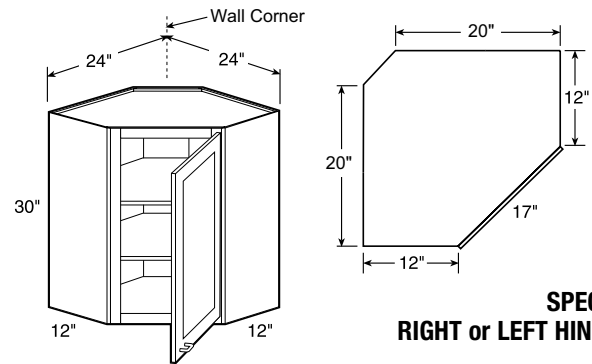
## 30" High Double Door



**\*W2430**  
**W2730**  
**\*W3030**  
**W3330**  
**\*W3630**

- Two adjustable shelves
- \* Mullion doors available in select styles. Consult availability guide on page 14.
- **CUSTOM DEPTH: 5" to 15" deep**

## 30" High Wall Angle

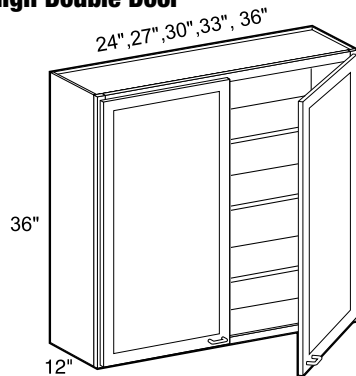


**SPECIFY  
 RIGHT or LEFT HINGED**

**\*WA2430**

- Two adjustable shelves
- \* Mullion doors available in select styles. Consult availability guide on page 14.
- Clip corner back provides clearance for installation

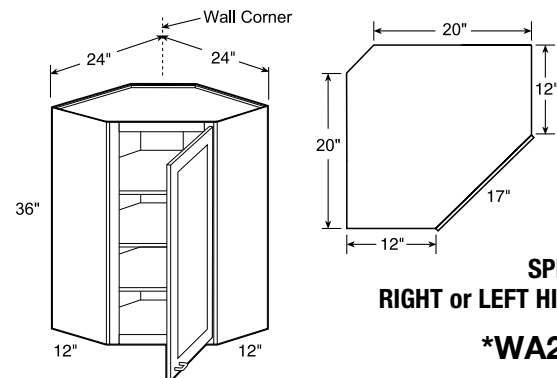
## 36" High Double Door



**\*W2436**  
**W2736**  
**\*W3036**  
**W3336**  
**\*W3636**

- Three adjustable shelves
- \* Mullion doors available in select styles. Consult availability guide on page 14.
- **CUSTOM DEPTH: 5" to 15" deep**

## 36" High Wall Angle

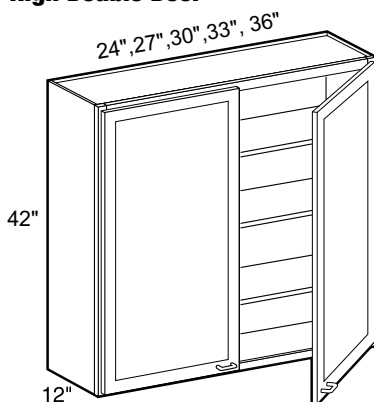


**SPECIFY  
 RIGHT or LEFT HINGED**

**\*WA2436**

- Three adjustable shelves
- \* Mullion doors available in select styles. Consult availability guide on page 14.
- Clip corner back provides clearance for installation

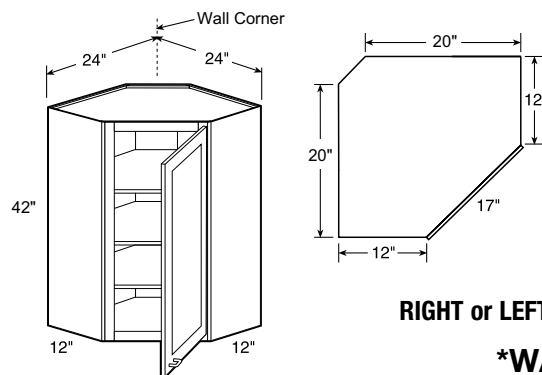
## 42" High Double Door



**\*W2442**  
**W2742**  
**\*W3042**  
**W3342**  
**\*W3642**

- Three adjustable shelves
- \* Mullion doors available in select styles. Consult availability guide on page 14.
- **CUSTOM DEPTH: 5" to 15" deep**

## 42" High Wall Angle

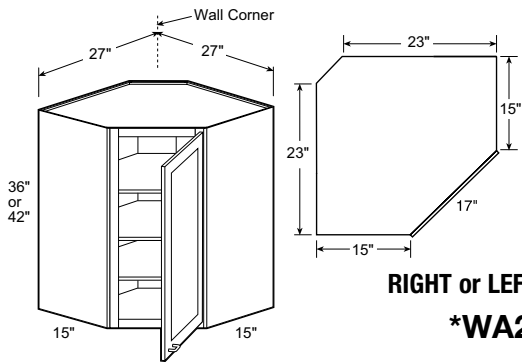


**SPECIFY  
 RIGHT or LEFT HINGED**

**\*WA2442**

- Three adjustable shelves
- \* Mullion doors available in select styles. Consult availability guide on page 14.
- Clip corner back provides clearance for installation

## 36" and 42" High x 15" Deep Wall Angle



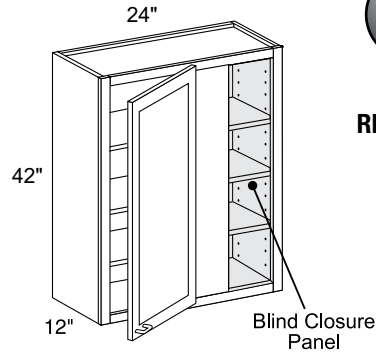
**SPECIFY  
RIGHT or LEFT HINGED**

**\*WA271536**

**\*WA271542**

- Three adjustable shelves
- \* Mullion doors available in select styles. Consult availability guide on page 14.
- Clip corner back provides clearance for installation

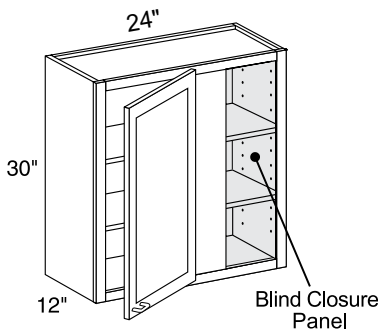
## 42" High Wall Blind Corner



**SPECIFY  
RIGHT or LEFT BLIND**

**WBCU2742**

- Three adjustable shelves
- Indicate R or L for blind side (right shown)
- Cabinet can be pulled for exact fit (see installation chart)
- 3" filler & 1/8" blind closure panel included
- **CUSTOM DEPTH: 5" to 15" deep**

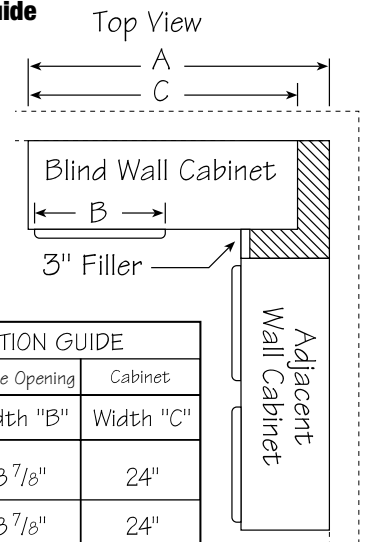


**SPECIFY  
RIGHT or LEFT BLIND**

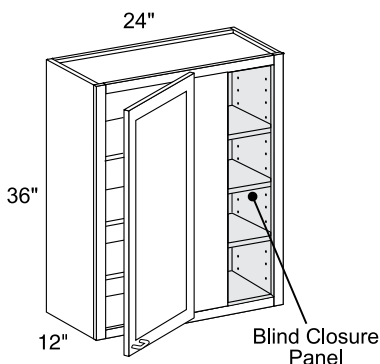
**WBCU2730**

- Two adjustable shelves
- Indicate R or L for blind side (right shown)
- Cabinet can be pulled for exact fit (see installation chart)
- 3" filler & 1/8" blind closure panel included
- **CUSTOM DEPTH: 5" to 15" deep**

## Blind Corner Installation Guide



BLIND WALL INSTALLATION GUIDE				
Cabinet	Wall Space "A"		Frame Opening	Cabinet
	Min	Max	Width "B"	Width "C"
WBCU2730	25"	30"	8 7/8"	24"
WBCU2742	25"	30"	8 7/8"	24"

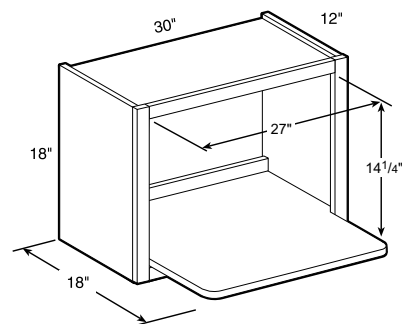


**SPECIFY  
RIGHT or LEFT BLIND**

**WBCU2736**

- Three adjustable shelves
- Indicate R or L for blind side (right shown)
- Cabinet can be pulled for exact fit (see installation chart)
- 3" filler & 1/8" blind closure panel included
- **CUSTOM DEPTH: 5" to 15" deep**

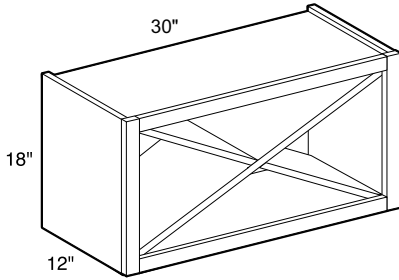
## Wall Microwave Shelf



**WMS301818**

- Matching interior and exterior standard
- Must be installed between two cabinets or cabinet and wall

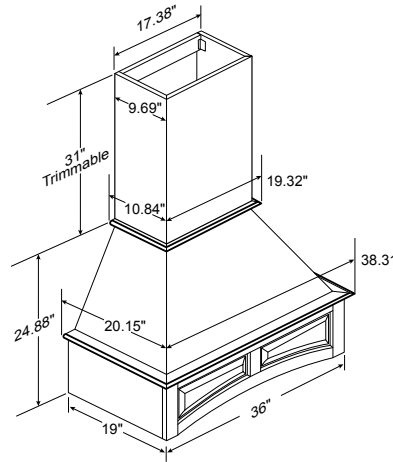
## 12" Deep Wine Rack



**WRX3018**

- Matching interior and exterior standard
- 3/4" thick solid wood "X" shelf
- Must be installed between two cabinets or cabinet and wall

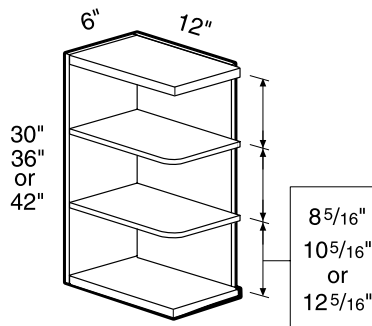
## Range Hood Combo - Arched Valance



**WRHC36A**

- Available in 36" width
- Includes Hood, Chimney, Hood Liner and Blower
- Chimney is trimmable to adjust the height
- Blower is 390 CFM, 6.0 sones, enclosed light
- Available in BG, CB and TG only
- Clearance of 3" on each side is recommended

## 12" Deep Wall End Open Shelf



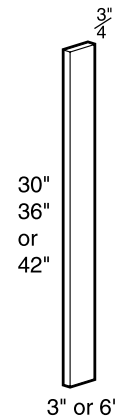
**WEOS630**

**WEOS636**

**WEOS642**

- Reversible, may be installed left or right
- \*1/4" thick wood veneer side is cut back to fit behind frame of adjacent cabinet
- 1 1/4" thick solid wood square corner top and bottom shelves
- 3/4" thick solid wood intermediate shelves

## Filler Strips



**FS30**

**FS36**

**FS42**

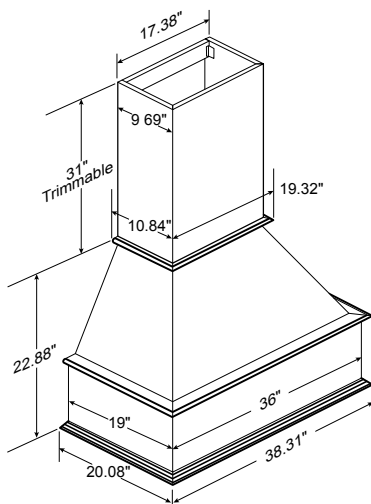
**FS630**

**FS636**

**FS642**

- 3/4" thick solid wood
- Face and all edges finished

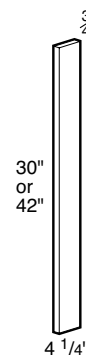
## Range Hood Combo - Straight Valance



**WRHC36S**

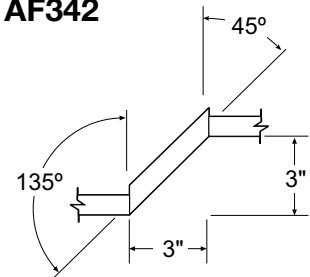
- Available 36" width
- Includes Hood, Chimney, Hood Liner and Blower
- Chimney is trimmable to adjust the height
- Blower is 390 CFM, 6.0 sones, enclosed light
- Available in CN, MG and PW only
- Clearance of 3" on each side is recommended

## Angle Fillers



**AF330**

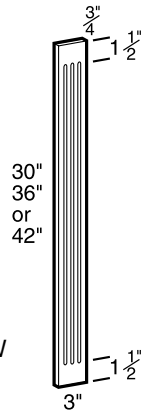
**AF342**



- 3/4" thick solid wood
- Face and all edges finished

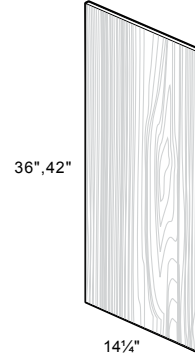
## Fluted Fillers

- 3/4" thick solid wood
- Face and all edges finished
- May be trimmed 1/2" each side
- Available in all styles except HAW



**FF330**  
**FF336**  
**FF342**

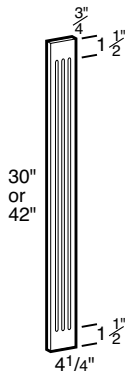
## 15" Wide Wall Skin



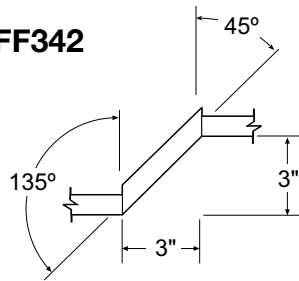
**WSK1536**  
**WSK1542**

- 3/16" thick plywood matching exterior
- Field modified and installed
- Available in all finishes
- AW is vinyl faced, all others are veneer faced

## Angle Fluted Fillers

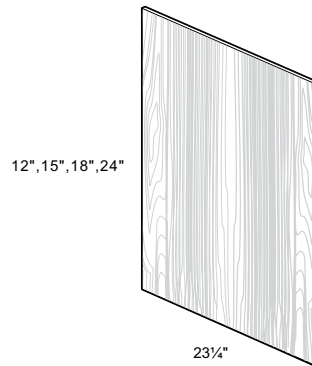


**AFF330**  
**AFF342**



- 3/4" thick solid wood
- Face and all edges finished
- Available in all styles except HAW

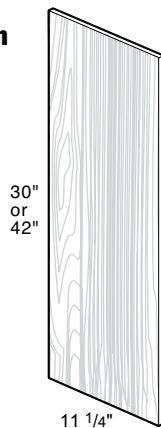
## 24" Wide Wall Skin



**WSK2412**  
**WSK2415**  
**WSK2418**  
**WSK2424**

- 3/16" thick plywood matching exterior
- Field modified and installed
- Available in all finishes
- AW is vinyl faced, all others are veneer faced

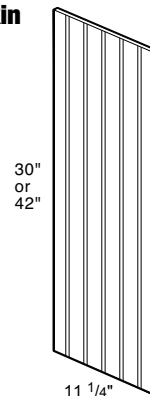
## 12" Wide Wall Skin



**WSK1212**  
**WSK1215**  
**WSK1218**  
**WSK1224**  
**WSK1230**  
**WSK1236**  
**WSK1242**

- 3/16" thick plywood matching exterior
- Field modified and installed
- Available in all finishes
- AW is vinyl faced, all others are veneer faced

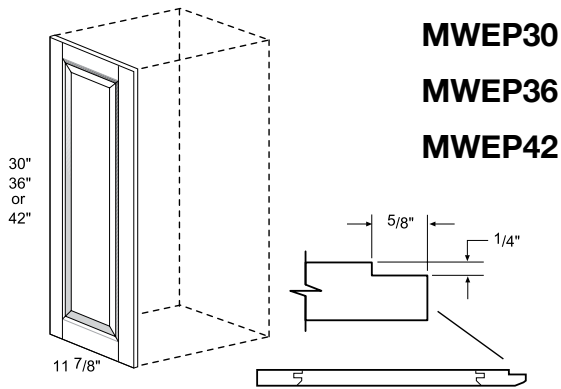
## Wall V-Groove Skin



**WVGSK30**  
**WVGSK42**

- 3/16" thick wood veneer v-groove exterior
- Grooves spaced 1 1/4" on center
- Field modified and installed
- Available in all finished except HAW

## Matching Wall End Panels



**MWEP30**

**MWEP36**

**MWEP42**

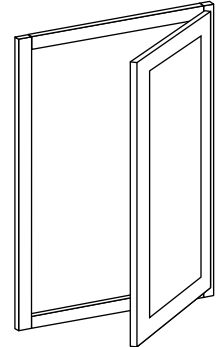
- 3/4" thick
- Field installation
- Panel is reversible & fits flush against end panel

## Cabinet Fronts Only (CFO)

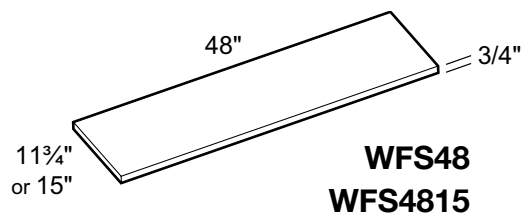
Most Wall cabinets can be ordered as "Cabinet Fronts Only". Face frame, doors, hinges and bumpers will be supplied and shipped loose.

Please consult CFO availability guide on page 43.

Soft Close Door (SCD) option not available for CFOs.



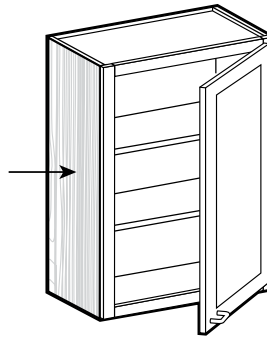
## Wood Furniture Shelf



**WFS48**  
**WFS4815**

- 3/4" plywood with veneer or white vinyl finish
- Two long sides edgebanded
- Available in all finishes

## Factory Finished End Panels



**WSK1212 L or R or Both**  
**WSK1215 L or R or Both**  
**WSK1218 L or R or Both**  
**WSK1224 L or R or Both**  
**WSK1230 L or R or Both**  
**WSK1236 L or R or Both**  
**WSK1242 L or R or Both**

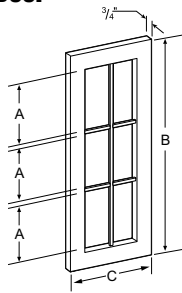
**WSK1536 L or R or Both**  
**WSK1542 L or R or Both**

**WSK2412 L or R or Both**  
**WSK2415 L or R or Both**  
**WSK2418 L or R or Both**

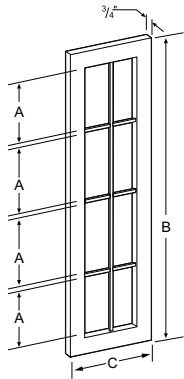
- Matching exterior
- Factory installed
- Specify Applied Left, Applied Right, or both
- Available in all finishes
- AW is vinyl faced all others are veneer faced

**PLEASE NOTE:** Line drawings are artistic representations of products for general dimensioning purposes. These should not be relied upon for accurate product appearance. Please consult the website or a designer if you have any questions or specific design requirements.

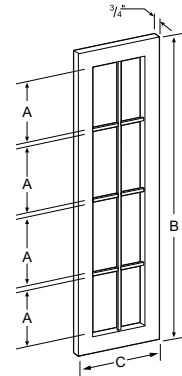
## Mullion Door



**MD1230  
MD1530  
MD1830**



**MD1236  
MD1536  
MD1836**

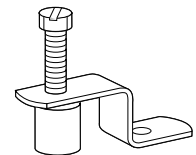


**MD1242  
MD1542  
MD1842**

## Mullion Door Specification, Availability & Usage Guide

MULLION DOOR SKU	DESCRIPTION	# OF LITES	DIMENSIONS (inches)			DESIGNED TO FIT THESE CABINETS	AVAILABILITY
			A	B	C		
MD1230	12x30 Mullion Door	6	8	29-11/16	11-11/16	W1230, W2430 (x2)	All Styles Except HAW
MD1530	15x30 Mullion Door	6	8	29-11/16	14-11/16	W1530, WA2430, W3030 (x2)	All Styles Except HAW
MD1830	18x30 Mullion Door	6	8	29-11/16	17-11/16	W1830, W3630 (x2)	All Styles Except HAW
MD1236	12x36 Mullion Door	8	7-1/2	35-11/16	11-11/16	W1236, W2436 (x2)	All Styles Except HAW
MD1536	15x36 Mullion Door	8	7-1/2	35-11/16	14-11/16	W1536, WA2436, WA271536, W3036 (x2)	All Styles Except HAW
MD1836	18x36 Mullion Door	8	7-1/2	35-11/16	17-11/16	W1842, W3642	All Styles Except HAW
MD1242	12x42 Mullion Door	8	8-3/4	41-11/16	11-11/16	W1242, W2442 (x2)	All Styles Except HAW
MD1542	15x42 Mullion Door	8	8-3/4	41-11/16	14-11/16	W1542, WA2442, WA271542, W3042 (x2)	All Styles Except HAW
MD1842	18x42 Mullion Door	8	8-3/4	41-11/16	17-11/16	W1842, W4242	All Styles Except HAW

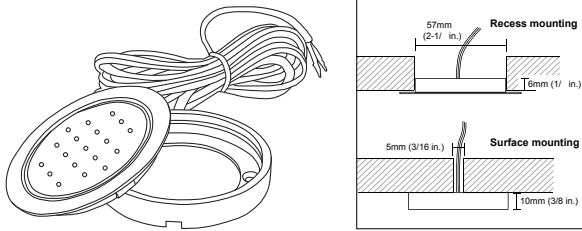
- 3/4" door frame with outside profile matching selected door style
- Frame rout accepts various thickness decorative glass
- Mullion doors are slightly smaller in width than standard full overlay doors. When used in double door applications (24", 30" & 36" wide cabinets), hinge spacers are included to insure proper door alignment.
- **Glass is NOT included and must be supplied by customer. Tempered glass is recommended.**
- Local glass shops have extensive glass offerings in clear, frosted, seedy and custom leaded
- Glass insert clips included for field installation





## 1.5W Pockit Plus LED Light

**L1.5POK**



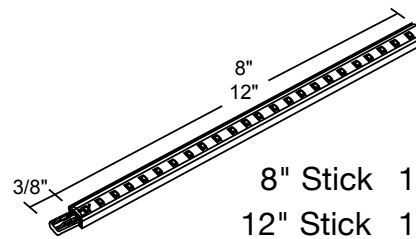
Recess or Surface Mounting

- 5000K Cool Puck style light can be installed inside or under wall or base cabinets
- Can be surface mounted or recessed into 2 1/4" diameter
- Each light comes with one 79" Starter Cord
- Starter cord for each Pockit light must be run back to power supply. 72" extension cord available.
- Pockit lights CANNOT be linked together

## Fineline LED Stick Light 8" & 12" Lengths

**L08STK**

**L12STK**



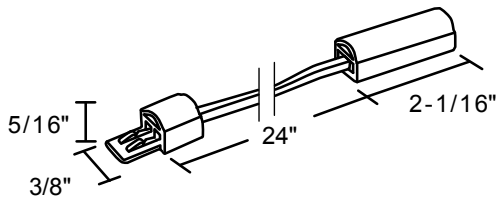
8" Stick 12V 2.4W **L08STK**

12" Stick 12V 1.6W **L12STK**

- 5000K Cool Light
- Stick lights can be installed inside or under wall and base cabinets
- Each light comes with one 79" Starter Cord, one AMP Connector and two easy mount U-clips
- Stick lights can be linked together directly or with 24" Linking Cord or 72" Extension Cord
- Maximum continuous run: 12'
- Maximum per power supply: 24'

## 24" Linking Cord

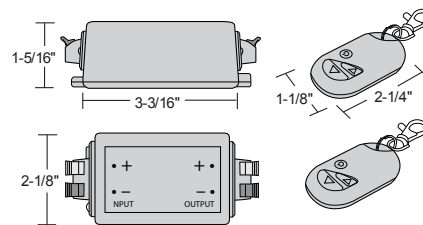
**L24LNK**



- Use to link multiple Fineline stick lights in a continuous run
- Maximum continuous run: 12'

## Universal Remote Control Dimmer

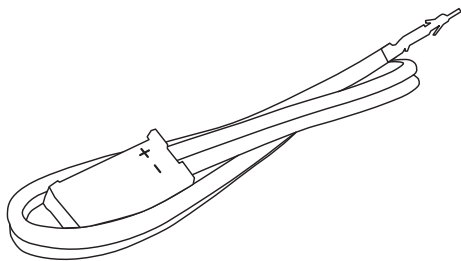
**L96RCD**



- Controls up to 8 Amps/96W of LED lighting
- Connects between power supply and light mount blocks
- Dims lights from 1%-100%
- Includes (2) Universal remote controls which control multiple dimmers in a room, up to 30' away
- Built-in memory recalls last setting when turned on

## 72" Starter Extension Cord

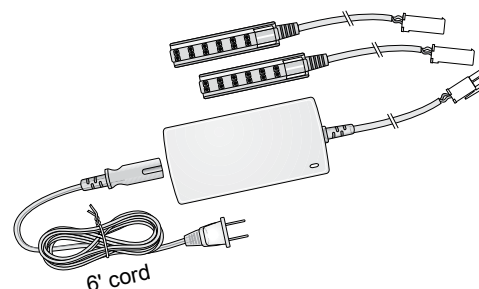
**L72SEC**



- 72" Starter or Extension Cord
- Used to extend Starter Cords or to link Stick Lights

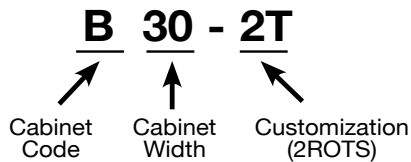
## 60W Power Supply 12V DC

**L60PWR**



- 60W 12V DC power unit with 6' power cord
- Includes two 6-slot Mounting Blocks for easy snap-in light cord connection
- Maximum continuous run: 12'
- Maximum per power supply: 24'

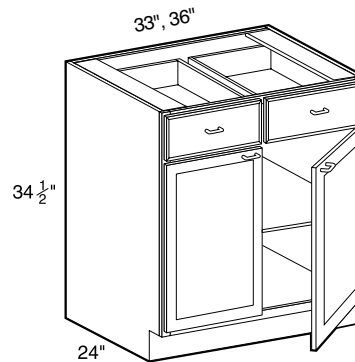
## BASE CABINET CODING



### SPECIAL NOTES:

- Standard Base Cabinets are 24" deep and 34½" high
- Desk Height base cabinets are 21" deep and 28½" high
- Add door thickness for total cabinet depth
- Products are available in all door styles unless stated otherwise
- Standard cabinet exterior is unfinished veneer, exposed sides require Finished Ends or Matching End Panels

### 24" Deep Double Door

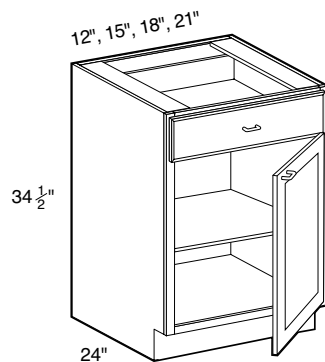


**B33**

**B36**

- One full depth adjustable shelf
- **CUSTOM DEPTH: 9" to 23" deep (9" to 14" deep options have false front & no drawer)**

### 24" Deep Single Door



**SPECIFY  
RIGHT or LEFT HINGED**

**B12**

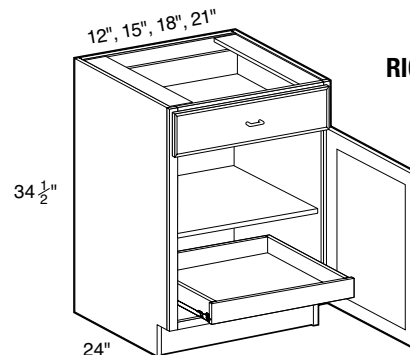
**B15**

**B18**

**B21**

- One full depth adjustable shelf
- **CUSTOM DEPTH: 9" to 23" deep (9" to 14" deep options have false front & no drawer)**

### 24" Deep Single Door with 1 Roll-Out Tray



**SPECIFY  
RIGHT or LEFT HINGED**

**B12-1T**

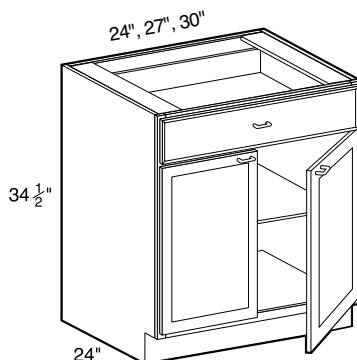
**B15-1T**

**B18-1T**

**B21-1T**

- One full depth adjustable shelf
- One adjustable, full width roll-out tray

### 24" Deep Double Door



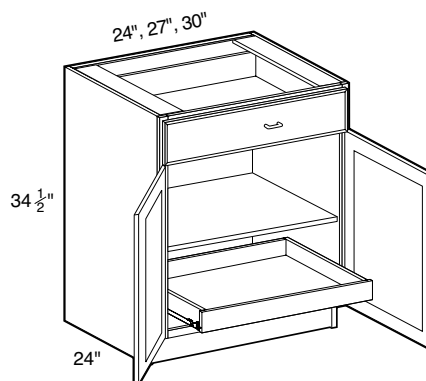
**B24**

**B27**

**B30**

- One full depth adjustable shelf
- **CUSTOM DEPTH: 9" to 23" deep (9" to 14" deep options have false front & no drawer)**

### 24" Deep Double Door with 1 Roll-Out Tray



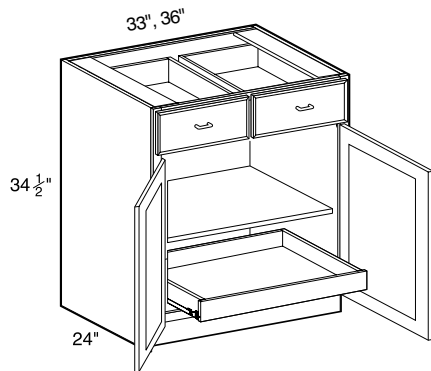
**B24-1T**

**B27-1T**

**B30-1T**

- One full depth adjustable shelf
- One adjustable, full width roll-out tray

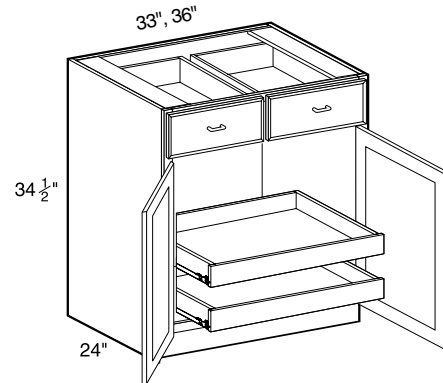
## 24" Deep Double Door with 1 Roll-Out Tray



**B33-1T**  
**B36-1T**

- One full depth adjustable shelf
- One adjustable, full width roll-out tray

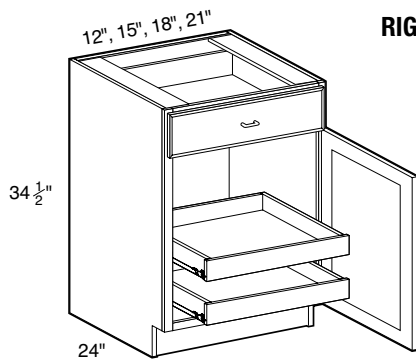
## 24" Deep Double Door with 2 Roll-Out Trays



**B33-2T**  
**B36-2T**

- Two adjustable, full width roll-out trays

## 24" Deep Single Door with 2 Roll-Out Trays



**SPECIFY**  
**RIGHT or LEFT HINGED**

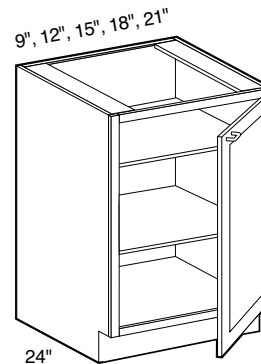
**B12-2T**  
**B15-2T**  
**B18-2T**  
**B21-2T**

- Two adjustable, full width roll-out trays

## 24" Deep Single Full Height Door



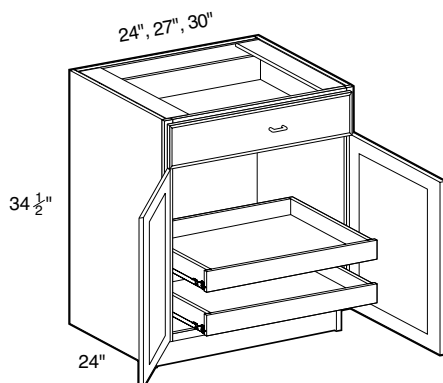
**SPECIFY**  
**RIGHT or LEFT HINGED**



**B09FH**  
**B12FH**  
**B15FH**  
**B18FH**  
**B21FH**

- Two full depth adjustable shelves
- **CUSTOM DEPTH: 9" to 23" deep**

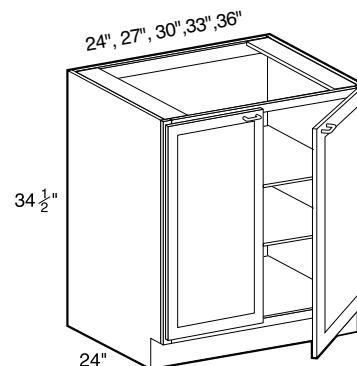
## 24" Deep Double Door with 2 Roll-Out Trays



**B24-2T**  
**B27-2T**  
**B30-2T**

- Two adjustable, full width roll-out trays

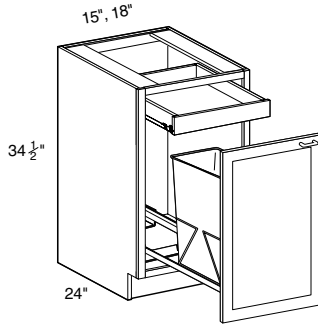
## 24" Deep Double Full Height Door



**B24FH**  
**B27FH**  
**B30FH**  
**B33FH**  
**B36FH**

- Two full depth adjustable shelves
- **CUSTOM DEPTH: 9" to 23" deep**

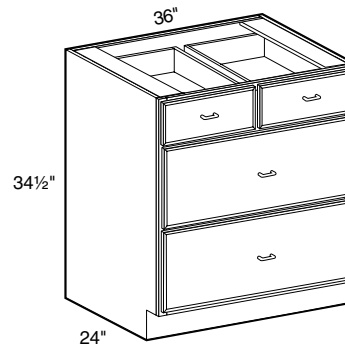
## 24" Deep Base Single Wastebasket



**B1WB15**  
**B1WB18**

- Basket slides on heavy duty, full extension runners
- 35 quart capacity plastic basket is secured by epoxy coated white wire "cage"
- White basket is removable
- Basket dimensions: 14"W x 10"D x 18"H
- Top mount roll-out tray for trash bag storage

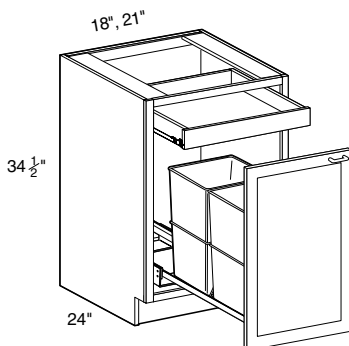
## 24" Deep Base - 4 Drawers



**BD36**

- Two standard top drawers
- Two deep drawers
- **CUSTOM DEPTH: 15" to 23" deep**

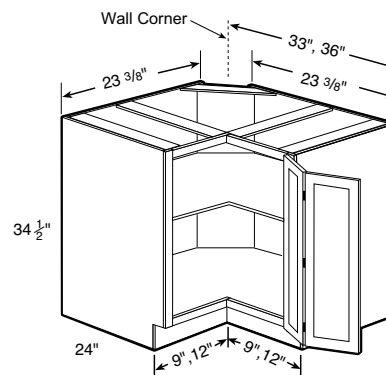
## 24" Deep Base Double Wastebasket



**B2WB18**  
**B2WB21**

- Baskets slide on heavy duty, full extension runners
- 27 quart capacity plastic baskets (2) are secured by epoxy coated white wire "cage"
- White baskets are removable
- Basket dimensions: 11"W x 11"D x 18"H
- Top mount roll-out tray for trash bag storage

## 33" and 36" Easy Reach

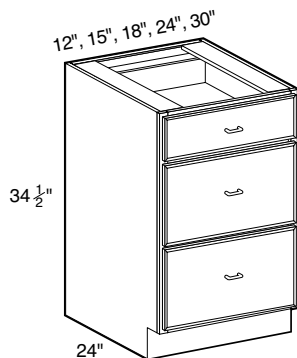


**SPECIFY**  
**RIGHT or LEFT HINGED**

**EZR33**  
**EZR36**

- One full depth "L" shaped shelf
- Doors open 170 degrees for easy access
- **SOFT CLOSE DOOR (SCD) OPTION NOT AVAILABLE**

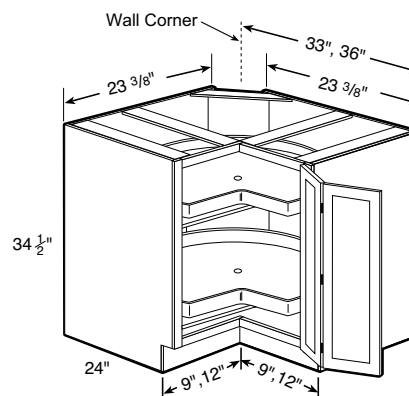
## 24" Deep Base - 3 Drawers



**BD12**  
**BD15**  
**BD18**  
**BD24**  
**BD30**

- One standard top drawer
- Two deep drawers
- **CUSTOM DEPTH: 15" to 23" deep**

## 33" and 36" Easy Reach Super Suzan

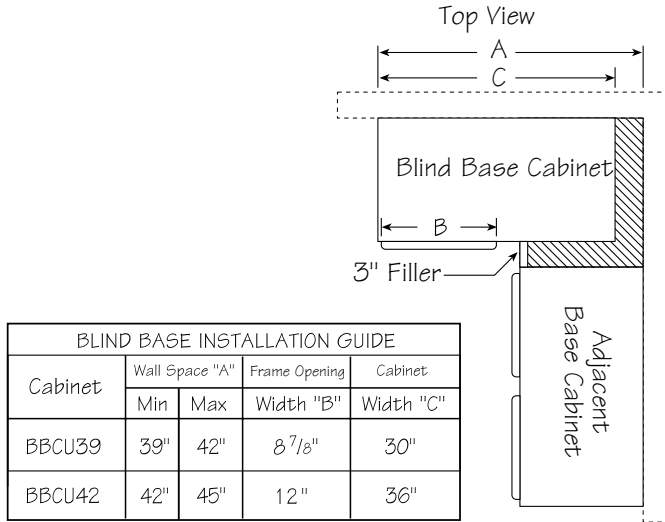


**SPECIFY**  
**RIGHT or LEFT HINGED**

**EZR33SS**  
**EZR36SS**

- Two 26" or 28" diameter, pie-cut independently revolving all wood shelves
- Doors open 170 degrees for easy access
- **SOFT CLOSE DOOR (SCD) OPTION NOT AVAILABLE**

## Blind Base Corner Installation

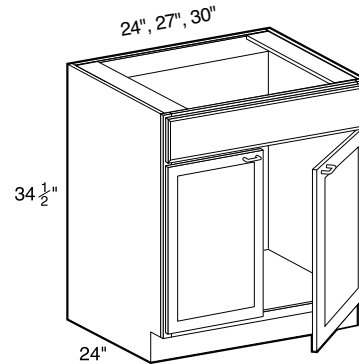


BLIND BASE INSTALLATION GUIDE				
Cabinet	Wall Space "A"		Frame Opening	Cabinet
	Min	Max	Width "B"	Width "C"
BBCU39	39"	42"	8 7/8"	30"
BBCU42	42"	45"	12"	36"

## 24" Deep Sink Base



**CUSTOM DEPTH**



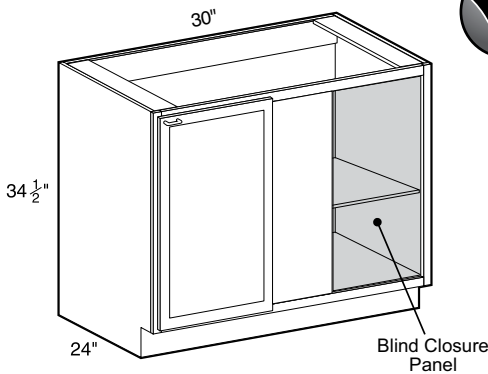
**SB24  
SB27  
SB30**

- No shelf, false drawer front
- May also be used as drop-in cooktop base
- **CUSTOM DEPTH: 9" to 23" deep**

## 24" Deep Blind Base Corner



**CUSTOM DEPTH**



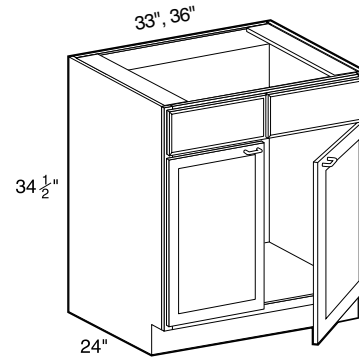
**SPECIFY  
RIGHT or  
LEFT BLIND  
BBCU39**

- Indicate R or L for blind side (right shown)
- Cabinet can be pulled for exact fit (see installation chart)
- 3" filler & 1/8" blind closure panel included
- **CUSTOM DEPTH: 9" to 23" deep**

## 24" Deep Sink Base



**CUSTOM DEPTH**



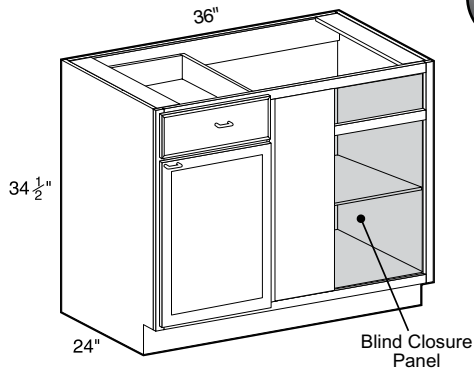
**SB33  
SB36**

- No shelf, two false drawer fronts
- May also be used as drop-in cooktop base
- **CUSTOM DEPTH: 9" to 23" deep**

## 24" Deep Blind Base Corner



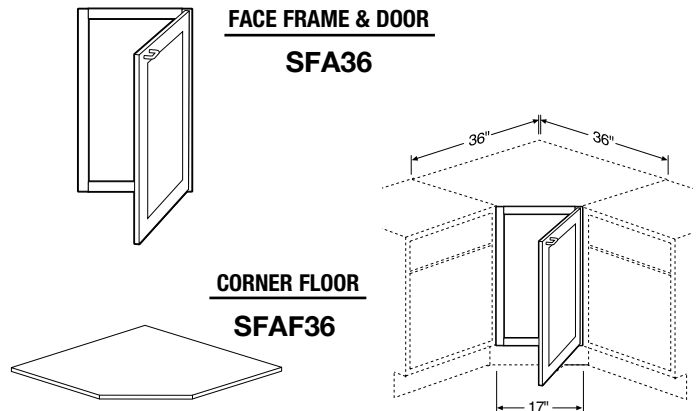
**CUSTOM DEPTH**



**SPECIFY  
RIGHT or  
LEFT BLIND  
BBCU42**

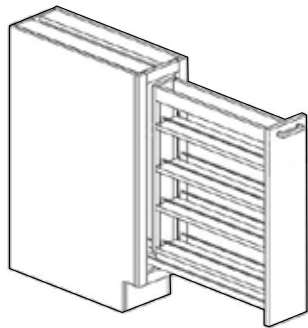
- Indicate R or L for blind side (right shown)
- Cabinet can be pulled for exact fit (see installation chart)
- 3" filler & 1/8" blind closure panel included
- **CUSTOM DEPTH: 9" to 23" deep (9" to 14" deep options have false front & no drawer)**

## Sink Front Angle



- Floor support and toe kick field constructed
- Face frame and door may be installed right or left
- Maximum sink width for this application 25 3/4"

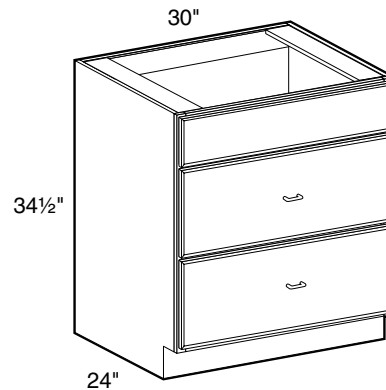
## 24" Deep Base Pantry Pullout



**BPPO9**  
**BPPO12**

- Available in 9" & 12" width cabinets
- Full extension ball bearing slides provide stable, smooth pullout function
- Adjustable shelves with chrome rails
- Available in all styles (except HAW)

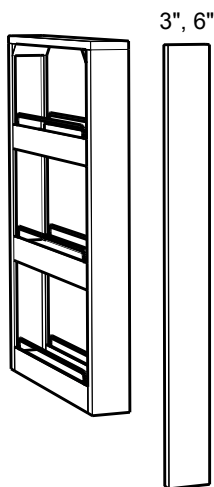
## 24" Deep Base Cooktop - Single False Front



**BCT30**

- False top drawer front
- Two deep drawers
- Accepts drop-in cooktop

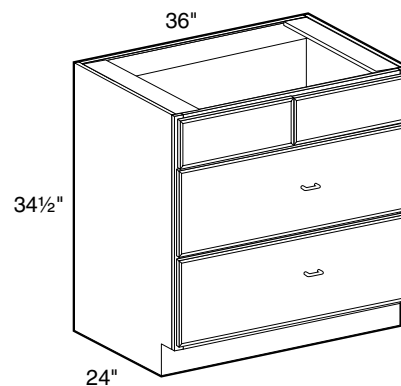
## 24" Deep Filler Pantry Pullout



**BFPO3**  
**BFPO6**

- Available in 3" & 6" widths with matching Filler Strip
- Full extension ball bearing slides provide stable, smooth pullout function
- Adjustable shelves with chrome rails
- Pull-out unit must be installed between two cabinets
- Filler strip attached to pull-out unit after installation
- Available in all styles (except HAW)

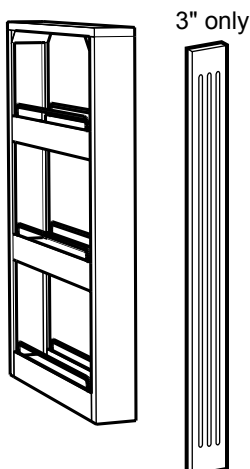
## 24" Deep Base Cooktop - Double False Front



**BCT36**

- False top drawer fronts
- Two deep drawers
- Accepts drop-in cooktop

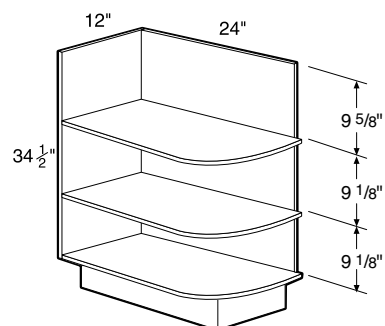
## 24" Deep Fluted Filler Pantry Pullout



**BFFPO3**

- Available in 3" width only with matching Fluted Filler Strip
- Full extension ball bearing slides provide stable, smooth pullout function
- Adjustable shelves with chrome rails
- Pull-out unit must be installed between two cabinets
- Fluted Filler Strip attached to pull-out unit after installation
- Available in all styles (except HAW)

## 24" Deep Base End Shelf

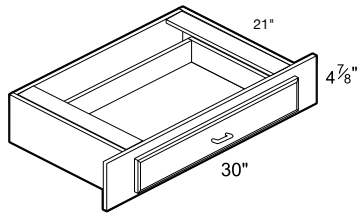


**SPECIFY  
RIGHT or LEFT  
(left shown)**

**BEOS12**

- 1/4" thick wood veneer side and 1/2" thick wood veneer back panel
- 3/4" thick solid wood shelves

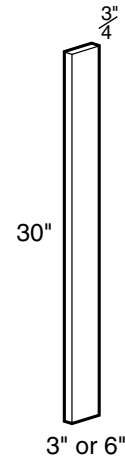
## 21" Deep Desk Knee Drawer



**DKD30**

- One full width pencil/cosmetic drawer
- Knee drawer is designed for use between two desk base cabinets
- Comfortable height for dressing table or writing surface when installed at 28½" height with 1½" thick countertop
- Slab drawer front all door styles
- May be trimmed up to 1" on each side
- **FULL EXTENSION RUNNER NOT AVAILABLE**

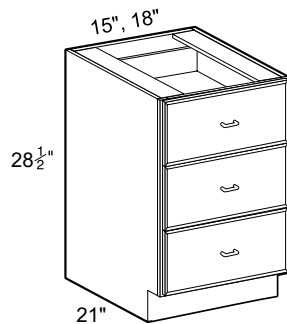
## Filler Strips



**FS30**  
**FS630**

- 3/4" thick solid wood
- Face and all edges finished

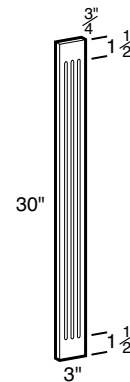
## 21" Deep Desk Drawer



**DDR15**  
**DDR18**

- Three standard drawers
- Comfortable height for dressing table or writing surface
- Matching exterior standard

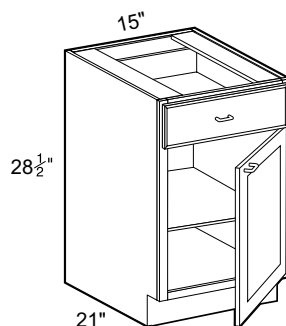
## Fluted Fillers



**FF330**

- 3/4" thick solid wood
- Face and all edges finished
- May be trimmed 1/2" each side
- Available in all door styles except HAW

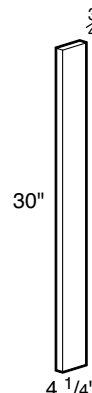
## 21" Deep Desk Door



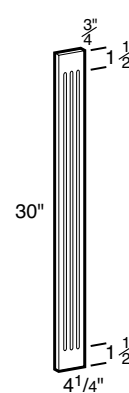
**SPECIFY**  
**RIGHT or LEFT HINGED**  
**DDO15**

- One adjustable shelf
- Comfortable height for dressing table or writing surface
- Matching exterior standard

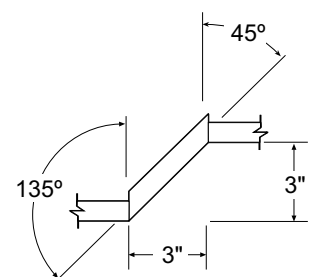
## Angle Filler



## Angle Fluted Filler



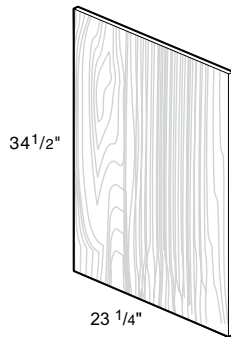
**AF330**  
**AFF330**



- 3/4" thick solid wood
- Face and all edges finished
- Angle Fluted Filler not available in HAW

## Base Skin

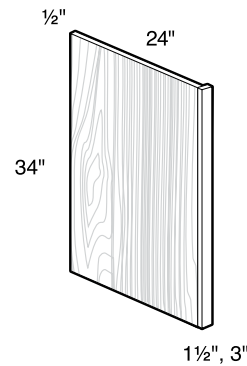
### BSK345



- 3/16" thick plywood matching exterior
- Field modified and installed
- Available in all finishes
- AW is vinyl faced all others are veneer faced

## 24" Deep End Panel with Filler

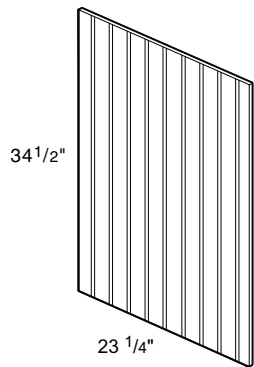
### BEP1.5



- 1 1/2" and 3" solid wood filler included
- Panel and fillers supplied loose for field assembly
- Reversible, may be installed left or right
- 1/2" thick matching veneer exterior

## Base V-Groove Skin

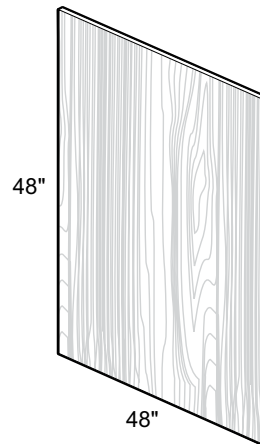
### BVGSK345



- 3/16" thick wood veneer v-groove exterior
- Grooves spaced 1 1/4" on center
- Field modified and installed
- Available in all styles except HAW

## Island Skin

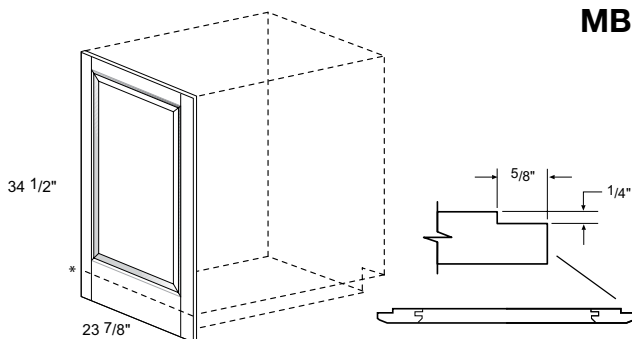
### ISK4848



- 3/16" thick plywood matching exterior
- Field modified and installed
- Available in all finishes
- AW is vinyl faced all others are veneer faced

## Matching Base End Panel

### MBEP

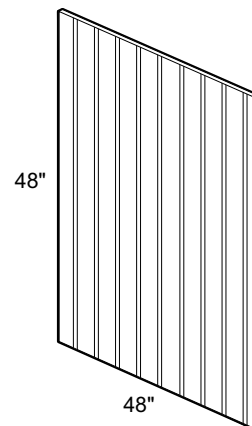


- 3/4" thick
- Field installation
- Panel is reversible & fits flush against end panel

\* **BPW, LCB, LCN, LTG & RMG are 2-piece construction**

## Island V-Groove Skin

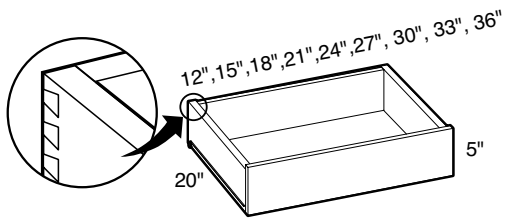
### IVGSK4848



- 3/16" thick wood veneer v-groove exterior
- Grooves spaced 1 1/4" on center
- Field modified and installed
- Available in all styles except HAW



## Rollout Tray Kits

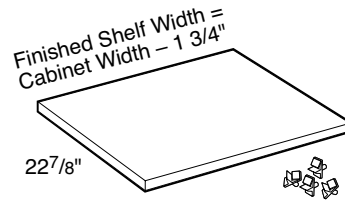


- ROT12
- ROT15
- ROT18
- ROT21
- ROT24
- ROT27
- ROT30
- ROT33
- ROT36

- 5/8" solid wood dovetail construction
- Consult availability guide

ROLL-OUT TRAY KIT AVAILABILITY GUIDE	
SKU	DESIGNED TO FIT
ROT12	B12, B12FH
ROT15	B15, B15FH
ROT18	B18, B18FH, U182484 / 90 / 96
ROT21	B21, B21FH
ROT24	B24, B24FH, SB24, U242484 / 90 / 96
ROT27	B27, B27FH, SB27
ROT30	B30, B30FH, SB30
ROT33	B33, B33FH, SB33
ROT36	B36, B36FH, SB36

## Shelf Kits

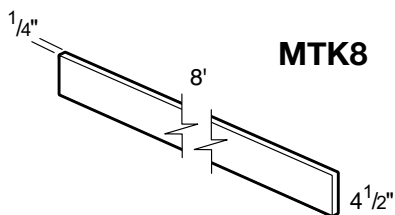


- SK1224
- SK1524
- SK1824
- SK2124
- SK2424
- SK2724
- SK3024
- SK3324
- SK3624

- 3/4" thick plywood faced with light birch veneer
- Edgebanded on front edge
- One shelf and four clips per kit
- Consult availability guide

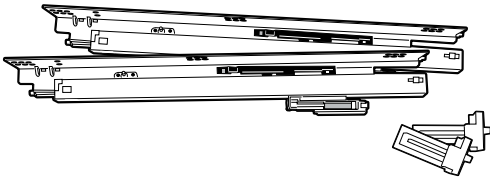
SHELF KIT AVAILABILITY GUIDE		
SKU	WIDTH	DESIGNED TO FIT
SK1224	10 1/4"	B12, B12FH
SK1524	13 1/4"	B15, B15FH
SK1824	16 1/4"	B18, B18FH, U182484/96
SK2124	19 1/4"	B21, B21FH
SK2424	22 1/4"	B24, B24FH, SB24, U242484 / 90 / 9 6
SK2724	25 1/4"	B27, B27FH, SB27
SK3024	28 1/4"	B30, B30FH, SB30, BBCU39
SK3324	31 1/4"	B33, B33FH, SB33, OC332484U / 90U / 96U
SK3624	34 1/4"	B36, B36FH, SB36, BBCU42

## Matching Toe Kick 8'



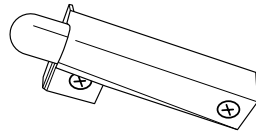
- 1/4" thick wood veneer or white vinyl
- Available in all finishes

## Full Extension Drawer Runner (FX)



- Available in all 21" depth (except DKD30) and 24" depth cabinets with drawers
- Smooth ball bearing, 75 pound load capacity full extension concealed runner with shock that engages when drawer is 1" from closing and applies resistance for soft closing
- Not available for roll-out trays

## Soft Close Door (SCD)

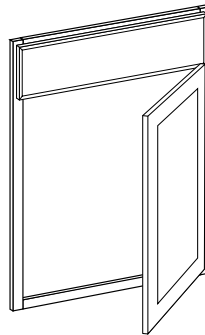


- Available as a door upgrade option
- Adjustable for various size doors
- Nickel plated zinc die cast construction
- Installed on hinge side of frame

## Cabinet Fronts Only (CFO)

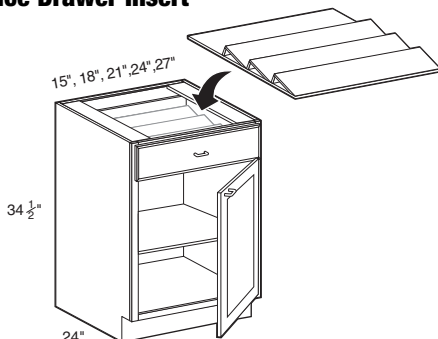
Most Base cabinets can be ordered as "Cabinet Fronts Only". Face frame, doors, drawer fronts, hinges, and bumpers will be supplied and shipped loose. In addition, plastic corner blocks will be supplied for false front installation requirements.

Please consult CFO availability guide on page 43.



Soft Close Door (SCD) option not available for CFOs.

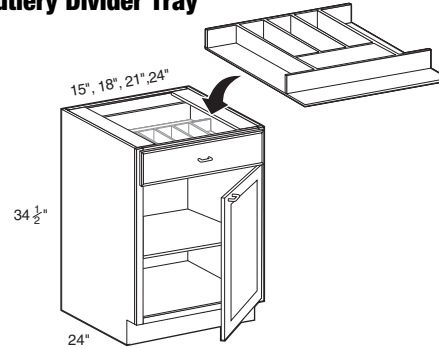
## Spice Drawer Insert



**SDI15**  
**SDI18**  
**SDI21**  
**SDI24**  
**SDI27**

- Solid hardwood drawer insert
- Three 5" high angled tiers
- Rear 4" deep compartment
- Sized to fit inside 15", 18", 21", 24", 27" wide drawers

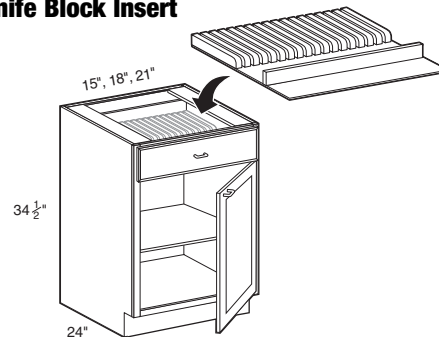
## Cutlery Divider Tray



**CDT15**  
**CDT18**  
**CDT21**  
**CDT24**

- Solid hardwood drawer insert
  - One full width front utensil compartment
- CDT15 - 6 compartments 10"-14" deep (fits B15, BD15)  
CDT18 - 6 compartments 10"-14" deep (fits B18, BD18, B36)  
CDT21 - 8 compartments 10"-14" deep (fits B21)  
CDT24 - 8 compartments 10"-14" deep (fits B24, BD24)

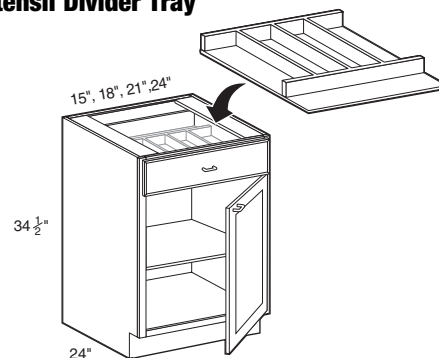
## Knife Block Insert



**KBI15**  
**KBI18**  
**KBI21**

- Solid hardwood drawer insert
  - One full width front utensil compartment
- KBI15 - 10 knife slots + utensil compartment (fits B15, BD15)  
KBI18 - 13 knife slots + utensil compartment (fits B18, BD18, B36)  
KBI21 - 16 knife slots + utensil compartment (fits B21)

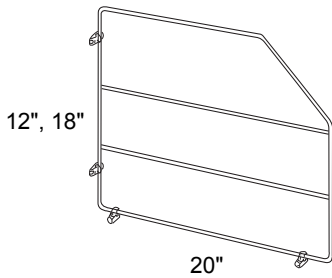
## Utensil Divider Tray



**UTD15**  
**UTD18**  
**UTD21**  
**UTD24**

- Solid hardwood drawer insert
  - One full width front utensil compartment
- UTD15 - 2 additional compartments 16" deep (fits B15, BD15)  
UTD18 - 4 additional compartments 16" deep (fits B18, BD18, B36)  
UTD21 - 5 additional compartments 16" deep (fits B21)  
UTD24 - 5 additional compartments 16" deep (fits B24, BD24)

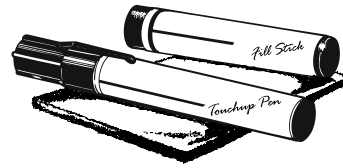
## Tray Dividers



**TD12CR**  
**TD18CR**

- Available in 12" & 18" heights
- Chrome finish
- Stores baking sheets, serving dishes, etc.
- Comes with 4 clips & fasteners
- Attaches to cabinet middle or bottom shelf
- Field installed

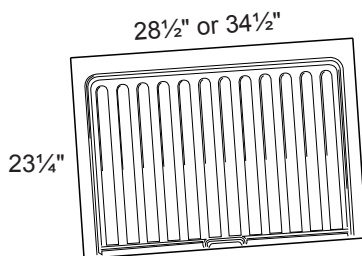
## Touch-Up Kit



**TUK-AW**  
**TUK-BG**  
**TUK-CB**  
**TUK-CN**  
**TUK-MG**  
**TUK-PW**  
**TUK-TG**

- Includes fill stick, touch-up pen, and 4-door bumpers

## Sink Base Liner



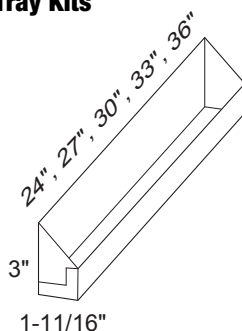
**SBL2730**  
**SBL3336**

- Helps protect sink cabinet from damage due to leaks in piping or drains
- Sleek surface for easy cleanup
- SBL2730 can be trimmed to fit SB27 or SB30
- SBL3336 can be trimmed to fit SB33 or SB36
- Field installed
- Grey finish

## Design Tips:

- Do design with refrigerator end panels when installing 24" deep wall cabinets over refrigerator to provide necessary cabinet support and create a true built-in look.
- Do design with roll-out trays for increased accessibility and maximum storage.
- Do design and consult appliance manufacturer's cut-out requirements when specifying the universal oven cabinet and advise customer to follow the manufacturer's recommend installation procedures.
- Do design tall skins on exposed cabinet ends to create flush, surface to butt wall cabinets against, and for installation ease of top molding.

## Tilt-out Tray Kits

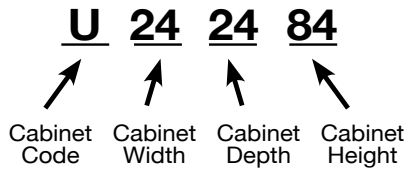


**SBTOTK24**  
**SBTOTK27**  
**SBTOTK30**  
**SBTOTK33\***  
**SBTOTK36\***

- Kit attaches to sink base false drawer front to create tilt-out drawer
- Holds sponges, scouring pads, dish soaps, etc.
- Stainless steel construction
- Field installed
- \* Two trays included to fit double false fronts

**PLEASE NOTE:** Line drawings are artistic representations of products for general dimensioning purposes. These should not be relied upon for accurate product appearance. Please consult the website or a designer if you have any questions or specific design requirements.

## TALL CABINET CODING



### SPECIAL NOTES:

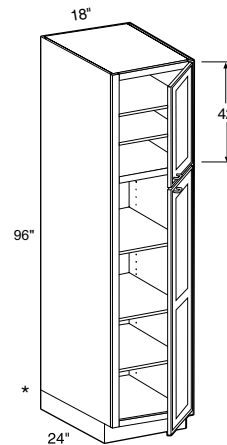
- Standard Tall Cabinets are 24" deep
- Add door thickness for total cabinet depth
- Products are available in all door styles unless stated otherwise
- Standard cabinet exterior is unfinished veneer, exposed sides require Finished Ends

### 24" Deep Two Door Utility



SPECIFY  
RIGHT or LEFT HINGED

**U182496**



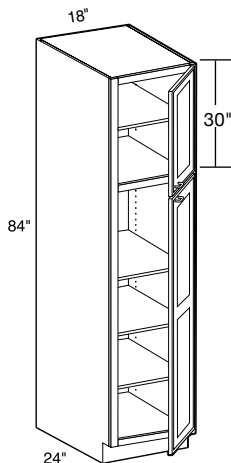
- One fixed and five adjustable shelves
- Optional rollout trays or additional shelves available
- \* Loose toe kick box for ease of installation
- Exposed sides require TSK96
- **CUSTOM DEPTH: 9" to 23" deep**

### 24" Deep Two Door Utility



SPECIFY  
RIGHT or LEFT HINGED

**U182484**

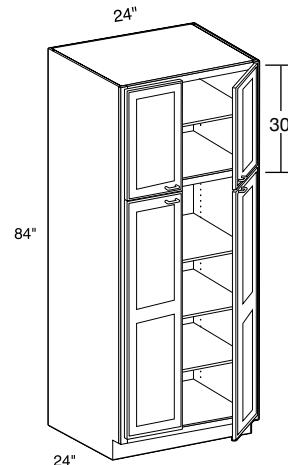


- One fixed and four adjustable shelves
- Optional rollout trays or additional shelves available
- Exposed sides require TSK84
- **CUSTOM DEPTH: 9" to 23" deep**

### 24" Deep Four Butt Door Utility



**U242484**



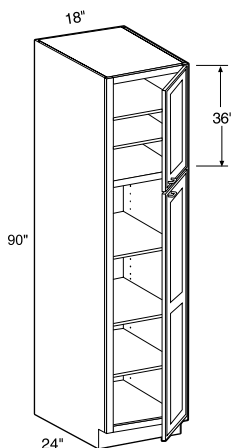
- One fixed and four adjustable shelves
- Optional rollout trays or additional shelves available
- Exposed sides require TSK84
- **CUSTOM DEPTH: 9" to 23" deep**

### 24" Deep Two Door Utility



SPECIFY  
RIGHT or LEFT HINGED

**U182490**

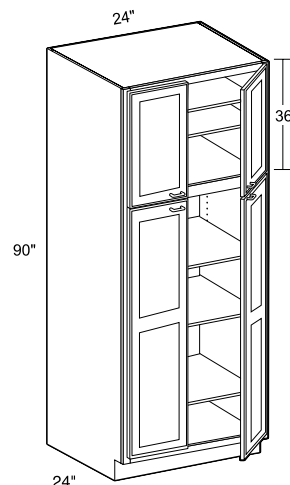


- One fixed and five adjustable shelves
- Optional rollout trays or additional shelves available
- Exposed sides require TSK90
- **CUSTOM DEPTH: 9" to 23" deep**

### 24" Deep Four Butt Door Utility



**U242490**

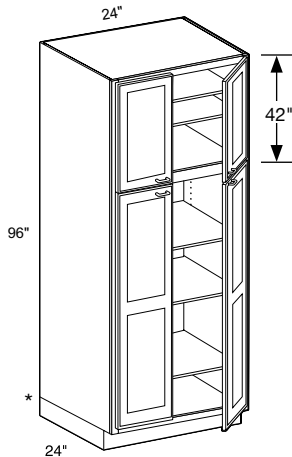


- One fixed and five adjustable shelves
- Optional rollout trays or additional shelves available
- Exposed sides require TSK90
- **CUSTOM DEPTH: 9" to 23" deep**

## 24" Deep Four Butt Door Utility



**U242496**

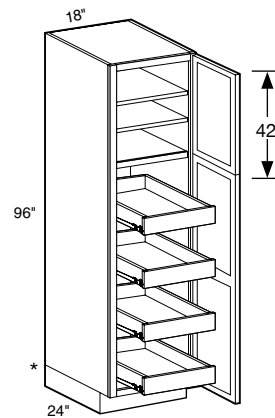


- One fixed and five adjustable shelves
- Optional rollout trays or additional shelves available
- \* Loose toe kick box for ease of installation
- Exposed sides require TSK96
- **CUSTOM DEPTH: 9" to 23" deep**

## 24" Deep Two Door Utility with Four Rollout Trays

**SPECIFY RIGHT or LEFT HINGED**

**U182496-4T**

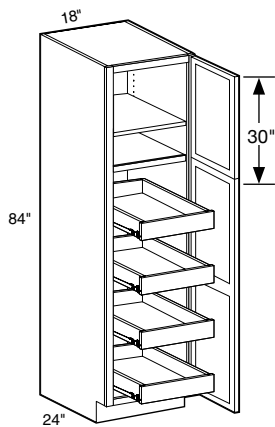


- Four adjustable, full width rollout trays
- Two adjustable shelves
- \* Loose toe kick box for ease of installation
- Exposed sides require TSK96

## 24" Deep Two Door Utility with Four Rollout Trays

**SPECIFY RIGHT or LEFT HINGED**

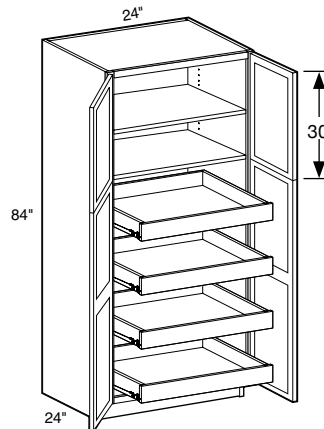
**U182484-4T**



- Four adjustable, full width rollout trays
- One adjustable shelf
- Exposed sides require TSK84

## 24" Deep Four Butt Door Utility with Four Rollout Trays

**U242484-4T**

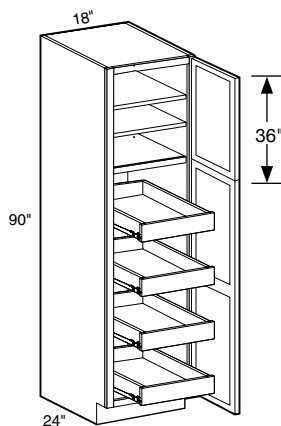


- Four adjustable, full width rollout trays
- One adjustable shelf
- Exposed sides require TSK84

## 24" Deep Two Door Utility with Four Rollout Trays

**SPECIFY RIGHT or LEFT HINGED**

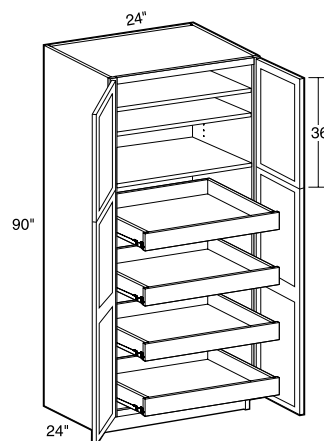
**U182490-4T**



- Four adjustable, full width rollout trays
- Two adjustable shelves
- Exposed sides require TSK90

## 24" Deep Four Butt Door Utility with Four Rollout Trays

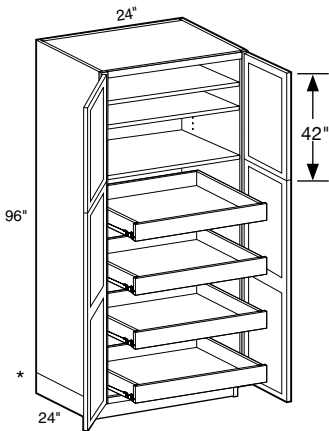
**U242490-4T**



- Four adjustable, full width rollout trays
- Two adjustable shelves
- Exposed sides require TSK90

## 24" Deep Four Butt Door Utility with Four Rollout Trays

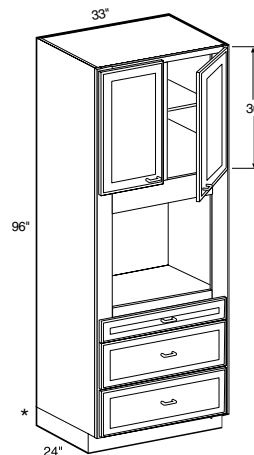
**U242496-4T**



- Four adjustable, full width rollout trays
- Two adjustable shelves
- \* Loose toe kick box for ease of installation
- Exposed sides require TSK96

## 24" Deep Universal Oven

**OC332496U**

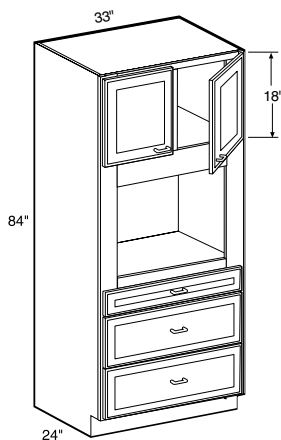


- Consult chart for oven cutout dimensions
- One adjustable shelf
- 3 field removable drawers
- 3" stiles in oven compartment
- \* Loose toe kick box for ease of installation
- Exposed sides require TSK96

CABINET	MIN. WIDTH	MAX WIDTH	MIN. HEIGHT	MAX HEIGHT
OC332496U	27"	31"	22"	60"

## 24" Deep Universal Oven

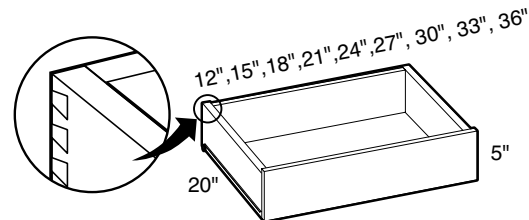
**OC332484U**



- Consult chart for oven cutout dimensions
- No shelf
- 3 field removable drawers
- 3" stiles in oven compartment
- Exposed sides require TSK84

CABINET	MIN. WIDTH	MAX WIDTH	MIN. HEIGHT	MAX HEIGHT
OC332484U	27"	31"	22"	60"

## Rollout Tray Kits

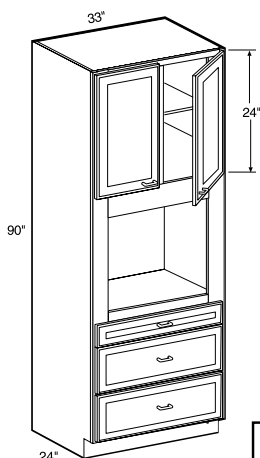


**ROT12**  
**ROT15**  
**ROT18**  
**ROT21**  
**ROT24**  
**ROT27**  
**ROT30**  
**ROT33**  
**ROT36**

- 5/8" solid wood dovetail construction
- Consult availability guide

## 24" Deep Universal Oven

**OC332490U**



- Consult chart for oven cutout dimensions
- One adjustable shelf
- 3 field removable drawers
- 3" stiles in oven compartment
- Exposed sides require TSK90

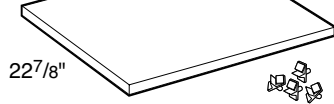
CABINET	MIN. WIDTH	MAX WIDTH	MIN. HEIGHT	MAX HEIGHT
OC332490U	27"	31"	22"	60"

### ROLL-OUT TRAY KIT AVAILABILITY GUIDE

SKU	DESIGNED TO FIT
ROT12	B12, B12FH
ROT15	B15, B15FH
ROT18	B18, B18FH, U182484 / 90 / 96
ROT21	B21, B21FH
ROT24	B24, B24FH, SB24, U242484 / 90 / 96
ROT27	B27, B27FH, SB27
ROT30	B30, B30FH, SB30
ROT33	B33, B33FH, SB33
ROT36	B36, B36FH, SB36

## Shelf Kits

Finished Shelf Width =  
Cabinet Width - 1 3/4"



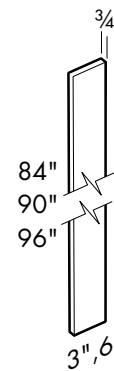
**SK1824**

**SK2424**

**SK3324**

- 3/4" thick plywood faced with light birch veneer
- Edgebanded on front edge
- One shelf and four clips per kit

## Tall Filler Strips



**FS84**

**FS90**

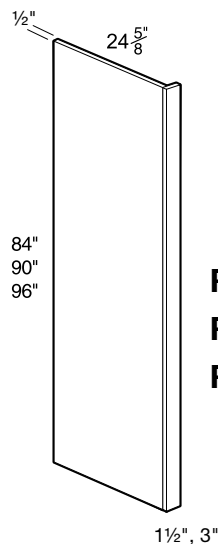
**FS96**

**FS696**

- 3/4" thick solid wood, or vinyl wrapped MDF
- Face and all edges finished

## 24" Deep Refrigerator Panel

- 1 1/2" & 3" wide filler included
- Reversible, may be installed left or right
- 1/2" thick veneer matching exterior/interior
- Panel may be scribed up to 5/8"

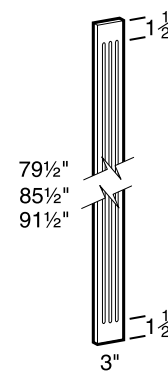


**RP84**

**RP90**

**RP96**

## Fluted Fillers



**FF79**

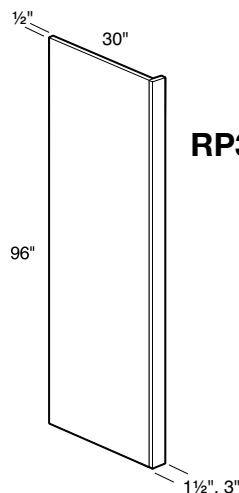
**FF85**

**FF91**

- 3/4" thick solid wood
- Face and all edges finished

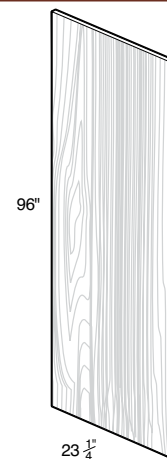
## 30" Deep Universal Refrigerator Panel

- 1 1/2" and 3" wide fillers included
- Panel and Fillers supplied loose for field assembly
- Reversible, may be installed left or right
- Trimmable for 84" and 90" applications
- 1/2" thick matching veneer or vinyl exterior/interior
- Panel may be scribed to desired depth



**RP3096**

## Tall Skin



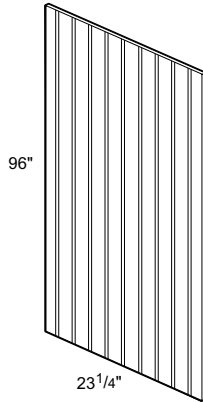
**TSK84**

**TSK90**

**TSK96**

- 3/16" thick plywood matching exterior
- Field modified and installed
- Available in all finishes
- AW is vinyl faced, all others are veneer faced

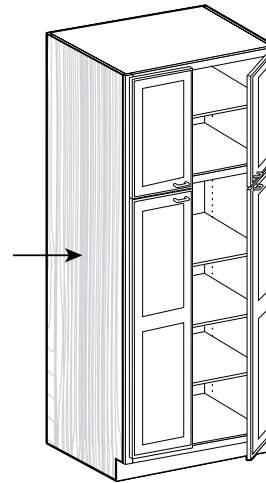
## Tall V-Groove Skin



**TVGSK96**

- 3/16" thick wood veneer v-groove exterior
- Grooves spaced 1 1/4" on center
- Field modified and installed
- Available in Full Overlay (except HAW) door styles

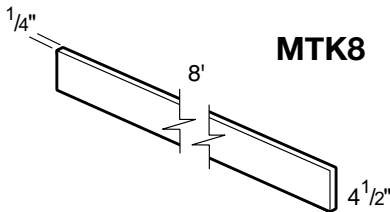
## Factory Finished End Panels



**TSK84 L or R**  
**TSK90 L or R**

- Matching veneer exterior\*
- Factory installed
- Specify Applied Left or Applied Right
- \* AW is vinyl faced
- Not available for 96" high

## Matching Toe Kick 8'



**MTK8**

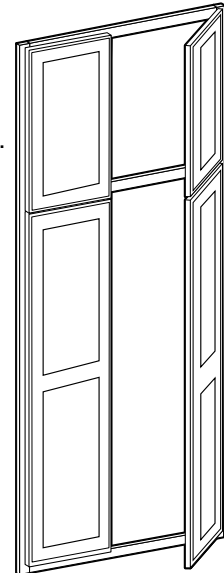
- 1/4" thick wood veneer or white vinyl
- Available in all finishes

## Cabinet Fronts Only (CFO)

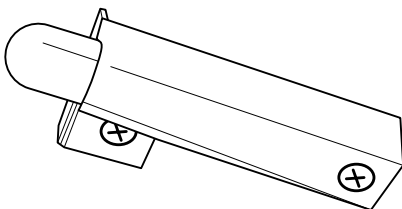
Most Tall cabinets can be ordered as "Cabinet Fronts Only". Face frame, doors, hinges and bumpers will be supplied and shipped loose.

Please consult CFO availability guide on page 43.

Soft Close Door (SCD) option not available for CFOs.

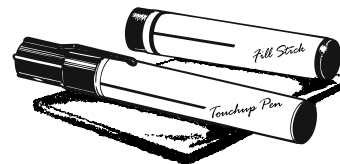


## Soft Close Door Upgrade (SCD)



- Available as a door upgrade option
- Adjustable for various size doors
- Nickel plated zinc die cast construction
- Installed on hinge side of frame

## Touch-Up Kit



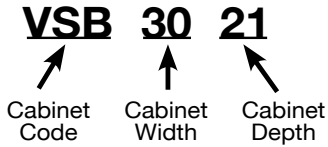
**TUK-AW TUK-TG**  
**TUK-BG**  
**TUK-CB**  
**TUK-CG**  
**TUK-CN**  
**TUK-MG**  
**TUK-PW**

- Includes fill stick, touch-up pen, and 4-door bumpers

**PLEASE NOTE:** Line drawings are artistic representations of products for general dimensioning purposes. These should not be relied upon for accurate product appearance. Please consult the website or a designer if you have any questions or specific design requirements.



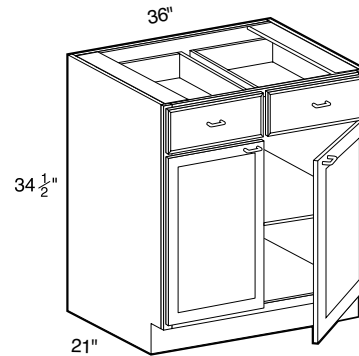
## VANITY CABINET CODING



### SPECIAL NOTES:

- Standard Vanity Base Cabinets are 21" deep and 34½" high
- Add door thickness for total cabinet depth
- **Custom Depths are available where indicated. Use Standard Base Cabinet coding to order as specified.**
- Products are available in all door styles unless stated otherwise
- Standard cabinet exterior is unfinished veneer, exposed sides require Finished Ends or Matching End Panels

### 21" Deep Double Door



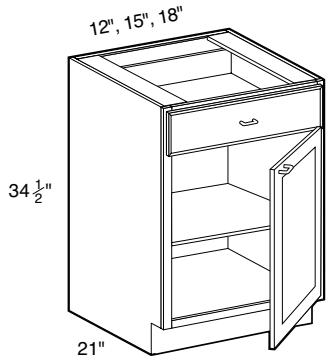
**Std. 21" Depth**  
**VB3621**

#### For Custom Depths:

- One full depth adjustable shelf
- Two standard drawers

- Order **B36**
- Select 9" to 23" depth
- 9" to 14" deep have false fronts & no drawer

### 21" Deep Single Door SPECIFY RIGHT OR LEFT HINGED



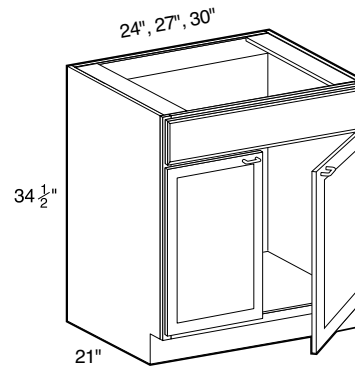
**Std. 21" Depth**  
**VB1221**  
**VB1521**  
**VB1821**

#### For Custom Depths:

- One full depth adjustable shelf
- One standard drawer

- Order **B12, B15, or B18**
- Select 9" to 23" depth
- 9" to 14" deep have false fronts & no drawer

### 21" Deep Sink Base



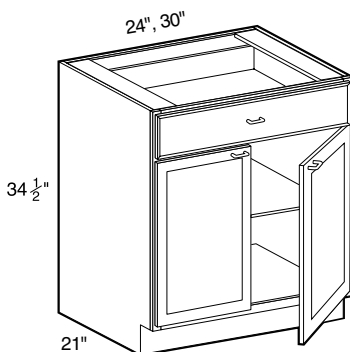
**Std. 21" Depth**  
**VSB2421**  
**VSB2721**  
**VSB3021**

#### For Custom Depths:

- No shelf
- False drawer front

- Order **SB24, SB27, or SB30**
- Select 9" to 23" depth

### 21" Deep Double Door



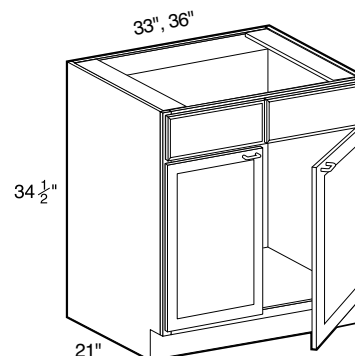
**Std. 21" Depth**  
**VB2421**  
**VB3021**

#### For Custom Depths:

- One full depth adjustable shelf
- One standard drawer

- Order **B24 or B30**
- Select 9" to 23" depth
- 9" to 14" deep have false fronts & no drawer

### 21" Deep Sink Base



**Std. 21" Depth**  
**VSB3321**  
**VSB3621**

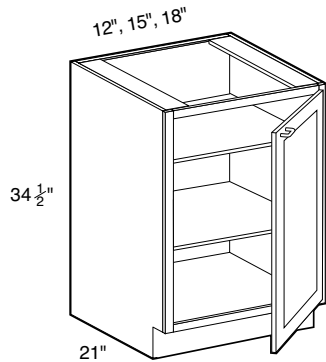
#### For Custom Depths:

- No shelf, two false fronts

- Order **SB33 or SB36**
- Select 9" to 23" depth

# Vanity Base Cabinets

## 21" Deep Single Full Height Door SPECIFY RIGHT or LEFT HINGED



### Std. 21" Depth

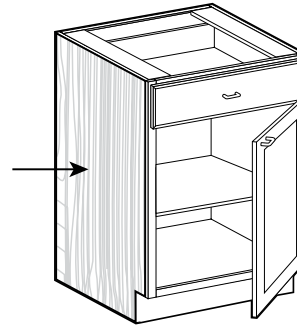
**VB1221FH**  
**VB1521FH**  
**VB1821FH**

### For Custom Depths:

- Order **B12FH**, **B15FH**, or **B18FH**
- Select 9" to 23" depth

- Two adjustable shelves

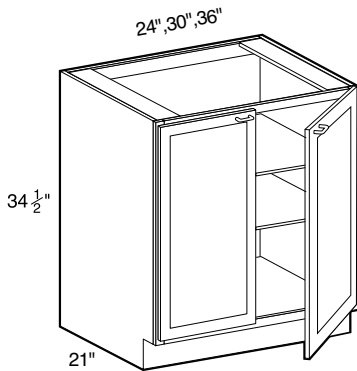
## Factory Finished End Panels



**VBSK345 L or R**

- Matching exterior
- Factory installed
- Specify Applied Left or Applied Right
- Available in all finishes
- AW is vinyl faced, all others are veneer faced

## 21" Deep Double Full Height Door



### Std. 21" Depth

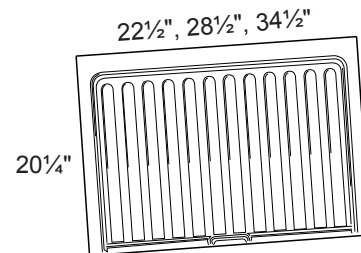
**VB2421FH**  
**VB3021FH**  
**VB3621FH**

### For Custom Depths:

- Order **B24FH**, **B30FH** or **B36FH**
- Select 9" to 23" depth

- Two adjustable shelves

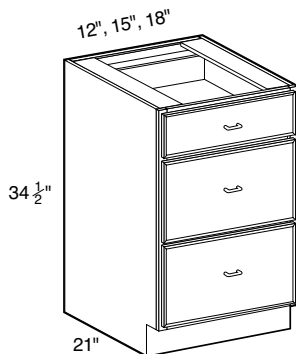
## 21" Deep Vanity Sink Base Liner



**VSBL2124**  
**VSBL2730**  
**VSBL3336**

- Helps protect sink cabinet from damage due to leaks in piping or drains
- Sleek surface for easy cleanup
- VSBL2124 can be trimmed to fit VSB2421
- VSBL2730 can be trimmed to fit VSB2721 or VSB3021
- VSBL3336 can be trimmed to fit VSB3321 or VSB3621
- Field installed
- Grey finish

## 21" Deep Base Drawer



### Std. 21" Depth

**VBD1221**  
**VBD1521**  
**VBD1821**

### For Custom Depths:

- Order **BD12**, **BD15** or **BD18**
- Select 15" to 23" depth

- One standard drawer
- Two deep drawers

## Touch-Up Kit

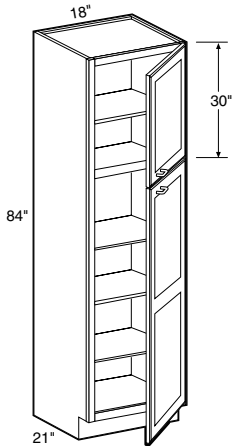


**TUK-AW** **TUK-TG**  
**TUK-BG**  
**TUK-CB**  
**TUK-CG**  
**TUK-CN**  
**TUK-MG**  
**TUK-PW**

- Includes fill stick, touch-up pen, and 4-door bumpers

**PLEASE NOTE:** Line drawings are artistic representations of products for general dimensioning purposes. These should not be relied upon for accurate product appearance. Please consult the website or a designer if you have any questions or specific design requirements.

## 21" Deep Two Door Linen SPECIFY RIGHT or LEFT HINGED



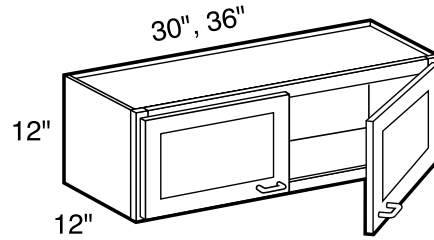
**Std. 21" Depth**  
**VLC182184**

### Custom Depths

- Order **U182484**
- Select 9" to 23" depth

- One fixed and four adjustable shelves
- Exposed sides require VTSK84

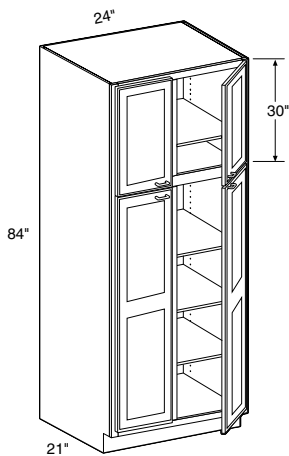
## 12" High x 12" Deep Wall Double Door



**W3012**  
**W3612**

- No adjustable shelf
- **CUSTOM DEPTH: 5" to 15" deep**

## 21" Deep Four Door Linen



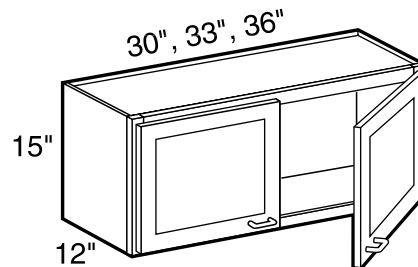
**Std. 21" Depth**  
**VLC242184**

### Custom Depths

- Order **U242484**
- Select 9" to 23" depth

- One fixed and four adjustable shelves
- Exposed sides require VTSK84

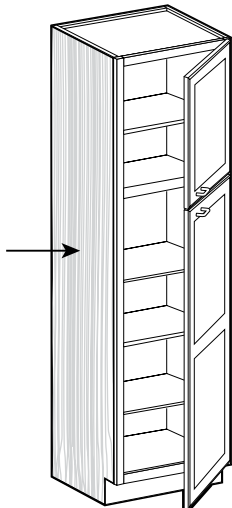
## 15" High Wall Double Door



**W3015**  
**W3315**  
**W3615**

- No adjustable shelf
- **CUSTOM DEPTH: 5" to 15" deep**

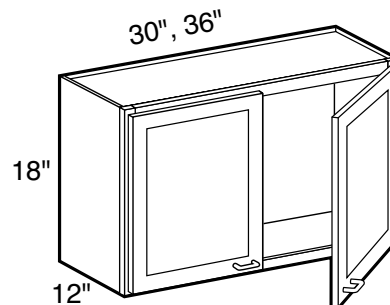
## Factory Finished End Panels



**VTSK84 L or R**

- Matching exterior finish
- Factory installed
- Specify Applied Left or Applied Right
- Available in all finishes

## 18" High x 12" Deep Wall Double Door

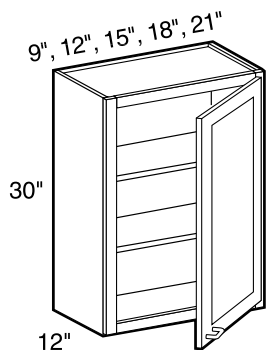


**W3018**  
**W3618**

- No adjustable shelf
- **CUSTOM DEPTH: 5" to 15" deep**

# Vanity Wall Cabinets

## 30" High Wall Single Door



**SPECIFY  
RIGHT or LEFT HINGED**

**W0930**

**\*W1230**

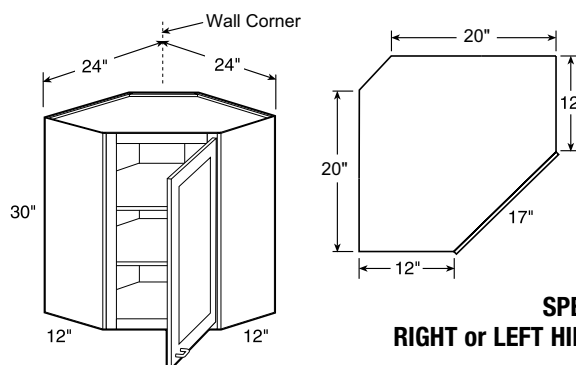
**\*W1530**

**\*W1830**

**W2130**

- Two adjustable shelves
- \* Mullion doors available in select styles. Consult availability guide on page 14.
- **CUSTOM DEPTH: 5" to 15" deep**

## 30" High Wall Angle

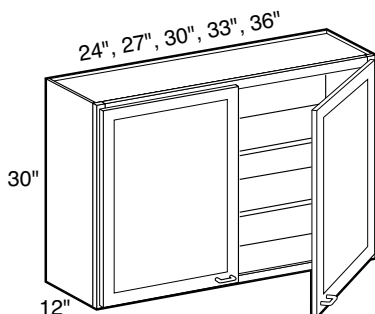


**SPECIFY  
RIGHT or LEFT HINGED**

**\*WA2430**

- Two adjustable shelves
- \* Mullion doors available in select styles. Consult availability guide on page 14.
- Clip corner back provides clearance for installation

## 30" High Wall Double Door



**\*W2430**

**W2730**

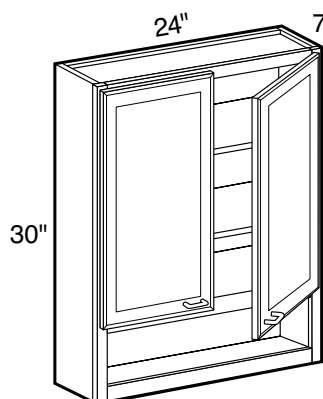
**\*W3030**

**W3330**

**\*W3630**

- Two adjustable shelves
- \* Mullion doors available in select styles. Consult availability guide on page 14.
- **CUSTOM DEPTH: 5" to 15" deep**

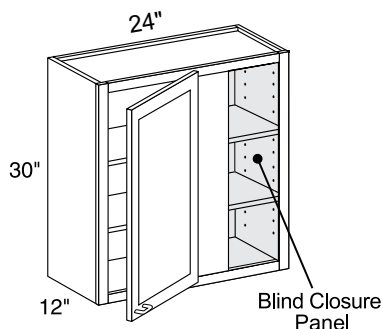
## 30" High x 7" Deep Vanity Wall Boutique



**VWB2430**

- Two adjustable shelves
- Matching interior and exterior standard

## 30" High Wall Blind Corner

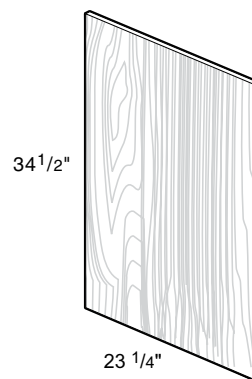


**SPECIFY  
RIGHT or LEFT BLIND**

**WBCU2730**

- Two adjustable shelves
- Indicate R or L for blind side (right shown)
- Cabinet can be pulled for exact fit (see installation chart on page 10)
- 3" filler & 1/8" blind closure panel included
- **CUSTOM DEPTH: 5" to 15" deep**

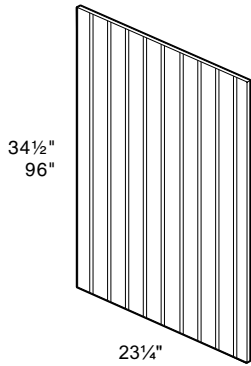
## Base Skin



**BSK345**

- 3/16" thick plywood matching exterior
- Field cut to 20 1/4" depth
- Available in all finishes
- AW is vinyl faced, all others are veneer faced

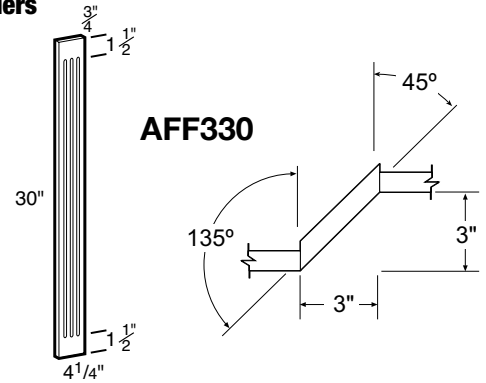
## V-Groove Skins



**BVGSK345**  
**TVGSK96**

- 3/16" thick wood veneer v-groove exterior
- Grooves spaced 1 1/4" on center
- Field cut to 20 1/4" depth
- Available in all styles except HAW

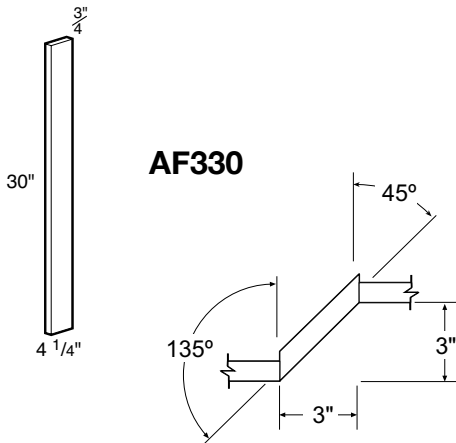
## Angle Fluted Fillers



**AFF330**

- 3/4" thick solid wood or MDF
- Face and all edges finished
- Available in all styles except HAW

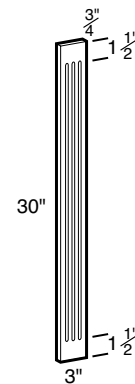
## Angle Fillers



**AF330**

- 3/4" thick solid wood or MDF
- Face and all edges finished
- Available in all finishes

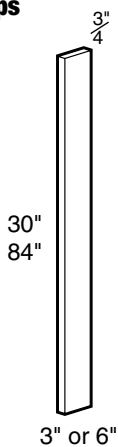
## Fluted Fillers



**FF330**

- 3/4" thick solid wood or MDF
- Face and all edges finished
- May be trimmed 1/2" each side
- Available in all styles except HAW

## Filler Strips



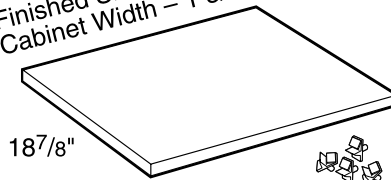
**FS30**  
**FS630**  
**FS84**

- 3/4" thick solid wood or MDF
- Face and all edges finished
- Available in all finishes

## Vanity Shelf Kit

**VSK1221**  
**VSK1521**  
**VSK1821**  
**VSK2421**

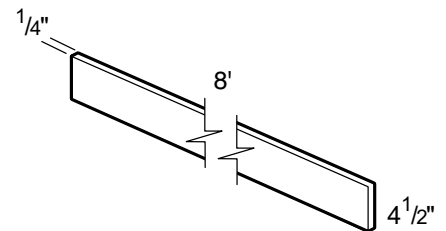
Finished Shelf Width =  
Cabinet Width - 1 3/4"



- 3/4" thick plywood with natural birch veneer finish
- Edgedbanded on front edge

## Matching Toe Kick 8'

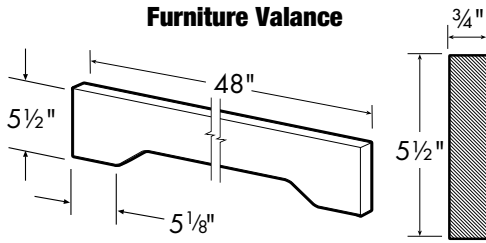
**MTK8**



- 1/4" thick wood veneer or white vinyl
- Available in all finishes

**Furniture Valance**

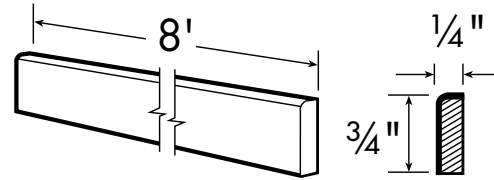
**FV48**



- 3/4" thick solid wood or MDF
- May be trimmed 3" on each end
- Available in all finishes

**Scribe Molding**

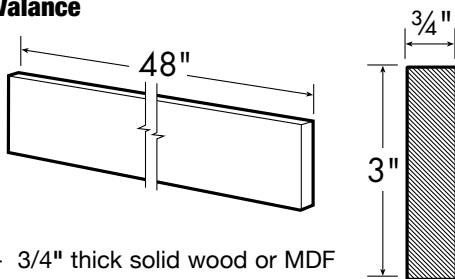
**SM8**



- 1/4" thick solid wood or MDF
- Available in all finishes

**Valance**

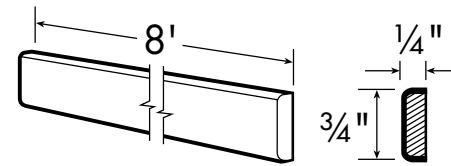
**VA48**



- 3/4" thick solid wood or MDF
- May be trimmed on each end
- Available in all finishes

**Batten Molding**

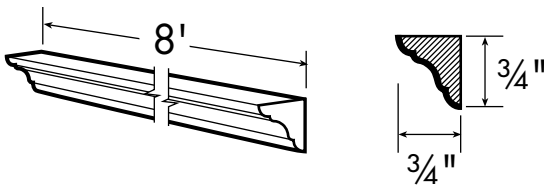
**BM8**



- 1/4" thick solid wood or MDF
- Available in all finishes

**Inside Corner Molding**

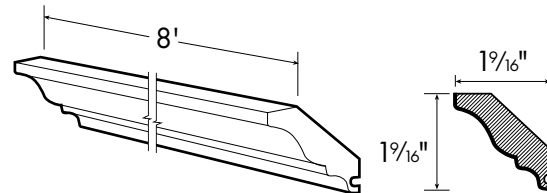
**ICM8**



- 3/4" thick solid wood or MDF
- Available in all finishes

**Soffit Crown Molding**

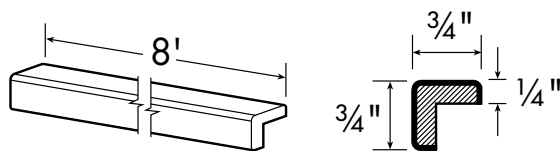
**SCM8**



- 3/4" thick solid wood or MDF
- Use with TMMS8 for top of cabinet installation
- Available in all finishes

**Outside Corner Molding**

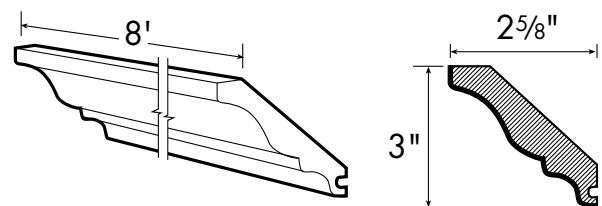
**OSC8**



- 3/4" thick solid wood or MDF
- Available in all finishes

**Crown Molding**

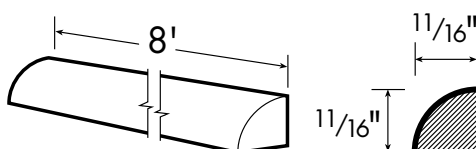
**CM8**



- 3/4" thick solid wood or MDF
- Use with TMMS8 for top of cabinet installation
- Available in all finishes

**Quarter Round**

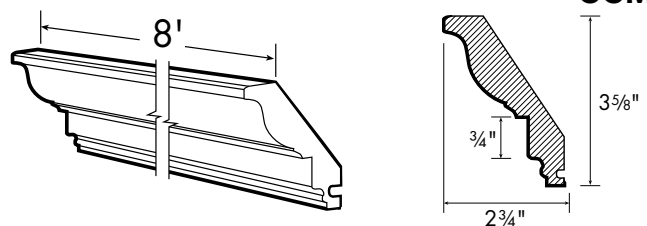
**QR8**



- 1 1/16" thick solid wood or MDF
- Available in all finishes

**Classic Crown Molding**

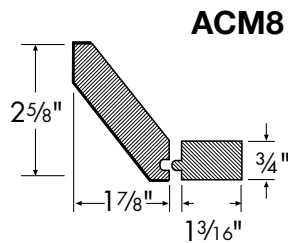
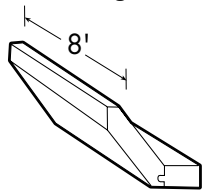
**CCM8**



- 3/4" thick solid wood or MDF
- Use with TMMS8 for top of cabinet installation
- Available in all finishes except HAW

**NOTE: Thick dark lines indicate finished edges**

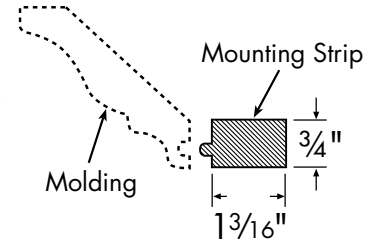
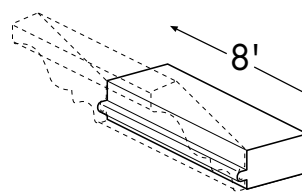
## Angle Crown Molding



**ACM8**

- 3/4" thick solid wood or MDF
- Use with TMMS8 for top of cabinet installation
- Only available in CV, CN, MG, PW finishes

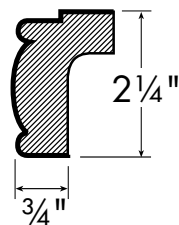
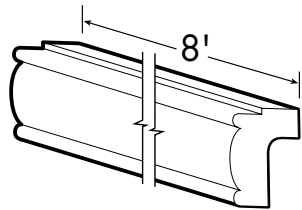
## Top Molding Mounting Strip



**TMMS8**

- 3/4" thick solid wood

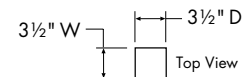
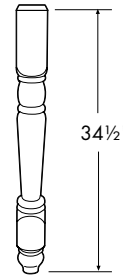
## Classic Light Rail



**CLR8**

- 3/4" thick solid wood or MDF
- Available in all finishes

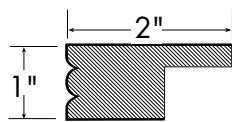
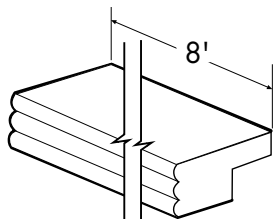
## Spindle



**SPL**

- Solid hardwood or MDF
- Available in all styles except HAW

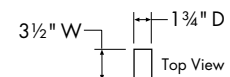
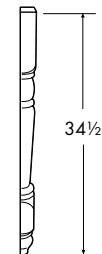
## Beaded Light Rail



**BLR8**

- 1" thick solid wood or MDF
- Available in all styles except HAW

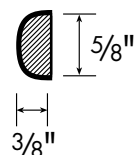
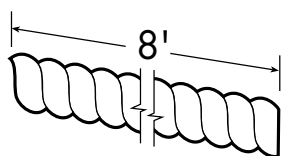
## Split Spindle



**SSPL**

- Solid hardwood or MDF
- Available in all styles except HAW

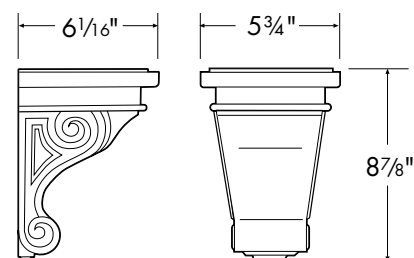
## Rope Molding



**RM8**

- 3/4" thick solid wood or MDF
- Available in all styles except HAW

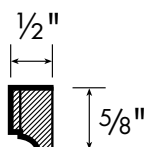
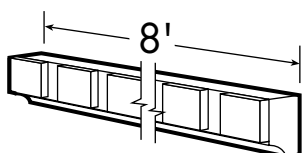
## Corbel



**CBL**

- Solid hardwood or MDF
- Available in all styles except HAW and NPW

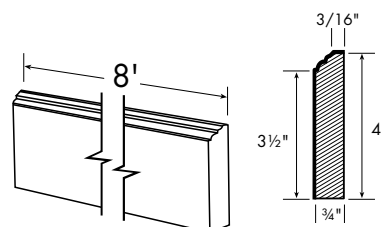
## Dentil Molding



**DM8**

- 3/4" thick solid wood or MDF
- Available in all styles except HAW

## Furniture Base Molding



**FBM8**

- 3/4" thick solid wood or MDF
- Available in all styles

**NOTE: Thick dark lines indicate finished edges**

## Decorative Hardware

**DH43-114**



- Traditional pull
- Antique silver
- 3-3/4" center
- 4-1/2" outside length

**DH43-628**



- Backplate for DH43-632 or DH43-614
- Oiled bronze
- 3-3/4" center
- 5-1/4" outside length

**DH43-826**



- Elongated oval knob
- Antique pewter

**DH43-124**



- Octagon knob
- Antique silver
- 1-3/8" diameter

**DH43-630**



- Elongated oval knob
- Oiled bronze

**DH43-828**



- Classic pull
- Antique pewter
- 3-3/4" center
- 4-3/4" outside length

**DH43-614**



- Traditional pull
- Oiled bronze
- 3-3/4" center
- 4-1/2" outside length

**DH43-632**



- Classic pull
- Oiled bronze
- 3-3/4" center
- 4-3/4" outside length

**DH45-100**



- Euro railing pull
- Brushed nickel
- 3-3/4" center
- 7" outside length

**DH43-618**



- Octagon knob
- Oiled bronze
- 1-3/8" diameter

**DH43-820**



- Screw-head cup pull
- Antique pewter
- 2-1/2" center
- 4-1/8" outside length

**DH45-102**



- Euro railing pull
- Brushed nickel
- 6-15/16" center
- 10" outside length

**DH43-624**



- Screw-head cup pull
- Oil rubbed bronze
- 2-1/2" center
- 4-1/8" outside length

**DH43-824**



- Backplate for DH43-828
- Antique pewter
- 3-3/4" center
- 5-1/4" outside length

**DH45-104**



- Euro railing pull
- Brushed nickel
- 9-3/4" center
- 13" outside length



# Decorative Hardware

**DH65-120**



- Birdcage pull
- Antique iron
- 3-3/4" center
- 4-1/2" outside length

**DH87-112**



- Ribbed bow pull
- Brushed nickel
- 3-3/4" center
- 4-3/16" outside length

**DH95-104**



- Square dimpled pull
- Matte nickel
- 6-5/16" center
- 7-1/2" outside length

**DH65-200**



- Birdcage knob
- Antique iron
- 2-1/2" diameter

**DH88-104**



- Arrowhead knob
- Antique pewter

**DH95-144**



- Square dimpled knob
- Matte nickel

**DH65-402**



- Birdcage pull
- Stainless steel
- 3-3/4" center
- 4" outside length

**DH88-110**



- Arrowhead pull
- Antique pewter
- 5" center
- 7-1/2" outside length

**DH99-128**



- Contemporary bow pull
- Brushed nickel
- 3-3/4" center
- 5-1/2" outside length

**DH65-432**



- Birdcage knob
- Stainless steel

**DH93-112**



- Raised mitered pull
- Antique pewter
- 5" center
- 6-3/8" outside length

**DH99-188**



- Round knob
- Brushed nickel
- 1-1/4" diameter

**DH87-102**



- Square ribbed knob
- Brushed nickel

**DH93-152**

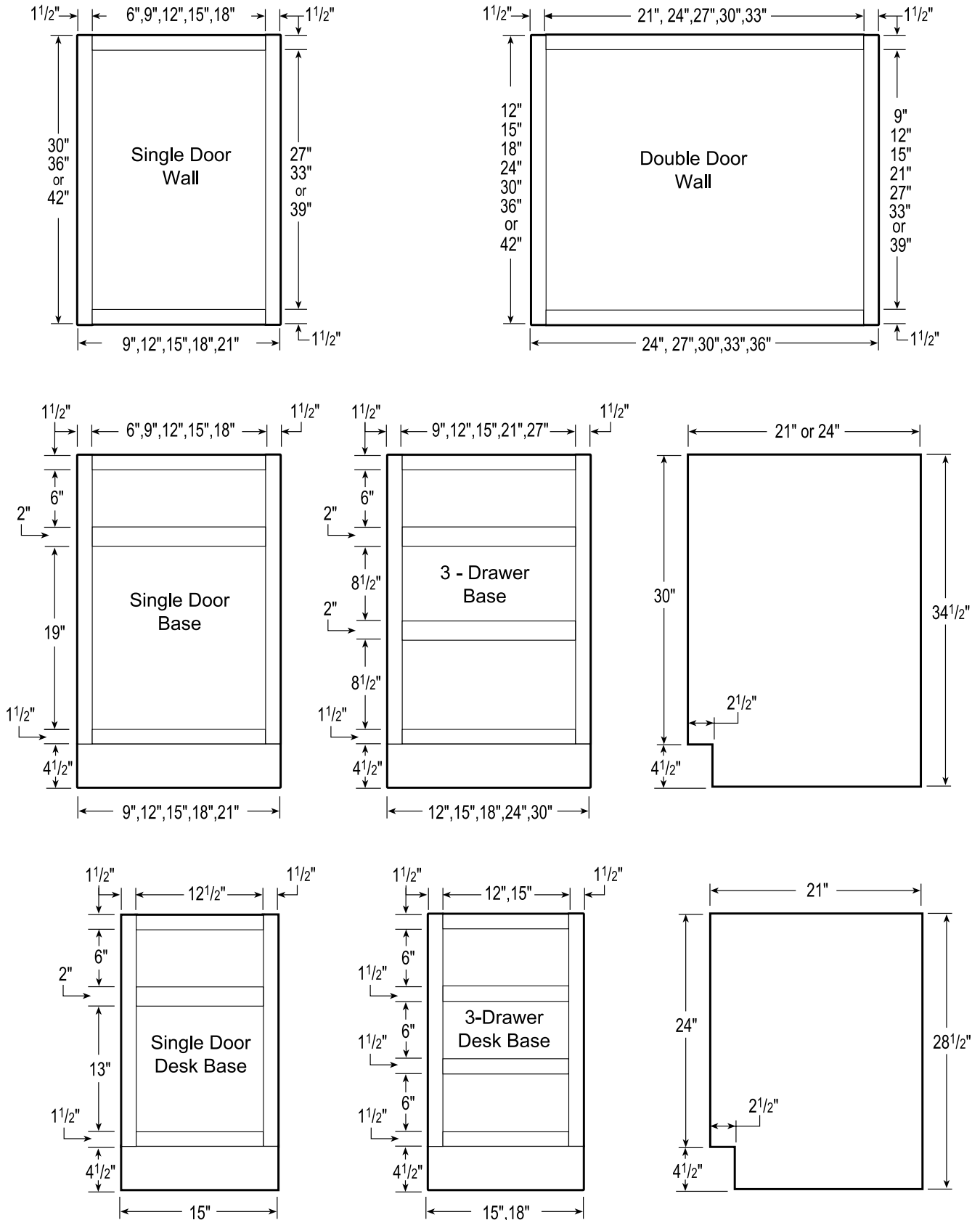


- Raised mitered knob
- Antique pewter

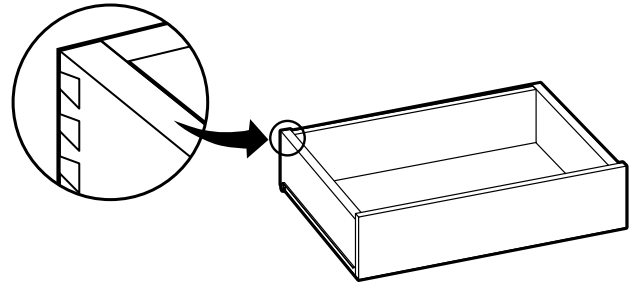
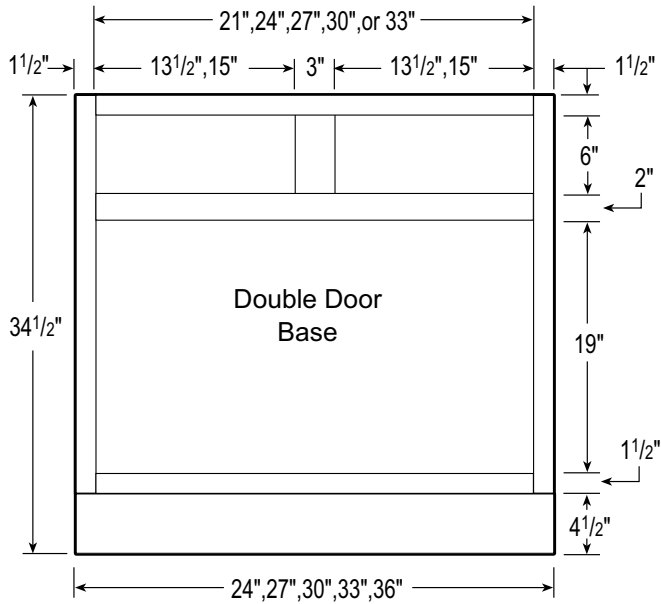
**REMINDER:**

**Full overlay cabinets require decorative hardware.**

# Cabinet Frame & Opening Dimensions



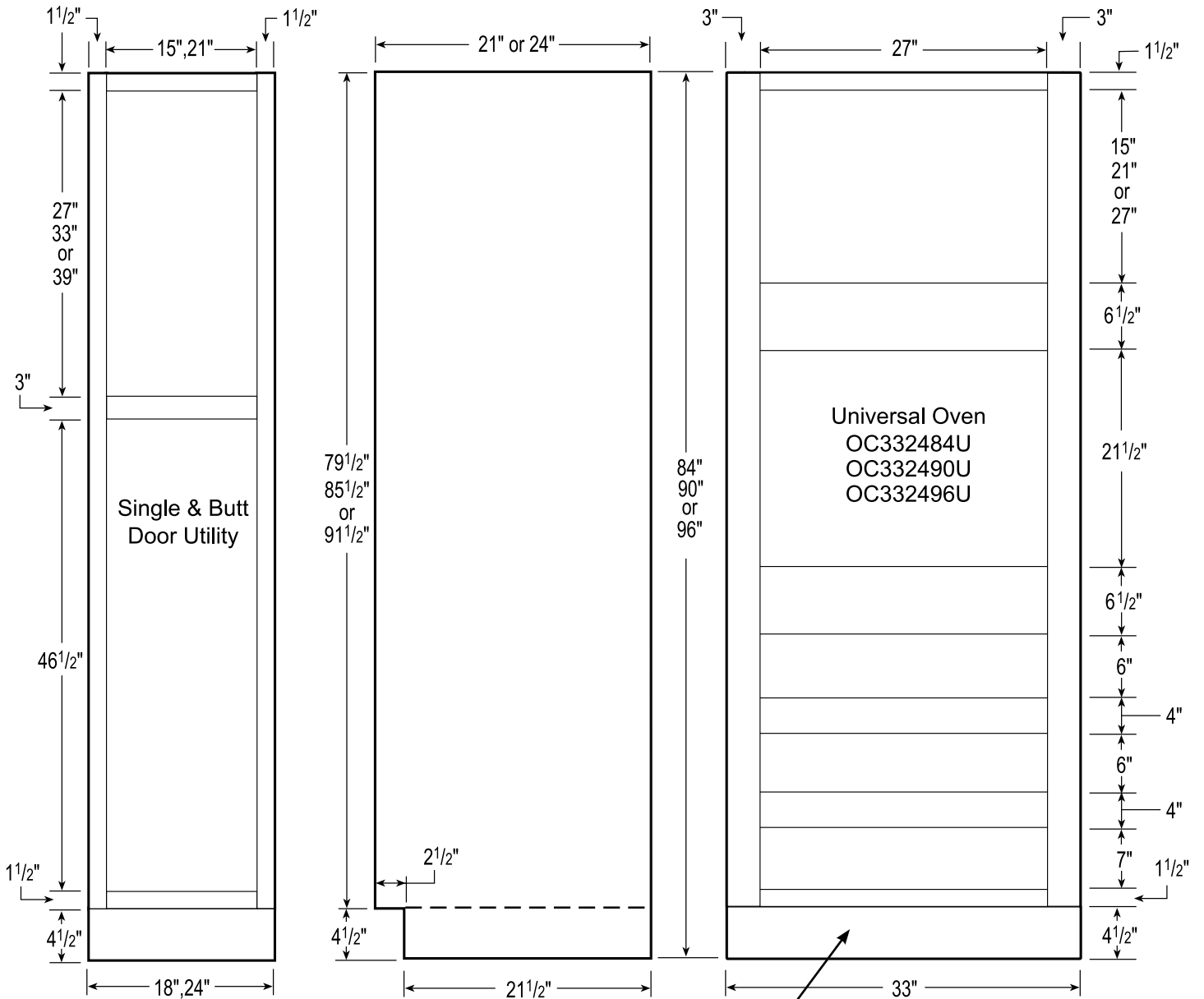
# Cabinet Frame & Opening Dimensions



NOTE: B27, B30 have full width drawers

DRAWER BOX INSIDE DIMENSIONS						
CABINET	SHALLOW DRAWER			DEEP DRAWER		
	HEIGHT	DEPTH	WIDTH	HEIGHT	DEPTH	WIDTH
B12, BD12	4-3/8"	19-11/16"	6-7/8"	6-3/4"	19-11/16"	6-7/8"
VB1221, VBD1221	4-3/8"	16-11/16"	6-7/8"	6-3/4"	16-11/16"	6-7/8"
B15, BBCU42, BD15	4-3/8"	19-11/16"	9-7/8"	6-3/4"	19-11/16"	9-7/8"
VB1521, VBD1521	4-3/8"	16-11/16"	9-7/8"	6-3/4"	16-11/16"	9-7/8"
DDO15, DDR15	4-3/8"	19-11/16"	9-7/8"	N/A	N/A	N/A
B18, BD18	4-3/8"	19-11/16"	12-7/8"	6-3/4"	19-11/16"	12-7/8"
VB1821, VBD1821	4-3/8"	16-11/16"	12-7/8"	6-3/4"	16-11/16"	12-7/8"
B21	4-3/8"	19-11/16"	15-7/8"	N/A	N/A	N/A
B24, BD24	4-3/8"	19-11/16"	18-7/8"	6-3/4"	19-11/16"	18-7/8"
VB2421	4-3/8"	16-11/16"	18-7/8"	N/A	N/A	N/A
B27	4-3/8"	19-11/16"	21-7/8"	N/A	N/A	N/A
B30, BD30	4-3/8"	19-11/16"	24-7/8"	6-3/4"	19-11/16"	24-7/8"
VB3021	4-3/8"	16-11/16"	24-7/8"	N/A	N/A	N/A
B33	4-3/8"	19-11/16"	11-1/4"	N/A	N/A	N/A
B36, BD36	4-3/8"	19-11/16"	12-7/8"	6-3/4"	19-11/16"	30-7/8"
VB3621	4-3/8"	16-11/16"	12-7/8"	N/A	N/A	N/A
OC332484U, OC332490U, OC332496U	4-3/8"	19-11/16"	24-7/8"	N/A	N/A	N/A

# Cabinet Frame & Opening Dimensions



**NOTE: 96" TALL CABINETS TO BE SUPPLIED WITH LOOSE TOE KICK BOX (EXPOSED SIDES REQUIRE TSK96)**

# Cabinet Fronts Only - Availability Guide

CABINET FRONT FOR	SKU	RAISED PANEL WITH MOLDING		MITER FRAME RAISED PANEL		SHAKER		THERMOFOIL RAISED PANEL
		HBG CPW CTG	DCN PCB SMG	BPW LCB LCN	LTG RMG	FMG HCN	KCB NPW	HAW
W0930	CFOW0930	X	X	X	X	X	X	X
W0936	CFOW0936	X	X	X	X	X	X	X
W0942	CFOW0942	X	X	X	X	X	X	X
W1230	CFOW1230	X	X	X	X	X	X	X
W1236	CFOW1236	X	X	X	X	X	X	X
W1242	CFOW1242	X	X	X	X	X	X	X
W1530	CFOW1530	X	X	X	X	X	X	X
W1536	CFOW1536	X	X	X	X	X	X	X
W1542	CFOW1542	X	X	X	X	X	X	X
W1830	CFOW1830	X	X	X	X	X	X	X
W1836	CFOW1836	X	X	X	X	X	X	X
W1842	CFOW1842	X	X	X	X	X	X	X
W2130	CFOW2130	X	X	X	X	X	X	X
W2136	CFOW2136	X	X	X	X	X	X	X
W2142	CFOW2142	X	X	X	X	X	X	X
W2430	CFOW2430	X	X	X	X	X	X	X
W2436	CFOW2436	X	X	X	X	X	X	X
W2442	CFOW2442	X	X	X	X	X	X	X
W2730	CFOW2730	X	X	X	X	X	X	X
W2736	CFOW2736	X	X	X	X	X	X	X
W2742	CFOW2742	X	X	X	X	X	X	X
W3012	CFOW3012	X	X	X	X	X	X	X
W3015	CFOW3015	X	X	X	X	X	X	X
W3018	CFOW3018	X	X	X	X	X	X	X
W3024	CFOW3024	X	X	X	X	X	X	X
W3030	CFOW3030	X	X	X	X	X	X	X
W3036	CFOW3036	X	X	X	X	X	X	X
W3042	CFOW3042	X	X	X	X	X	X	X
W3315	CFOW3315	X	X	X	X	X	X	X
W3330	CFOW3330	X	X	X	X	X	X	X
W3336	CFOW3336	X	X	X	X	X	X	X
W3342	CFOW3342	X	X	X	X	X	X	X
W3612	CFOW3612	X	X	X	X	X	X	X
W3615	CFOW3615	X	X	X	X	X	X	X
W3618	CFOW3618	X	X	X	X	X	X	X
W3624	CFOW3624	X	X	X	X	X	X	X
W3630	CFOW3630	X	X	X	X	X	X	X
W3636	CFOW3636	X	X	X	X	X	X	X
W3642	CFOW3642	X	X	X	X	X	X	X
B12	CFOB12	X	X	X	X	X	X	X
B15	CFOB15	X	X	X	X	X	X	X
B18	CFOB18	X	X	X	X	X	X	X
B21	CFOB21	X	X	X	X	X	X	X
B24	CFOB24	X	X	X	X	X	X	X
B27	CFOB27	X	X	X	X	X	X	X
B30	CFOB30	X	X	X	X	X	X	X
B33	CFOB33	X	X	X	X	X	X	X
B36	CFOB36	X	X	X	X	X	X	X
U1884	CFOU1884	X	X	X	X	X	X	X
U1890	CFOU1890	X	X	X	X	X	X	X
U1896	CFOU1896	X	X	X	X	X	X	X
U2484	CFOU2484	X	X	X	X	X	X	X
U2490	CFOU2490	X	X	X	X	X	X	X
U2496	CFOU2496	X	X	X	X	X	X	X



